



- U.S.A. : **KUBOTA TRACTOR CORPORATION**
3401 Del Amo Blvd., Torrance, CA 90503, U.S.A.
Telephone : (310)370-3370
- Western Division : 1175 S. Guild Av., Lodi, CA 95240
Telephone : (209)334-9910
- Central Division : 14855 FAA Blvd., Fort Worth, TX 76155
Telephone : (817)571-0900
- Northern Division : 6300 at One Kubota Way, Groveport, OH 43125
Telephone : (614)835-1100
- Southeast Division : 1025 Northbrook Parkway, Suwanee, GA 30024
Telephone : (770)995-8855
- Canada : **KUBOTA CANADA LTD.**
5900 14th Avenue, Markham, Ontario, L3S 4K4, Canada
Telephone : (905)294-7477
- France : **KUBOTA EUROPE S.A.S**
19-25, Rue Jules Vercurysse, Z.I. BP88, 95101 Argenteuil Cedex, France
Telephone : (33)1-3426-3434
- Italy : **KUBOTA EUROPE S.A.S Italy Branch**
Via Grandi, 29 20068 Peschiera Borrome (MI) Italy
Telephone : (39)02-51650377
- Germany : **KUBOTA (DEUTSCHLAND) GmbH**
Senefelder Str. 3-5 63110 Rodgau /Nieder-Roden, Germany
Telephone : (49)6106-873-0
- U.K. : **KUBOTA (U.K.) LTD.**
Dormer Road, Thame, Oxfordshire, OX9 3UN, U.K.
Telephone : (44)1844-214500
- Spain : **KUBOTA ESPAÑA S.A.**
Avenida Recomba No.5, Poligno Industrial la Laguna, Leganes, 28914 (Madrid) Spain
Telephone : (34)91-508-6442
- Australia : **KUBOTA TRACTOR AUSTRALIA PTY LTD.**
25-29 Permas Way, Truganina, VIC 3029, Australia
Telephone : (61)-3-9394-4400
- Malaysia : **SIME KUBOTA SDN. BHD.**
No.3 Jalan Sepadu 25/123 Taman Perindustrian Axis,
Seksyen 25, 40400 Shah Alam, Selangor Darul Ehsan Malaysia
Telephone : (60)3-736-1388
- Philippines : **KUBOTA PHILIPPINES, INC.**
155 Panay Avenue, South Triangle Homes, 1103 Quezon City, Philippines
Telephone : (63)2-9201071
- Taiwan : **SHIN TAIWAN AGRICULTURAL MACHINERY CO., LTD.**
16, Fengping 2nd Rd, Taliuo Shiang Kaohsiung 83107, Taiwan R.O.C.
Telephone : (886)7-702-2333
- Indonesia : **P.T. KUBOTA INDONESIA**
Jalan Setyabudi 279, Semarang, Indonesia
Telephone : (62)-24-7472849
- Thailand : **SIAM KUBOTA CORPORATION CO., LTD.**
101/19-24 Moo 20, Navanakorn Industrial Estate, Tambon Khlongnueng, Amphur Khlongluang,
Pathumthani 12120, THAILAND
Telephone : (66)2-909-0300
- Korea : **KUBOTA KOREA CO., LTD.**
106-24 Mongsan-Ri, Mankyung-Up, Kimje-City, Chonrapuk-Do, KOREA
Telephone : (82)-63-544-5822
- India : **KUBOTA AGRICULTURAL MACHINERY INDIA PVT. LTD.**
Regus, Level 2 Altius, Olympia Tech Park, No.1 SIDCO Industrial Estate, Guindy, Chennai 600032, TN, India
Telephone : (91)-44-4299-4237
- Vietnam : **KUBOTA VIETNAM CO., LTD.**
Lot B-3A2-CN, My Phuoc 3 Industrial Park, Ben Cat District, Binh Duong Province, Vietnam
Telephone : (84)-650-3577-507

KUBOTA Corporation

English (Australia)
Code No. 3Y206-9971-1

OPERATOR'S MANUAL

KUBOTA TRACTOR

**MODELS M100GX·M110GX
M126GX·M135GX**



1AGAIJAP001A

M
1
0
0
G
X
·
M
1
1
0
G
X
·
M
1
2
6
G
X
·
M
1
3
5
G
X

READ AND SAVE THIS MANUAL



ABBREVIATION LIST

Abbreviations	Definitions
2WD	Two Wheel Drive
4WD	Four Wheel Drive
API	American Petroleum Institute
ASABE	American Society of Agricultural and Biological Engineers, USA
ASTM	American Society for Testing and Materials, USA
DIN	Deutsches Institut für Normung, GERMANY
DT	Dual Traction [4WD]
fpm	Feet Per Minute
GST	Glide Shift Transmission
Hi-Lo	High Speed-Low Speed
HST	Hydrostatic Transmission
m/s	Meters Per Second
PTO	Power Take Off
RH/LH	Right-hand and left-hand sides are determined by facing in the direction of forward travel
ROPS	Roll-Over Protective Structures
rpm	Revolutions Per Minute
r/s	Revolutions Per Second
SAE	Society of Automotive Engineers, USA
SMV	Slow Moving Vehicle

KUBOTA Corporation is ...

Since its inception in 1890, KUBOTA Corporation has grown to rank as one of the major firms in Japan.

To achieve this status, the company has through the years diversified the range of its products and services to a remarkable extent. Nineteen plants and 16,000 employees produce over 1,000 different items, large and small.

All these products and all the services which accompany them, however, are unified by one central commitment. KUBOTA makes products which, taken on a national scale, are basic necessities. Products which are indispensable. Products which are intended to help individuals and nations fulfill the potential inherent in their environment. KUBOTA is the Basic Necessities Giant.

This potential includes water supply, food from the soil and from the sea, industrial development, architecture and construction, and transportation.

Thousands of people depend on KUBOTA's know-how, technology, experience and customer service. You too can depend on KUBOTA.

UNIVERSAL SYMBOLS

As a guide to the operation of your tractor, various universal symbols have been utilized on the instruments and controls. The symbols are shown below with an indication of their meaning.

	Safety Alert Symbol		Position Control-Raised Position		Side Window Defroster
	Engine Warning		Position Control-Lowered Position		Empty
	Diesel Fuel		3-Point Lifting / Lowering		Full
	Engine-Rotational Speed		Lift Arm Height		PTO 540 rpm
	Hourmeter/Elapsed Operating Hours		Draft Control		PTO 1000 rpm
	Engine Coolant-Temperature		Remote Cylinder-Retract		Engine Intake/Combustion Air-Filter
	Diesel Preheat/Glow Plugs(Low Temperature Start Aid)		Remote Cylinder-Extend		Battery Charging Condition
	Parking Brake		Remote Cylinder-Float		Rev-limiter Control
	Engine Oil-Pressure		Hazard Warning Lights		Constant RPM Management
	Turn Signal		Headlight-Low Beam		Front Suspension
	Electrical Power-accessories		Headlight-High Beam		Regeneration
	Engine-Run		Four-Wheel Drive-On		Auto Regeneration (Switch)
	Engine-Start		Fast		Regeneration (Switch)
	Engine-Stop		Slow		Parked Regeneration
	Power Take-Off Clutch Control-Off (Disengaged) Position		Creep		Engine RPM Increase
	Power Take-Off Clutch Control-On (Engaged) Position		Windshield Wiper		Master System Warning
	Bi-Speed turn		Windshield Wiper Intermittent		Beacon Light
	Differential Lock, Front		Windshield Washer		
	Differential Lock, Rear		Audible Warning Device		
	Auto-Mode		Lock		
			Rear Window Defroster		
			Steering Wheel-Tilt Control		
			Steering Wheel-Telescope Control		

FOREWORD

You are now the proud owner of a KUBOTA Tractor. This tractor is a product of KUBOTA quality engineering and manufacturing. It is made of fine materials and under a rigid quality control system. It will give you long, satisfactory service. To obtain the best use of your tractor, please read this manual carefully. It will help you become familiar with the operation of the tractor and contains many helpful hints about tractor maintenance. It is KUBOTA's policy to utilize as quickly as possible every advance in our research. The immediate use of new techniques in the manufacture of products may cause some small parts of this manual to be outdated. KUBOTA distributors and dealers will have the most up-to-date information. Please do not hesitate to consult with them.



SAFETY FIRST

This symbol, the industry's "Safety Alert Symbol", is used throughout this manual and on labels on the machine itself to warn of the possibility of personal injury. Read these instructions carefully. It is essential that you read the instructions and safety regulations before you attempt to assemble or use this unit.



DANGER : Indicates an imminently hazardous situation which, if not avoided, will result in death or serious injury.



WARNING : Indicates a potentially hazardous situation which, if not avoided, could result in death or serious injury.



CAUTION : Indicates a potentially hazardous situation which, if not avoided, may result in minor or moderate injury.

IMPORTANT : Indicates that equipment or property damage could result if instructions are not followed.

NOTE : Gives helpful information.

CONTENTS

▲ SAFE OPERATION	▲ -1
SERVICING OF TRACTOR.....	1
SPECIFICATIONS.....	3
SPECIFICATION TABLE	3
TRAVELING SPEEDS	5
IMPLEMENT LIMITATIONS	6
INSTRUMENT PANEL AND CONTROLS.....	8
PRE-OPERATION CHECK	13
DAILY CHECK	13
OPERATING THE ENGINE.....	14
EXHAUST AFTERTREATMENT DEVICES.....	14
Diesel Oxidation Catalyst and Diesel Particulate Filter (DPF) Muffler	14
Handling Points.....	15
DPF Regeneration Process	15
Regeneration Operating Procedure.....	17
PM Warning Level and Required Procedures	18
Regeneration Operating Procedure.....	19
PM Warning Level and Required Procedures	20
Tips on DPF Regeneration	21
STARTING THE ENGINE	21
COLD WEATHER STARTING	26
Block Heater (if equipped)	26
STOPPING THE ENGINE.....	26
WARMING UP	26
Warm-up and Transmission Oil at Low Temperature Range	26
JUMP STARTING	27
OPERATING THE TRACTOR.....	28
OPERATING NEW TRACTOR	28
Do not Operate the Tractor at Full Speed for the First 50 Hours.....	28
Changing Lubricating Oil for New Tractors.....	28
BOARDING AND LEAVING THE TRACTOR	28
STARTING	28
Operator's Seat.....	28
Seat Belt	30
Instructional Seat.....	30
Steering Adjustment	31
Extendable Mirror	31
Light Switch	31
Turn Signal / Hazard Light Switch	31
With Trailer Connector.....	32
Horn Button.....	32
Work Light Switch (Front).....	32
Work Light Switch (Rear).....	32

Brake Pedals (Right and Left).....	33
Clutch Pedal	34
Power Shift / Range Shift Lever (PS. Lever)	35
DHC switch	36
Shuttle Lever.....	37
Creep Lever (if equipped).....	37
4WD / Bi-speed Turn Switch [4WD model].....	38
Hand Throttle Lever	39
Foot Throttle	39
Rev-limiter Control Dial.....	39
Parking Brake Lever	39
STOPPING.....	39
Stopping.....	39
CHECK DURING DRIVING	39
Immediately Stop the Engine if:	39
Easy Checker(TM).....	40
Fuel Gauge.....	41
Coolant Temperature Gauge.....	41
Tachometer.....	41
Hour / Trip Monitor.....	41
SIDE DIGITAL DISPLAY.....	42
Initial Setting.....	42
Factory-set Screen Display.....	44
ELECTRONIC ENGINE CONTROL.....	47
Rev-limiter Control Setting.....	47
RPM Dual Memory Setting	47
Constant RPM Management Control.....	50
AUTO MODE	51
Outline	51
Operation.....	53
Work Speed Display	54
Changing the Field Speed	55
Sensitivity Adjustment.....	56
Changing the Auto-Mode Setting.....	56
FRONT SUSPENSION	59
Outline	59
Suspension Switch	59
Ride Condition Damper Switch.....	61
Manual Control Mode	61
PARKING.....	62
Parking.....	62
OPERATING TECHNIQUES	62
Differential Lock.....	62
Rear Wheel Differential Lock Pedal.....	63
Front Wheel Differential Lock Switch.....	63
Operating the Tractor on a Road.....	64
Operating on Slopes and Rough Terrain.....	64
Transport the Tractor Safely.....	64
Directions for Use of Power Steering.....	64
Trailer Electrical Outlet	65
PTO	66

PTO OPERATION.....	66
PTO Clutch Control Switch.....	66
PTO Gear Shift Lever.....	67
PTO Gear Shift Lever.....	68
PTO Shaft Cover and Shaft Cap.....	68
THREE-POINT HITCH & DRAWBAR.....	69
3-POINT HITCH.....	70
Selecting the holes of Lower Links.....	70
Adjusting Lateral Float.....	70
Selecting the Top Link Mounting Holes.....	70
Drawbar.....	70
Remote Hitch UP / DOWN Switch.....	71
Lifting Rod (Left).....	71
Lifting Rod (Right).....	71
Top Link.....	72
Telescopic Stabilizers.....	72
Quick Hitch (Hook type).....	72
DRAWBAR.....	74
Adjusting Drawbar Length.....	74
Swing Drawbar.....	74
HYDRAULIC UNIT.....	75
3-POINT HITCH CONTROL SYSTEM.....	75
Terminology.....	75
Mode Selector Switch.....	76
Position Control Mode.....	76
Mixed Draft Control Mode.....	77
Float Control.....	77
Bottom Limit Control Dial.....	78
Lift Arm Top Limit Adjustment Dial.....	78
3-Point Hitch Lowering Speed Adjustment Dial.....	78
3-Point Hitch Lowering Lock Lever.....	78
3-P. Quick Raise / Lower Switch.....	79
3-Point Hitch's Position Lock.....	80
REMOTE HYDRAULIC CONTROL SYSTEM.....	80
Remote Control Valve.....	80
Remote Control Valve Lever.....	80
Remote Control Valve Coupler Connecting and Disconnecting.....	81
Adjusting the flow rate.....	81
Remote Couplers Spillage Collector.....	82
Hydraulic Control Unit Use Reference Chart.....	83
TIRES, WHEELS AND BALLAST.....	84
TIRES.....	84
Inflation Pressure.....	84
Dual Tires.....	84
WHEEL ADJUSTMENT.....	85
Front Wheels (with four wheel drive).....	85
Adjusting Front Wheel Turning Stopper Bolt.....	86
Rear Wheels.....	87
BALLAST.....	88
Front Ballast.....	88

Rear Ballast	89
CAB OPERATION	90
DOOR AND WINDOW	90
Locking and Unlocking the Door	90
Opening the Door	90
Rear Window	90
Sun Roof	91
Emergency Exit	91
DOME LIGHT	91
Dome Light	91
WIPER	91
Front Wiper / Washer Switch	91
Rear Wiper / Washer Switch	92
Using the Wipers in Cold Season	92
AIR CONDITIONER	92
Airflow	92
Air Control Vent	93
Control Panel	93
Operation	94
INSTALLING THE IMPLEMENT CONTROL BOX	96
ELECTRICAL OUTLET	96
Electrical Outlet	96
BEACON LIGHT	97
Beacon Light Switch	97
MAINTENANCE	98
SERVICE INTERVALS	98
LUBRICANTS, FUEL AND COOLANT	102
PERIODIC SERVICE	104
HOW TO OPEN THE HOOD	104
Hood	104
Side Cover	104
DAILY CHECK	104
Walk Around Inspection	105
Checking and Refueling	105
Checking Water Separator	105
Checking Engine Oil Level	106
Checking Transmission Fluid Level	106
Checking Coolant Level	106
Cleaning Evacuator Valve	107
Cleaning Grill, Radiator and Screen	107
Checking DPF Muffler	109
Checking Brake Pedal	109
Checking Gauges, Meter and Easy Checker(TM)	109
Checking Head Light, Turn Signal / Hazard Light etc.	109
Checking Seat Belt	109
Checking Movable Parts	109
EVERY 50 HOURS	110
Checking Engine Start System	110
Checking Wheel Bolt Torque	111
Checking Tie-rod Dust Cover	111

EVERY 100 HOURS	111
Lubricating Grease Fittings	111
Cleaning Air Cleaner Primary Element	113
Adjusting Fan Belt Tension	114
Checking Fuel Line	114
Adjusting Brake Pedal	115
Adjusting Parking Brake Lever	115
Checking Battery Condition	116
EVERY 200 HOURS	117
Checking Radiator Hose and Clamp	117
Checking Oil Cooler Line	119
Checking Intake Air Line	119
Checking Power Steering Line	119
Adjusting Toe-in	120
Draining Fuel Tank Water	120
Cleaning Inner Air Filter	121
Cleaning Fresh Air Filter	121
Adjusting Air-Conditioner Belt Tension	122
EVERY 300 HOURS	122
Replacing Hydraulic Oil Filter	122
EVERY 400 HOURS	123
Changing Engine Oil	123
Replacing Engine Oil Filter	124
Checking Fan / Air-conditioner Belt Tension	124
Cleaning Pre-Fuel Filter	126
Replacing Fuel Filter	126
Cleaning Water Separator	126
Cleaning Fuel Solenoid Pump Element	127
EVERY 600 HOURS	128
Changing Transmission Fluid	128
Changing Front Differential Case Oil	129
Changing Front Axle Gear Case Oil	129
Adjusting Front Axle Pivot	130
Adjusting King-pin Pivot	130
EVERY 800 HOURS	130
Replacing Fuel Filter	130
Adjusting Engine Valve Clearance	130
EVERY 1500 HOURS	130
Cleaning Fuel Injector Nozzle Tip	130
Checking and Cleaning EGR Cooler	130
Checking Accumulator	130
EVERY 3000 HOURS	130
Checking Turbocharger	130
Checking Supply Pump	130
Checking Intake Air Heater	131
Checking and Cleaning EGR System	131
Cleaning DPF Muffler	131
EVERY 1 YEAR	131
Replacing Air Cleaner Primary Element and Secondary Element	131
Checking Air-Conditioner Pipe and Hose	131
Checking CAB Isolation Cushion	131
Checking Exhaust Manifold	131

Checking DPF Differential Pressure Sensor Pipe	131
Checking EGR Pipe.....	131
EVERY 2 YEARS.....	131
Flushing Cooling System and Changing Coolant	131
Anti-Freeze	132
Replacing Radiator Hose (Water pipes)	133
Replacing Power Steering Hose.....	133
Replacing Fuel Hose	133
Replacing Oil Cooler Line	133
Replacing Intake Air Line.....	133
Replacing DPF Differential Pressure Sensor Hose	133
Replacing Boost Sensor Hose.....	133
Replacing Parking Brake Cable.....	133
Replacing Brake Hose	133
Replacing Clutch Hose	133
Replacing Differential Lock Hose.....	133
Replacing Master Cylinder Kit	134
Replacing Equalizer Kit.....	134
Replacing Brake Seal 1 and 2	134
Replacing Lift Cylinder Hose	134
Replacing Air Conditioner Hose.....	134
Replacing Suspension Hose.....	134
SERVICE AS REQUIRED.....	134
Bleeding Fuel System.....	134
Bleeding Brake System	135
Draining Clutch Housing Water	135
Replacing Fuse.....	135
Replacing Slow-Blow Fuses	137
Replacing Light Bulb.....	138
Replacing Head Lamp	138
Lubricating Points	138
Adding Washer Liquid.....	139
Checking the Amount of Refrigerant (gas)	139
STORAGE	140
TRACTOR STORAGE	140
REMOVING THE TRACTOR FROM STORAGE.....	140
TROUBLESHOOTING.....	141
ENGINE TROUBLESHOOTING	141
POWER SHIFT/RANGE SHIFT TROUBLE SHOOTING	143
OPTIONS.....	145
APPENDICES.....	146
SIDE DIGITAL DISPLAY.....	146
Changing the Information Displayed.....	146
Information Displayed and its Handling	147
Displaying and Using the Work History	150
Measuring the Distance	152
Changing the Units and Dates.....	152
INDEX	154



SAFE OPERATION

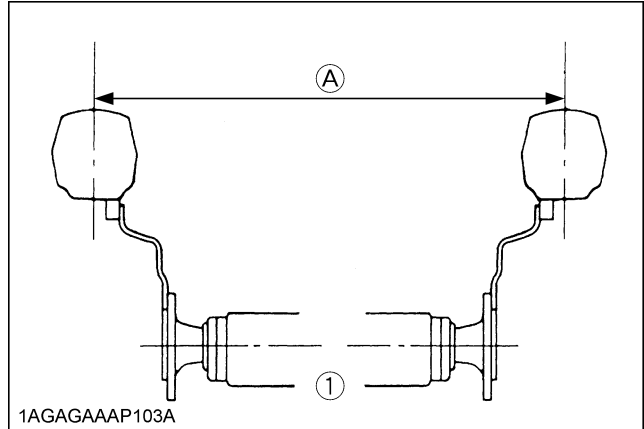
Careful operation is your best insurance against an accident.

Read and understand this manual carefully before operating the tractor.

All operators, no matter how much experience they may have, should read this and other related manuals before operating the tractor or any implement attached to it. It is the owner's obligation to instruct all operators in safe operation.

1. BEFORE OPERATING THE TRACTOR

1. Know your equipment and its limitations. Read this entire manual before attempting to start and operate the tractor.
2. Pay special attention to the danger, warning and caution labels on the tractor.
3. Do not operate tractor or any implement attached to it while under the influence of alcohol, medication, controlled substances or while fatigued.
4. Before allowing other people to use your tractor, explain how to operate and have them read this manual before operation.
5. Never wear loose, torn, or bulky clothing around tractor. It may catch on moving parts or controls, leading to the risk of an accident. Use additional safety items, e.g. hard hat, safety boots or shoes, eye and hearing protection, gloves, etc., as appropriate or required.
6. Do not allow passengers to ride on any part of the tractor at anytime. The operator must remain in the tractor seat during operation.
7. Check brakes, clutch, linkage pins and other mechanical parts for improper adjustment and wear. Replace worn or damaged parts promptly. Check the tightness of all nuts and bolts regularly. (For further details, see "MAINTENANCE" section.)
8. Keep your tractor clean. Dirt, grease, and trash build up may contribute to fires and lead to personal injury.
9. Use only implements meeting the specifications listed under "IMPLEMENT LIMITATIONS" in this manual or implements approved by KUBOTA.
10. Use proper weights on the front or rear of the tractor to reduce the risk of upsets. When using the front loader, put an implement or ballast on the 3-point hitch to improve stability. Follow the safe operating procedures specified in the implement or attachment manual.
11. The narrower the tread, the greater the risk of a tractor upset. For maximum stability, adjust the wheels to the widest practical tread width for your application. (See "TIRES, WHEELS AND BALLAST" section.)
12. Do not modify the tractor. Unauthorized modification may affect the function of the tractor, which may result in personal injury.

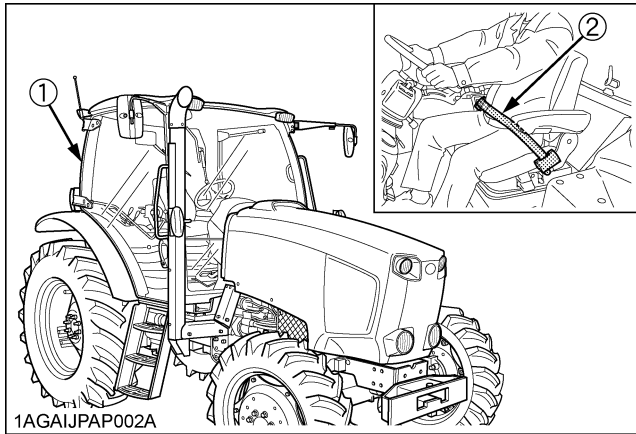


(1) Rear wheels

(A) Tread Width

◆ CAB, ROPS

1. KUBOTA recommends the use of a CAB or Roll Over Protective Structures (ROPS) and seat belt in almost all applications. This combination will reduce the risk of serious injury or death, should the tractor be upset. Check for overhead clearance which may interfere with a CAB or ROPS.
2. If the CAB or ROPS is loosened or removed for any reason, make sure that all parts are reinstalled correctly before operating the tractor.
3. Never modify or repair any structural member of a CAB or ROPS because welding, bending, drilling, grinding, or cutting may weaken the structure.
4. A damaged CAB or ROPS structure must be replaced, not repaired or revised.
5. If any structural member of the CAB or ROPS is damaged, replace the entire structure at your local KUBOTA Dealer.
6. Always use the seat belt if the tractor has a CAB or ROPS. Do not use the seat belt if there is no CAB or ROPS. Check the seat belt regularly and replace if frayed or damaged.



(1) CAB
(2) Seat belt

2. OPERATING THE TRACTOR

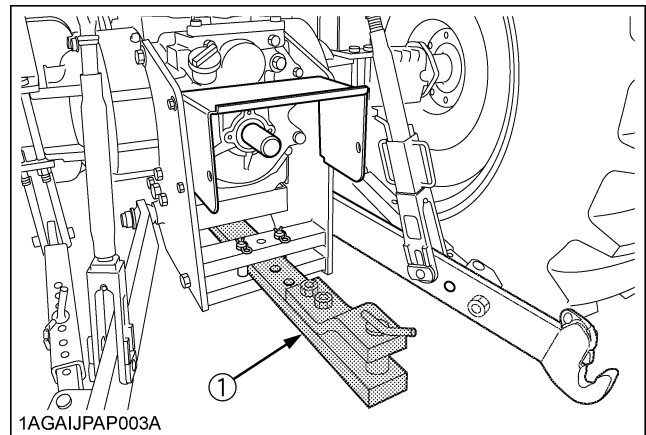
Operator safety is a priority. Safe operation, specifically with respect to overturning hazards, entails understanding the equipment and environmental conditions at the time of use. Some prohibited uses which can affect overturning hazards include traveling and turning with implements and loads carried too high etc. This manual sets forth some of the obvious risks, but the list is not, and cannot be, exhaustive. It is the operator's responsibility to be alert for any equipment or environmental condition that could compromise safe operation.

◆ Starting

1. Always sit in the operator's seat when starting engine or operating levers or controls. Adjust seat per instructions in the operating the tractor section. Never start engine while standing on the ground.
2. Before starting the engine, make sure that all levers (including auxiliary control levers) are in their neutral positions, that the parking brake is engaged, and that both the clutch and the Power Take-Off (PTO) are disengaged or "OFF".
Fasten the seat belt if the tractor has a CAB, a fixed ROPS or a foldable ROPS in the upright and locked position.
3. Do not start engine by shorting across starter terminals or bypassing the safety start switch. Machine may start in gear and move if normal starting circuitry is bypassed.
4. Do not operate or idle engine in a non-ventilated area. Carbon monoxide gas is colorless, odorless, and deadly.
5. Check before each use that operator presence controls are functioning correctly. Test safety systems. (See "Checking Engine Start System" in "EVERY 50 HOURS" in "PERIODIC SERVICE" section.)
Do not operate unless they are functioning correctly.

◆ Working

1. Pull only from the drawbar. Never hitch to axle housing or any other point except drawbar; such arrangements will increase the risk of serious personal injury or death due to a tractor upset.



(1) Drawbar

2. For trailing PTO-driven implements, set the drawbar to the towing position.
3. Attach pulled or towed loads to the drawbar only.
4. Keep all shields and guards in place. Replace any that are missing or damaged.
5. Avoid sudden starts. To avoid upsets, slow down when turning, on uneven ground, and before stopping.
6. The tractor cannot turn with the rear wheel or 4-wheel differential locked and attempting to do so could be dangerous.
7. Do not operate near ditches, holes, embankments, or other ground surface features which may collapse under the tractor's weight. The risk of tractor upset is even higher when the ground is loose or wet. Tall grass can hide obstacles, walk the area first to be sure.
8. Watch where you are going at all times. Watch for and avoid obstacles. Be alert at row ends, near trees, and other obstructions.
9. When working in groups, always let the others know what you are going to do before you do it.
10. Never try to get on or off a moving tractor.
11. Always sit in the operator's seat when operating levers or controls.
12. Do not use "Bi-speed Turn" at high speed.
13. "Bi-Speed Turn" enables short and fast turns, therefore, become familiar with its performance before operating in close or confined areas.
14. Do not stand between tractor and implement or trailed vehicle unless parking brake is applied.

◆ Instructional seat (if equipped)

1. Instructional seat is provided only for training and instructing operators or diagnosing machine problems.
2. It is not intended to carry children nor any other person for any other purpose.
3. Always wear your seat belt and stabilize your body by holding the handrail on the CAB frame.

- Use caution to avoid the risks of obstructing operator's view, falling from the machine and interfering with controls.

◆ Safety for children

Tragedy can occur if the operator is not alert to the presence of children. Children generally are attracted to machines and the work they do.

- Never assume that children will remain where you last saw them.
- Keep children out of the work area and under the watchful eye of another responsible adult.
- Be alert and shut your machine down if children enter the work area.
- Never carry children on your machine. There is no safe place for them to ride. They may fall off and be run over or interfere with your control of the machine.
- Never allow children to operate the machine even under adult supervision.
- Never allow children to play on the machine or on the implement.
- Use extra caution when backing up. Look behind and down to make sure area is clear before moving.

◆ Operating on slopes

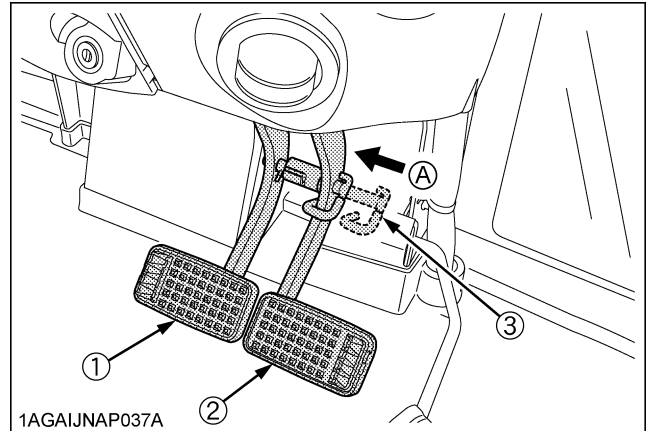
Slopes are a major factor related to loss-of-control and tip-over accidents, which can result in severe injury or death. All slopes require extra caution.

- To avoid upsets, always back up steep slopes. If you cannot back up the slope or if you feel uneasy on it, do not operate on it. Stay off slopes too steep for safe operation.
- Driving forward out of a ditch, mired condition or up a steep slope increases the risk of a tractor to be upset backward. Always back out of these situations. Extra caution is required with four-wheel drive models because their increased traction can give the operator false confidence in the tractor's ability to climb slopes.
- Keep all movement on slopes slow and gradual. Do not make sudden changes in speed, direction or apply brake and make sudden motions of the steering wheel.
- Avoid disengaging the clutch or changing gears speed when climbing or going down a slope. If on a slope disengaging the clutch or changing gears to neutral could cause loss of control.
- Special attention should be made to the weight and location of implements and loads as such will affect the stability of the tractor.
- To improve stability on slope, set widest wheel tread as shown in "TIRES, WHEELS AND BALLAST" section.
Follow recommendations for proper ballasting.
- To avoid free wheeling:
 - Do not shift the shuttle lever while on a slope.
 - Stop completely by using the brake and by depressing the clutch pedal, then shift the shuttle lever.

- Start off after selecting shuttle direction, by releasing the clutch pedal.

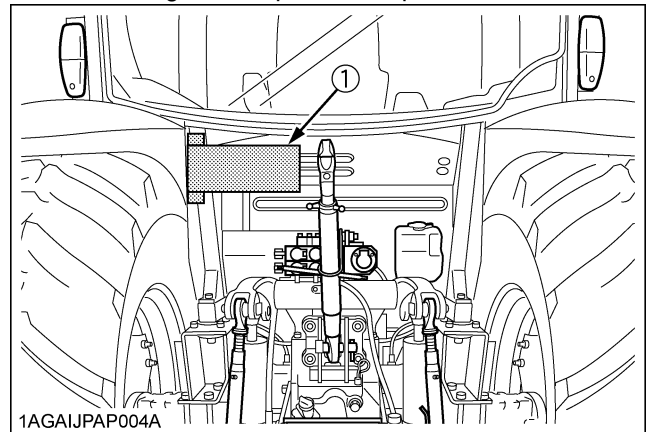
◆ Driving the tractor on the road

- Lock the two brake pedals together to help assure straight-line stops. Uneven braking at road speeds could cause the tractor to tip over.



- (1) Brake Pedal (LH) (A) Whenever travelling on the road
 (2) Brake Pedal (RH)
 (3) Brake Pedal Lock

- Check the front wheel engagement. The braking characteristics are different between two and four wheel drive. Be aware of the difference and use carefully.
- Always slow the tractor down before turning. Turning at high speed may tip the tractor over.
- Observe all local traffic and safety regulations. Use the registration plate as required.

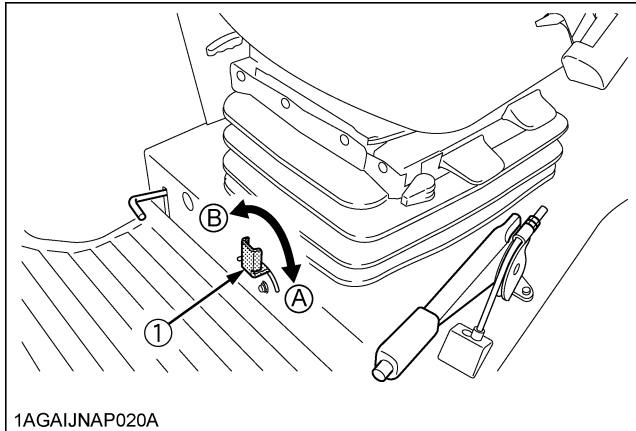


- (1) Registration plate

- Turn the headlights on. Dim them when meeting another vehicle.
- Drive at speeds that allow you to maintain control at all times.
- Do not apply the differential lock while traveling at road speeds. The tractor may run out of control.

▲-4 SAFE OPERATION

8. Avoid sudden motions of the steering wheel as they can lead to a dangerous loss of stability. The risk is especially great when the tractor is traveling at road speeds.
9. Do not operate an implement while the tractor is on the road. Lock the 3-point hitch in the raised position.
10. Set the implement lowering control in the "LOCK" position to hold the implement in the raised position.



(1) 3-point hitch lowering lock lever

(A) "LOCK"
(B) "UNLOCK"

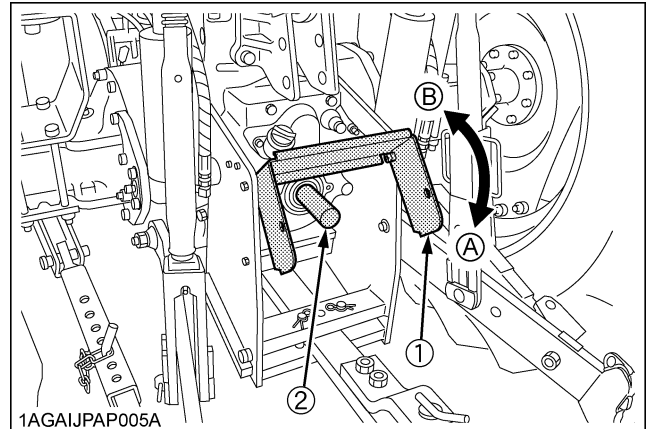
3. PARKING THE TRACTOR

1. Disengage the PTO, lower all implements to the ground, place all control levers in their neutral positions, set the parking brake, stop the engine, remove the key from the ignition and lock the cab door (if equipped). Leaving transmission in gear with the engine stopped will not prevent tractor from rolling.
2. Make sure that the tractor has come to a complete stop before dismounting.
3. Avoid parking on steep slopes, if at all possible park on a firm and level surface; if not, park across a slope with chock the wheels.
Failure to comply with this warning may allow the tractor to move and could cause injury or death.

4. OPERATING THE PTO

1. Wait until all moving components have completely stopped before getting off the tractor, connecting, disconnecting, adjusting, cleaning, or servicing any PTO driven equipment.

2. Keep the PTO shaft cover in place at all times. Replace the PTO shaft cap when the shaft is not in use.



(1) PTO Shaft cover
(2) PTO Shaft cap

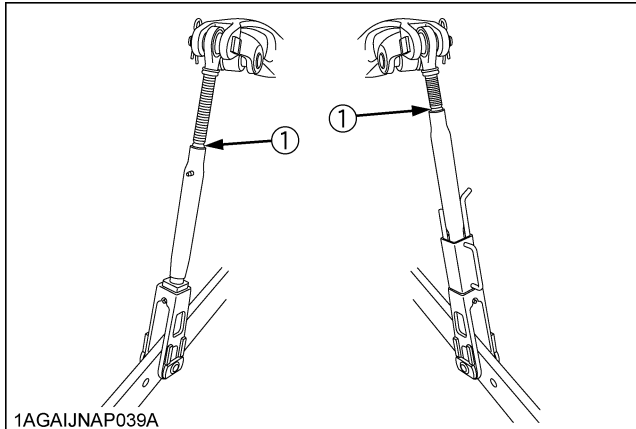
(A) "NORMAL POSITION"
(B) "RAISED POSITION"

3. Before installing or using PTO driven equipment, read the manufacturer's manual and review the safety labels attached to the equipment.
To prevent PTO driven equipment from improper or unsafe use, select the lower speed (540rpm) unless the higher one is specifically recommended as safe by the equipment manufacture.
4. When operating stationary PTO driven equipment, always apply the tractor parking brake and place chocks behind and in front of the rear wheels. Stay clear of all rotating parts. Never step over rotating parts.

5. USING 3-POINT HITCH

1. Use the 3-point hitch only with equipment designed for 3-point hitch usage.
2. When using a 3-point hitch mounted implement, be sure to install the proper counterbalance weight on the front of the tractor.

3. To avoid injury from separation:
Do not extend lift rod beyond the groove on the threaded rod.



1AGAIJNAP039A

(1) Groove

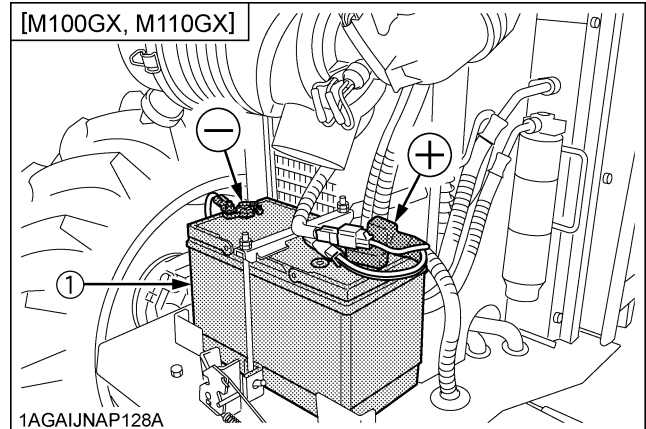
4. Use [UP-DOWN] switch or lever only on farm fields.
For all other application, use hydraulic lever to move attachment.

6. SERVICING THE TRACTOR

Before servicing the tractor, park it on a firm, flat and level surface, set the parking brake, lower all implements to the ground, place the gear shift lever in neutral, stop the engine and remove the key.

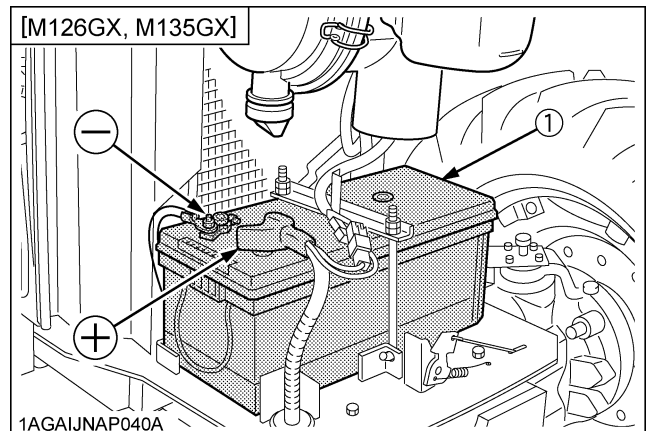
1. Allow the tractor time to cool off before working on or near the engine, muffler, radiator, etc.
2. Do not remove radiator cap while coolant is hot. When cool, slowly rotate cap to the first stop and allow sufficient time for excess pressure to escape before removing the cap completely. If the tractor has a coolant recovery tank, add coolant or water to the tank, not the radiator. (See "Checking Coolant Level" in "DAILY CHECK" in "PERIODIC SERVICE" section.)
3. Always stop the engine before refueling. Avoid spills and overfilling.
4. Do not smoke when working around battery or when refueling. Keep all sparks and flames away from battery and fuel tank. The battery presents an explosive hazard, because it gives off hydrogen and oxygen especially when recharging.
5. Before "jump starting" a dead battery, read and follow all of the instructions. (See "JUMP STARTING" in "OPERATING THE ENGINE" section.)
6. Keep first aid kit and fire extinguisher handy at all times.
7. Disconnect the battery's ground cable before working on or near electric components.

8. To avoid the possibility of battery explosion, do not use or charge the refillable type battery if the fluid level is below the LOWER (lower limit level) mark. Check the fluid level regularly and add distilled water as required so that the fluid level is between the UPPER and LOWER levels.
9. To avoid sparks from an accidental short circuit, always disconnect the battery's ground cable (-) first and reconnect it last.



1AGAIJNAP128A

(1) Battery

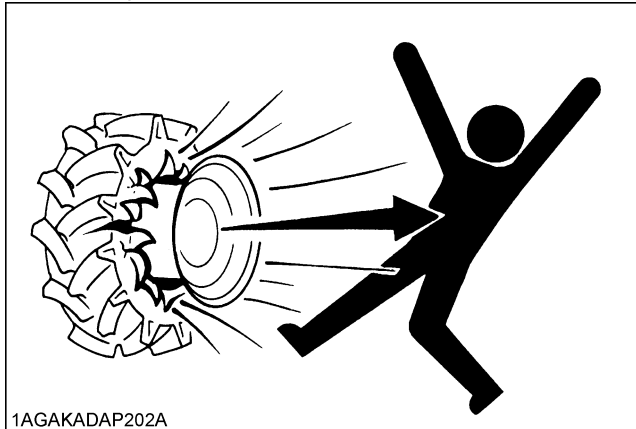


1AGAIJNAP040A

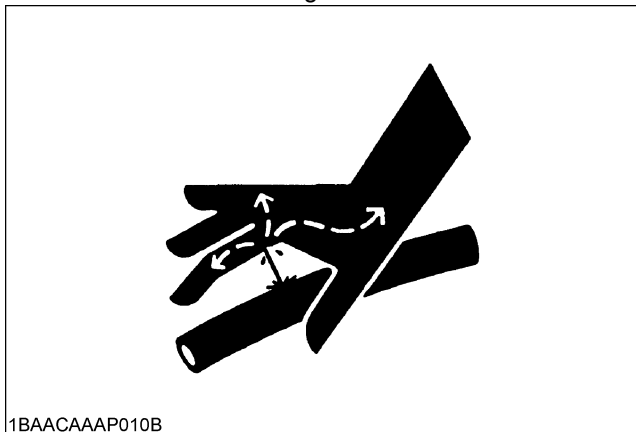
(1) Battery

10. Do not attempt to mount a tire on a rim. This should be done by a qualified person with the proper equipment.

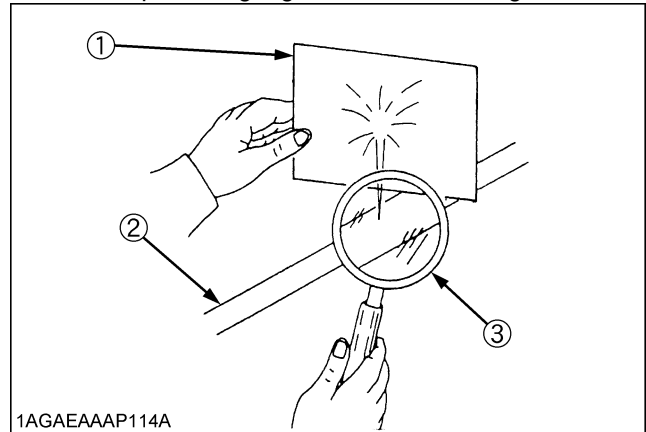
11. Always maintain the correct tire pressure. Do not inflate tires above the recommended pressure shown in the operator's manual.



12. Securely support the tractor when either changing wheels or adjusting the wheel tread width.
13. Make sure that wheel bolts have been tightened to the specified torque.
14. Disconnect the battery's ground cable and stop the engine to avoid the possibility of the machine runaway due to 4WD braking system during testing, service or repair with only rear wheels off the ground.
15. Do not work under any hydraulically supported devices. They can settle, suddenly leak down, or be accidentally lowered. If it is necessary to work under tractor or any machine elements for servicing or adjustment, securely support them with stands or suitable blocking beforehand.
16. Escaping hydraulic fluid under pressure has sufficient force to penetrate skin, causing serious personal injury. Before disconnecting hydraulic lines, be sure to release all residual pressure. Before applying pressure to the hydraulic system, make sure that all connections are tight and that all lines, pipes, and hoses are free of damage.



17. Fluid escaping from pinholes may be invisible. Do not use hands to search for suspected leaks; use a piece of cardboard or wood. Use of safety goggles or other eye protection is also highly recommended. If injured by escaping fluid, see a medical doctor at once. This fluid will produce gangrene or severe allergic reaction.



- (1) Cardboard
 (2) Hydraulic line
 (3) Magnifying glass

18. Do not open high-pressure fuel system. High-pressure fluid remaining in fuel lines can cause serious injury. Do not disconnect nor attempt to repair fuel lines, sensors, or any other components between the high-pressure fuel pump and injectors on engines with high pressure common rail fuel system.
19. To avoid hazardous high voltage, turn the key switch to the OFF position if it is necessary to check to repair the computer, harness or connectors.
20. During Diesel Particulate Filter (hereinafter called DPF) regenerating operations, exhaust gases and exhaust filter components reach temperatures hot enough to burn people, or ignite or melt common materials.
21. Keep tractor away from people, animals or structures which may be susceptible to harm or damage from hot exhaust gases.
22. To prevent fires, keep the DPF muffler and its surroundings clear of anything flammable and keep clean at all times.
23. During regeneration, white exhaust gas may be visible. Do not allow regeneration in a non-ventilated space.
24. During regeneration, do not leave the tractor.
25. Before servicing a tractor equipped with the front suspension, be sure to lower the machine to the lowest position.
26. The front suspension hydraulic circuit is still under high pressure after the engine has stopped. Do not disconnect the pipes and/or hoses because you may get injured by high-pressure oil. If pipes and/or hoses are found worn or damaged, consult your local KUBOTA Dealer for this service.

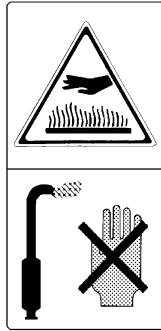
7. DANGER, WARNING AND CAUTION LABELS

- (1) Part No. TA040-4957-1
Do not get your hands close to engine fan and fan belt.



1AGAIAZAP110A

- (2) Part No. 3N300-4958-1
Do not touch hot surface like muffler, etc.



1AGAIAZAP071A

- (3) Part No. 3N600-4958-1
Do not touch hot surface like supply pump, etc.



1AGAIDXAP073A

- (4) Part No. 3Y205-9868-1

⚠ CAUTION

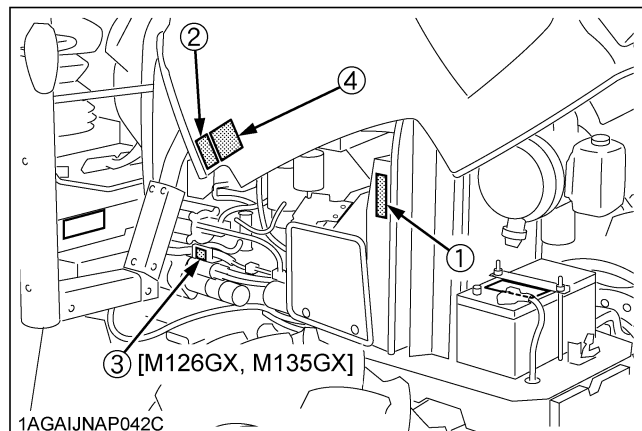
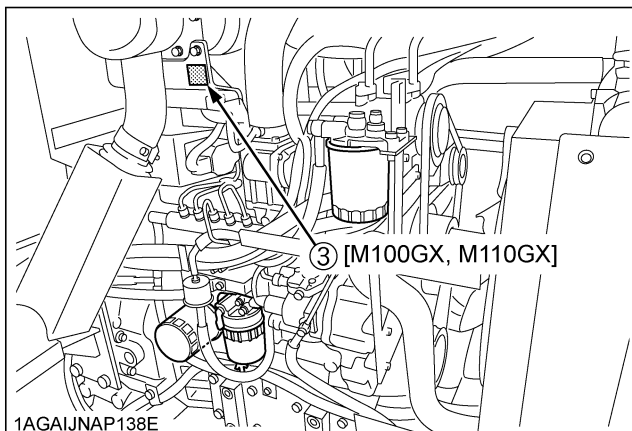
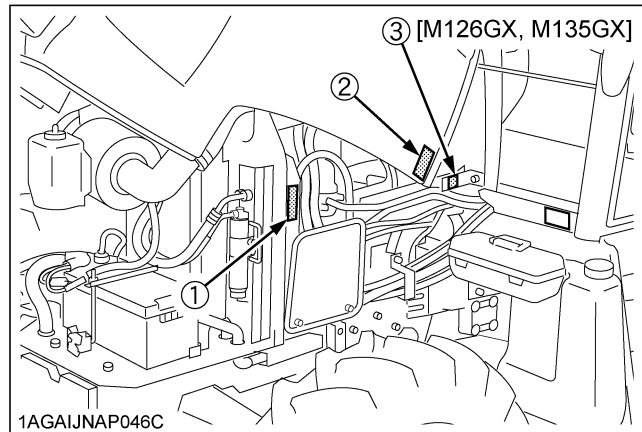
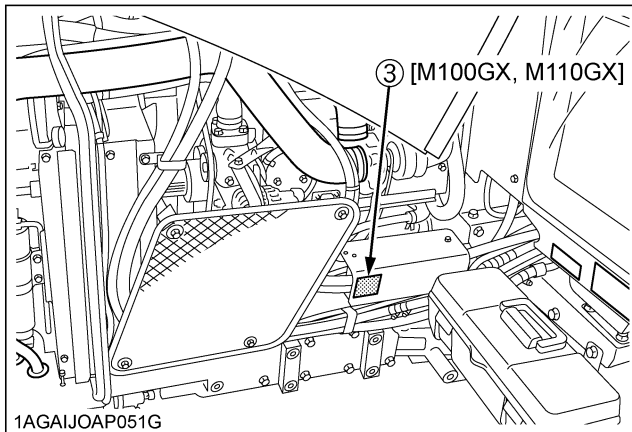
TO AVOID PERSONAL INJURY:

When the Diesel Particulate Filter(DPF) is in the regenerating mode, the exhaust gas and the DPF muffler become hot.

During regeneration, take into account that the muffler will be very hot and keep the machine away from other people, animals, plants, and flammable material.

Also keep the area near the DPF muffler clean and away from flammable material.

1AGAIJNAP149A



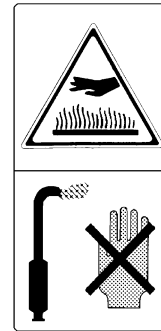
1AGAIJPAP006A

(1) Part No. 3Y205-9835-1

	 DANGER
	<p>TO AVOID POSSIBLE INJURY OR DEATH FROM A MACHINE RUNAWAY.</p> <p>1. Do not start engine by shorting across starter terminals or bypassing the safety start switch. Machine may start in gear and move if normal starting circuitry is bypassed.</p> <p>2. Start engine only from operator's seat with transmission and PTO OFF. Never start engine while standing on the ground.</p>

1AGAIJNAP153A

(3) Part No. 32310-4958-1
Do not touch hot surface like muffler, etc.

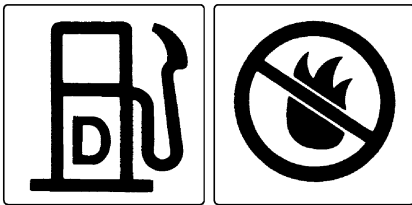


1AGAIAZAP071A

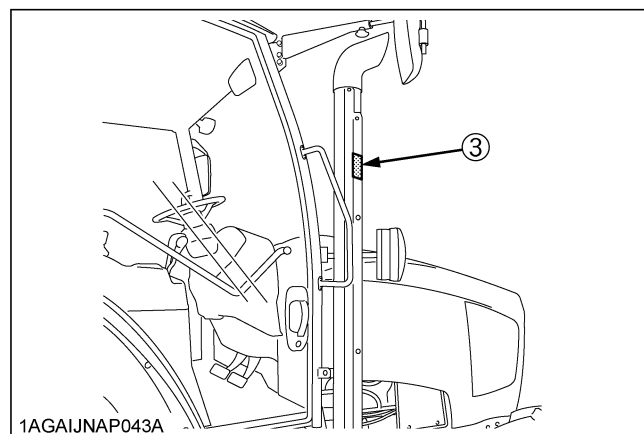
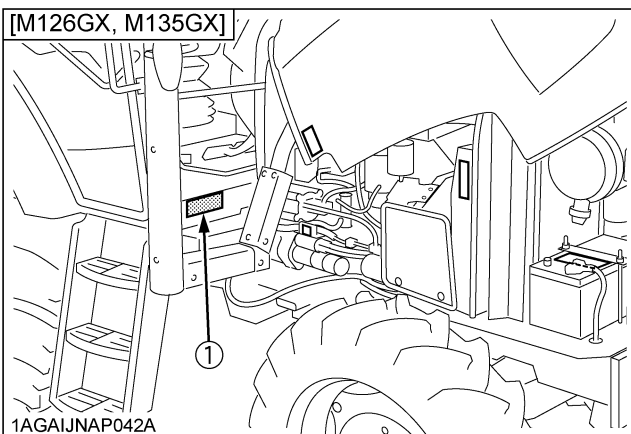
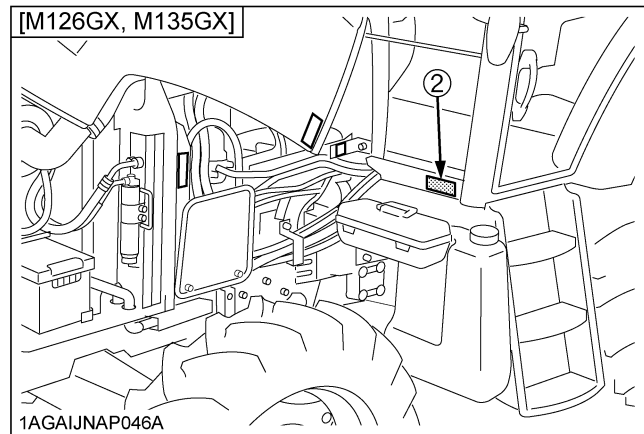
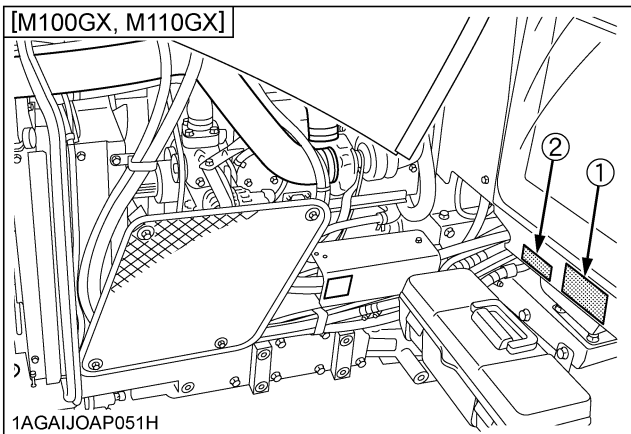
(2) Part No. TA040-4956-2

Diesel fuel only

No fire



1AGAMAAP3840



1AGAIJPAP007A

(1) Part No. 3F240-9836-2

⚠ CAUTION**TO AVOID PERSONAL INJURY:**

1. Read and understand the operator's manual before operation.
2. Before starting the engine, make sure that everyone is at a safe distance from tractor and the PTO is off.
3. Do not allow passengers on the tractor at any time.
4. Before allowing other people to use the tractor, have them read the operator's manual.
5. Check the tightness of nuts and bolts regularly.
6. Keep all shields in place and stay away from all moving parts.
7. Lock the two brake pedals together before driving on the road.
8. Slow down for turns, or rough roads, or when applying individual brakes.
9. On public roads use SMV emblem and hazard lights, if required by local traffic and safety regulations.
10. Pull only from the drawbar.
11. Before dismounting, lower the implement to the ground, set the parking brake, stop the engine and remove the key.
12. Securely support tractor and implements before working underneath.

1AGAICHAP113A

(2) Part No. 3Y205-9832-2

⚠ WARNING**BEFORE DISMOUNTING TRACTOR:**

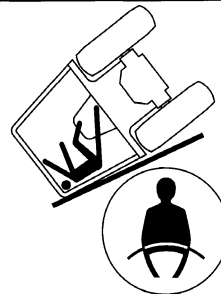
1. **ALWAYS SET PARKING BRAKE.**
Leaving transmission in gear with the engine stopped will not prevent tractor from rolling.
2. **PARK ON LEVEL GROUND WHENEVER POSSIBLE.**
If parking on a slope, position tractor across the slope.
3. **LOWER ALL IMPLEMENTS TO THE GROUND.**
Failure to comply to this warning may allow the wheels to slip, and could cause injury or death.
4. **STOP THE ENGINE.**

1AGAIJNAP151A

(3) Part No. 3Y205-9831-1

⚠ WARNING

TO AVOID FREE WHEELING WHEN SHIFTING THE SHUTTLE LEVER WHILE ON A SLOPE:
Stop completely by using the brake and by depressing the clutch pedal.
Start off after selecting shuttle direction by releasing the clutch pedal.

⚠ WARNING**TO AVOID INJURY OR DEATH FROM ROLL-OVER:**

Always use seat belt when driving.

1AGAIJNAP150A

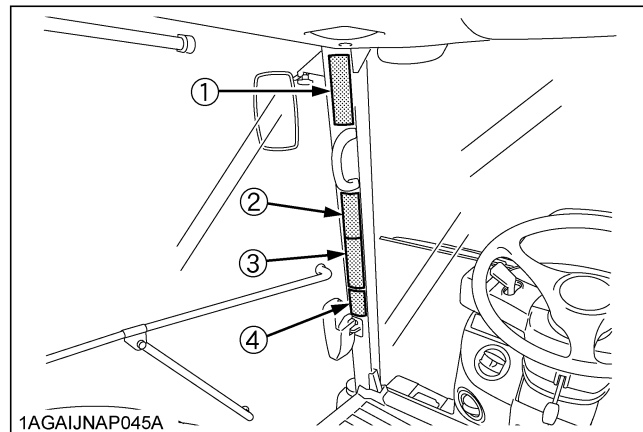
(4) Part No. 3Y205-9778-1

[If optional instructional seat is installed]

⚠ CAUTION

- Instructional seat is provided only for training and instructing operators or diagnosing machine problems.
- It is not intended to carry children nor any other person for any other purpose.
- Always wear your seat belt and stabilize your body by holding the handrail on the CAB frame.
- Use caution to avoid the risks of obstructing operator's view, falling from the machine and interfering with controls.

1AGAIJNAP157A



1AGAIJNAP045A

1AGAIJNAP158A

(1) Part No. 3Y565-9855-1 [Front suspension type]

⚠ CAUTION

TO AVOID PERSONAL INJURY:
Before operating the switches for the front suspension, make sure the area near the machine is clear of all persons and objects.

1AGAIJNAP154A

(2) Part No. 3Y205-9833-1

⚠ WARNING

TO AVOID MACHINE RUNAWAY DUE TO 4WD BRAKING SYSTEM:
Do not run engine with only rear wheels off ground.

⚠ WARNING



TO AVOID PERSONAL INJURY:
Use "Bi-Speed Turn" only in low gears and slow speed. Do not use "Bi-Speed Turn" in high gears or road speed.

1AGAIJNAP152A

(3) Part No. 3F240-4966-1

⚠ CAUTION

USE [UP-DOWN] ONLY ON FARM FIELDS. FOR ALL OTHER APPLICATIONS, USE HYDRAULIC LEVER TO MOVE ATTACHMENT.

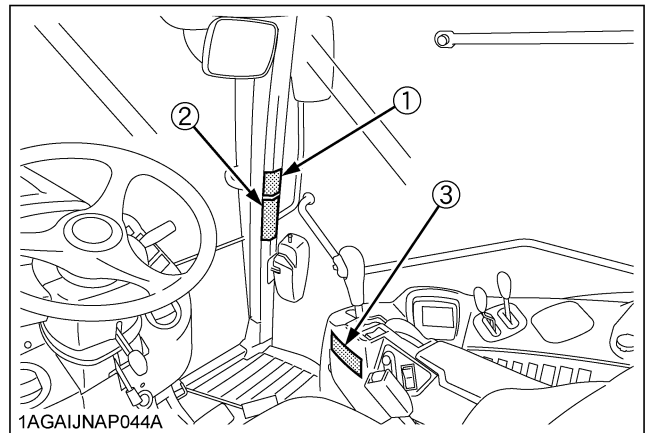
1AGAIBIAP1800

(4) Part No. 3T565-9859-2 [Front suspension type]

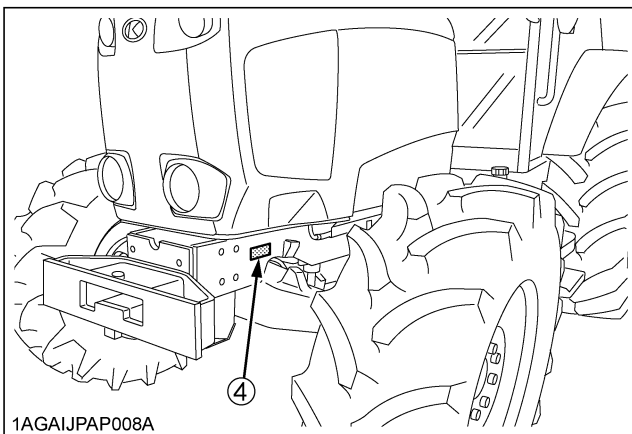
⚠ CAUTION

TO AVOID PERSONAL INJURY:
Servicing of front suspension hydraulic system should be performed only by authorized Kubota dealer.

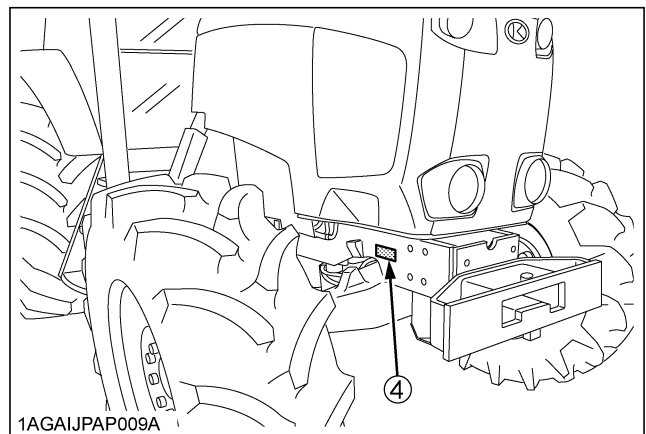
1AGAIHFAP087A



1AGAIJNAP044A



1AGAIJPAP008A



1AGAIJPAP009A

1AGAIJPAP010A

(1) Part No. 3Y205-9892-1

⚠ DANGER/POISON

<p>SHIELD EYES. EXPLOSIVE GASES CAN CAUSE BLINDNESS OR INJURY.</p>	<p>NO SPARKS • FLAMES • SMOKING</p>	<p>SULFURIC ACID CAN CAUSE BLINDNESS OR SEVERE BURNS.</p>
--	-------------------------------------	---

KEEP OUT OF REACH OF CHILDREN. DO NOT TIP. DO NOT OPEN BATTERY.

FLUSH EYES IMMEDIATELY WITH WATER. GET MEDICAL HELP FAST.

PROPOSITION 65 WARNING
BATTERY POSTS, TERMINALS, AND RELATED ACCESSORIES CONTAIN LEAD AND LEAD COMPOUNDS, CHEMICALS KNOWN TO THE STATE OF CALIFORNIA TO CAUSE CANCER AND REPRODUCTIVE HARM. WASH HANDS AFTER HANDLING.

105E41R 12V	
AMP. HR (5HR)	80
AMP. HR (20HR)	100
RESERVE CAPACITY (MIN)	160
BCI CCA	900
EN CCA	800

S.O.C INDICATOR: CH (CHARGE BATTERY), LEAD (REPLACE BATTERY)

Pb

DK 85330

1AGAIJHAP083A

(2) Part No. 3P903-9892-3

⚠ DANGER / POISON

<p>SHIELD EYES. EXPLOSIVE GASES CAN CAUSE BLINDNESS OR INJURY.</p>	<p>NO SPARKS • FLAMES • SMOKING</p>	<p>SULFURIC ACID CAN CAUSE BLINDNESS OR SEVERE BURNS.</p>
--	-------------------------------------	---

KEEP OUT OF REACH OF CHILDREN. DO NOT TIP. DO NOT OPEN BATTERY.

FLUSH EYES IMMEDIATELY WITH WATER. GET MEDICAL HELP FAST.

PROPOSITION 65 WARNING
BATTERY POSTS, TERMINALS, AND RELATED ACCESSORIES CONTAIN LEAD AND LEAD COMPOUNDS, CHEMICALS KNOWN TO THE STATE OF CALIFORNIA TO CAUSE CANCER AND REPRODUCTIVE HARM. WASH HANDS AFTER HANDLING.

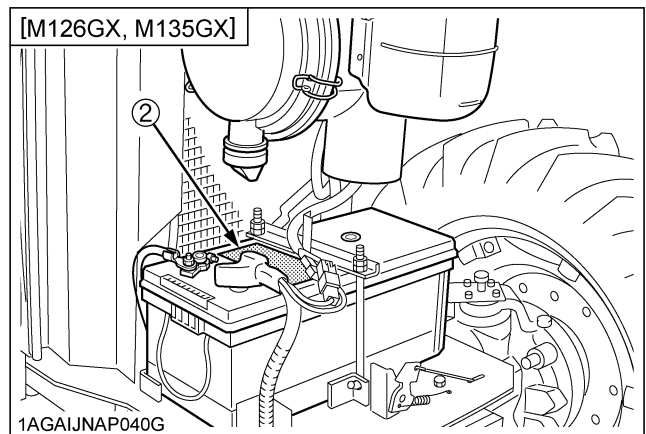
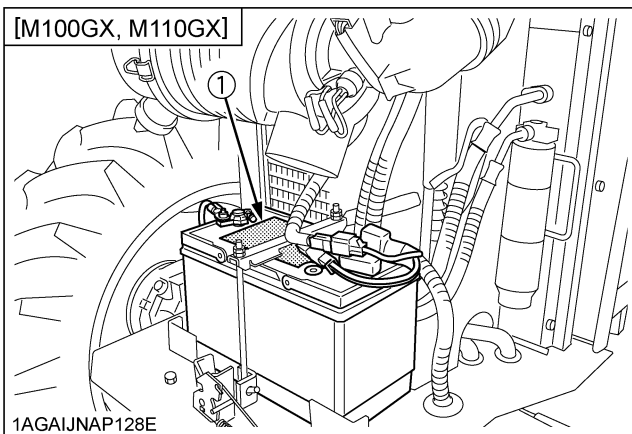
180G51(4D-1050) 12V		160Ah(20HR)	
RC 300(MIN)	1090CCA (SAE)	950CCA (EN)	

S.O.C INDICATOR: CH (CHARGE BATTERY), LEAD (REPLACE BATTERY)

Pb

DK 85491

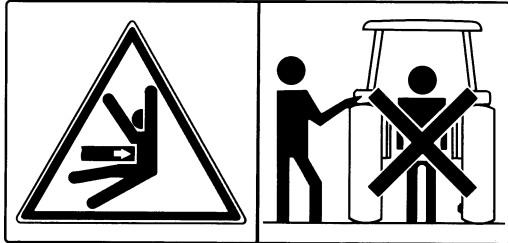
1AGAIJNAP148A



1AGAIJNAP160A

(1) Part No. 3F240-9819-1

Do not stand by IMPLEMENT or between implement and tractor while operating remote hitch switch.



1AGAIBIAP1770

(3) Part No. 6C200-4959-1

▲WARNING	TO AVOID PERSONAL INJURY: 1. Attach pulled or towed loads to the drawbar only. 2. Use the 3-point hitch only with equipment designed for 3-point hitch usage.
	▲WARNING TO AVOID PERSONAL INJURY: 1. Keep PTO shield in place at all times. 2. Do not operate the PTO at speeds faster than the speed recommended by the implement manufacturer. 3. For trailing PTO-driven implements, set drawbar at towing position. (see operator's manual)

1AGAIHFAP067A

(2) Part No. 3P305-9856-1

▲CAUTION	
TO AVOID INJURY FROM SEPARATION:	
<p>GROOVE LH</p>	<p>DO NOT EXTEND LIFT ROD BEYOND THE GROOVE ON THE THREADED ROD.</p> <p>GROOVE RH</p>

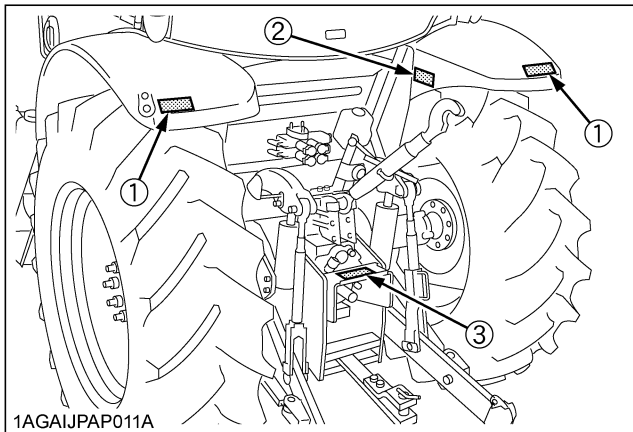
1AGAICVAP046E

(4) Part No. 1J574-8721-1

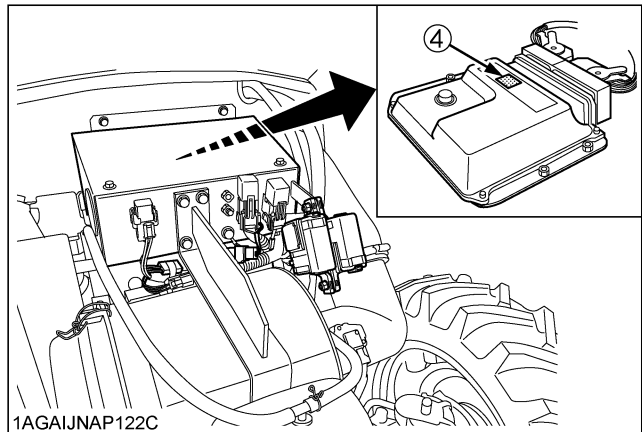


To avoid electric shock; Set the key switch to the "OFF" position before checking or repairing the computer, wiring or/and connectors.

1AGAIJNAP165A



1AGAIJPAP011A



1AGAIJNAP122C

1AGAIJPAP012A

8. CARE OF DANGER, WARNING AND CAUTION LABELS

1. Keep danger, warning and caution labels clean and free from obstructing material.
2. Clean danger, warning and caution labels with soap and water, dry with a soft cloth.
3. Replace damaged or missing danger, warning and caution labels with new labels from your local KUBOTA Dealer.
4. If a component with danger, warning and caution label(s) affixed is replaced with new part, make sure new label(s) is (are) attached in the same location(s) as the replaced component.
5. Mount new danger, warning and caution labels by applying on a clean dry surface and pressing any bubbles to outside edge.

SERVICING OF TRACTOR

Your dealer is interested in your new tractor and has the desire to help you get the most value from it. After reading this manual thoroughly, you will find that you can do some of the regular maintenance yourself.

However, when in need of parts or major service, be sure to see your KUBOTA Dealer.

For service, contact the KUBOTA Dealership from which you purchased your tractor or your local KUBOTA Dealer. When in need of parts, be prepared to give your dealer the tractor, CAB/ROPS and engine serial numbers.

Locate the serial numbers now and record them in the space provided.

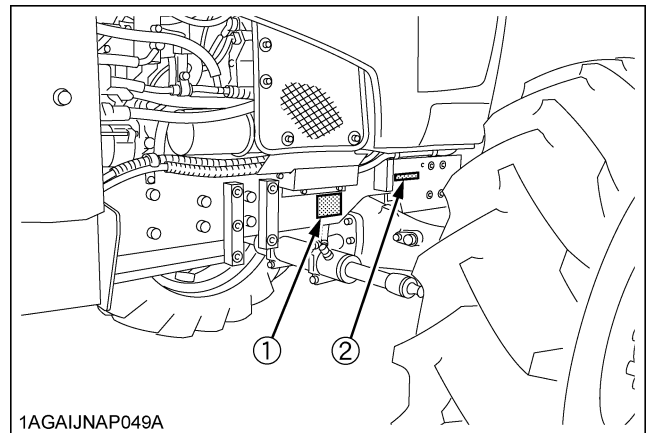
	Type	Serial No.
	Tractor	
	CAB / ROPS	
	Engine	
	Date of Purchase	
	Name of Dealer	
(To be filled in by purchaser)		

◆ **Warranty**

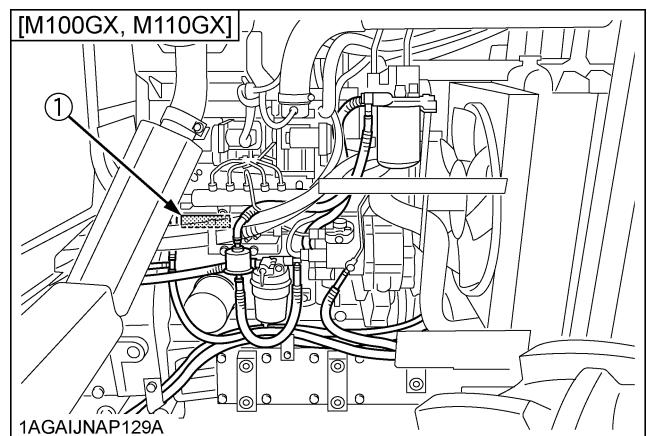
This tractor is warranted under the KUBOTA Limited Express Warranty, a copy of which may be obtained from your selling dealer. No warranty shall, however, apply if the tractor has not been handled according to the instruction given in the Operator's Manual even it is within the warranty period.

◆ **Scrapping the tractor and its procedure**

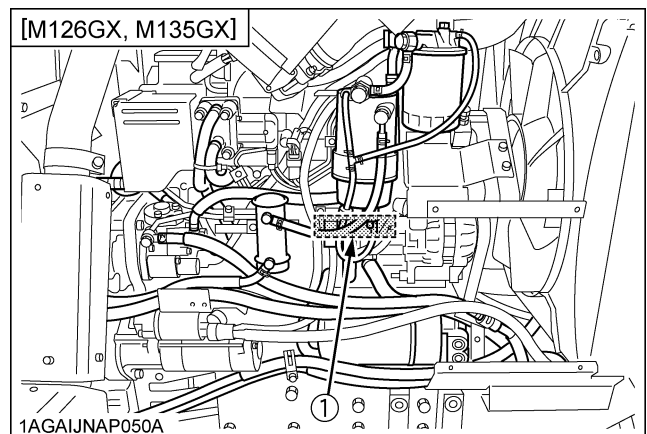
To put the tractor out of service, correctly follow the local rules and regulations of the country or territory where you scrap it. If you have questions, consult your local KUBOTA Dealer.



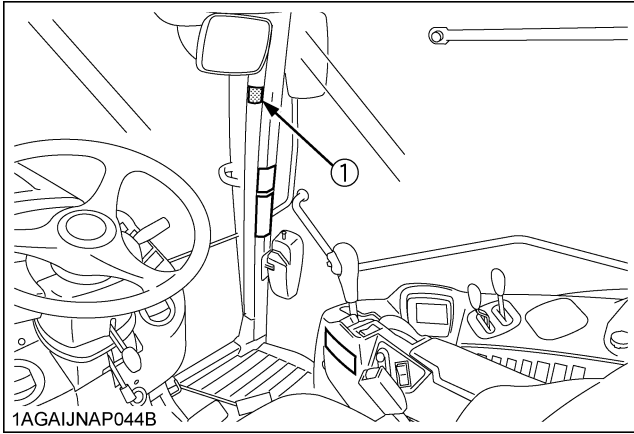
(1) Tractor identification plate
(2) Tractor serial number



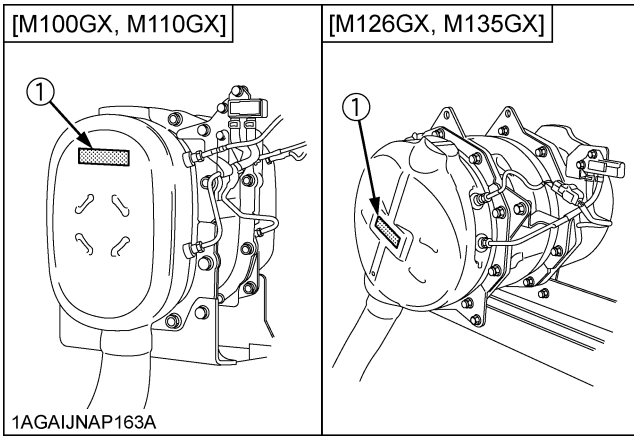
(1) Engine serial number



(1) Engine serial number



(1) CAB identification plate (CAB Serial No.)



(1) Diesel particulate Filter (DPF) serial number

SPECIFICATIONS

SPECIFICATION TABLE

Model			M100GX	M110GX	M126GX	M135GX
			4WD			
Engine	Model		V3800-TI-CRS		V6108-TI-CRS	
	Type		Common rail system, Direct Injection, with turbocharger, water-cooled 4 cycle diesel			
	Number of cylinders		4			
	Total displacement	cm ³	3769		6124	
	Bore and stroke	mm	100 x 120		118 x 140	
	Rated revolution	rpm	2600		2200	
	Low idling revolution	rpm	800 to 850			
	Net power *1	kW (HP)	74.6 (100)	81.7 (109.5)	93.2 (125)	100.7 (135)
	PTO power *1 (factory observed)	kW (HP) / rpm	64.1 (86) / 2600	71.6 (96) / 2600	80.6 (108) / 2200	88.0 (118) / 2200
	Battery capacity		12V, 100Ah at 20hours, 900CCA		12V, 160Ah at 20hours, 1090CCA	
	Fuel tank capacity	L	190			
	Engine oil capacity	L	10.5		14.6	
	Coolant capacity	L	9.6		14.6	
Dimensions	Overall length		mm		4245	4400 <4390>
	Overall width (minimum tread)		mm		2100	2130
	Overall height		mm		2810	2885
	Wheel base		mm		2435	2690 <2680>
	Tread	Front	mm		1430/1530	1555/1655
		Rear	mm		1530 to 2035	
	Crop clearance		mm		560	590
Weight		kg		4100	4640 <4840>	
Traveling system	Standard tire size	Front tires	340/85R24		420/70R24	
		Rear tires	480/70R34		520/70R38	
	Clutch		Multiple wet disc, Electronic Hydraulically operated			
	Steering		Hydrostatic Power Steering			
	Braking system		Hydraulically operated wet disk			
	Differential		Bevel gears with differential lock (Front, Rear)			

4 SPECIFICATIONS

Model				M100GX	M110GX	M126GX	M135GX
				4WD			
Hydraulic unit	Hydraulic control system			Electronic draft control			
	Pump capacity		L/min	70.9		77.2	
	Three point hitch			Category 2			
	Max. lifting force	At lifting points	kg	5000 At lower link end with links horizontal		6100 At lower link end with links horizontal	
		24 in. behind lifting point *2	kg	4300		4900	
	Remote hydraulic control			2 standard (3rd & 4th valve optional)			
	System pressure		MPa (kgf/cm ²)	19.6 (200)			
	Traction system			Swinging drawbar, adjustable in direction			
PTO	Live PTO (Independent)	Direction of turning		Clockwise, viewed from tractor rear			
		PTO/Engine speed	rpm	6 splines: 540 / 2405 1000 / 2529		6 splines: 540 / 1994 1000 / 2050	

The company reserves the right to change the specifications without notice.

NOTE: *1 Manufacturer's estimate

*2 Top link mounting: upper hole

< >: Front suspension type

TRAVELING SPEEDS

(At rated engine rpm)

Model		M100GX, M110GX	M126GX, M135GX
Tire size (Rear)		480/70R34	520/70R38
Range		Speed (km/h)	Speed (km/h)
C	1	0.19	0.20
	2	0.23	0.24
	3	0.28	0.29
	4	0.36	0.36
	5	0.40	0.41
	6	0.49	0.50
	7	0.59	0.61
	8	0.74	0.74
L	1	0.80	0.84
	2	0.98	1.02
	3	1.20	1.24
	4	1.50	1.51
	5	1.67	1.74
	6	2.05	2.12
	7	2.49	2.57
	8	3.13	3.13
M	1	3.40	3.55
	2	4.17	4.31
	3	5.08	5.24
	4	6.37	6.38
	5	7.08	7.39
	6	8.67	8.97
	7	10.57	10.89
	8	13.26	13.28
H	1	9.4	9.8
	2	11.5	11.9
	3	14.0	14.5
	4	17.6	17.6
	5	19.6	20.4
	6	23.9	24.8
	7	29.2	30.1
	8 *	36.6	36.7

The company reserves the right to change the specifications without notice.

* At maximum engine rpm.

IMPLEMENT LIMITATIONS

The KUBOTA Tractor has been thoroughly tested for proper performance with implements sold or approved by KUBOTA. Use with implements which are not sold or approved by KUBOTA and which exceed the maximum specifications listed below, or which are otherwise unfit for use with the KUBOTA Tractor may result in malfunctions or failures of the tractor, damage to other property and injury to the operator or others. [Any malfunctions or failures of the tractor resulting from use with improper implements are not covered by the warranty.]

	Tread (max. width)		Operating condition	Lower link end max. lifting capacity W 0
	Front	Rear		
M100GX	1530 mm	2035 mm	IMPORTANT ● Tractor with front spacer option is not approved for use with front loader.	5000 kg
M110GX	1655 mm			
M126GX M135GX	1740 mm	2085 mm		6100 kg

Actual figures		
Implement weight W 1 and / or size	Max. Drawbar Load W 2	Trailer loading weight W 3 Max. capacity
As in the following list (Shown on the next page)	1500 kg (3300 lbs.)	7000 kg (15400 lbs.)
		8000 kg (17600 lbs.)

Lower link end max, hydraulic lifting capacity..... W 0
 Implement weight.....The implement's weight which can be put on the lower link: W 1
 Max. drawbar load..... W 2
 Trailer loading weight.....The max. loading weight for trailer (without trailer's weight): W 3

1AGAIAZAP121A

NOTE :

- Implement size may vary depending on soil operating conditions.
- Strictly follow the instructions outlined in the operator's manual of the mounted or trailed machinery or trailer, and do not operate the combination tractor - machine or tractor - trailer unless all instructions have been followed
- Forestry Application
 Following hazards exist;
 (a) toppling trees, primarily in case a rear-mounted tree grab-crane is mounted at the rear of the tractor;
 (b) penetrating objects in the operator's enclosure, primarily in case a winch is mounted at the rear of the tractor.
 Optional equipments such as OPS (Operator Protective Structure), FOPS (Falling Object Protective Structure), etc. to deal with these hazards and other related hazards are not available for this tractor. Without such optional equipment use is limited to tractor specific applications like transport and stationary work.

No.	Implement		Remarks		M100GX, M110GX		M126GX, M135GX		
					4WD		4WD		
1	Slurry Tank		Max. Tank Capacity	L	5000		6000		
			Max. Load Capacity	kg	6000		7000		
2	Trailer		Max. Load Capacity	kg	7000		8000		
			Max. Drawbar Load	kg	1500		1500		
3	Mower	Rotary-Cutter	Max. Cutting Width	mm	3200		3200		
			Max. Weight	kg	800		800		
		Flail Mower (Heavy)	Max. Cutting Width	mm	4267		4267		
			Max. Weight	kg	1360		1360		
Sickle Bar	Max. Cutting Width	mm	3050		3050				
4	Sprayer		Max. Tank-Capacity	Mid	L	1000		1200	
				Rear 3P	L	1200		1400	
				Drawbar	L	5500		6000	
5	Rotary Tiller		Max. Tilling Width	mm	2700		2700		
			Max. Weight	kg	1200		1200		
6	Bottom Plow		Max. Size		14 in. x 5 18 in. x 4 20 in. x 3	22 in. x 2 24 in. x 1	14 in. x 6 18 in. x 5 20 in. x 4	22 in. x 2 24 in. x 1	
			Max. Weight	kg	3P Type	1100		1100	
7	Disk harrow	3P Type	Max. Size		24 in. x 30		24 in. x 30		
			Max. Harrowing Width	mm	3600		3600		
			Max. Weight	kg	1000		1000		
		Drawbar Type	Max. Harrowing Width	mm	4570		4570		
8	Disc Plow		Max. Size		30 in. x 4		30 in. x 4		
			Max. Weight	kg	1000		1000		
9	Sub Soiler		Numbers of Cultivating Tines		3		3		
			Cultivating Depth	mm	600		600		
10	Cultivator		Max. Width	mm	5490		5490		
			Number of Rows		6		6		
			Max. Weight	kg	1000		1000		
11	Front Blade *1,*2		Max. Cutting Width	mm	2600		2600		
			Max. Oil Pressure	MPa	18.1		18.1		
12	Rear Blade		Max. Cutting Width	mm	2600		2600		
			Max. Oil Pressure	MPa	18.1		18.1		
13	Front Loader *1,*2		Max. Lifting Capacity (Bucket pivot pin, max. height) *3	kg	1950		2210		
			Max. Oil Pressure	MPa	20.5		20.5		
14	Box Blade		Max. Cutting Width	mm	2430		2430		
			Max. Weight	kg	800		800		
15	Back Hoe *2		Max. Digging Depth	mm	3050		3050		
			Max. Weight	kg	1200		1200		
16	Snow Blade		Max. Width	mm	2600		2600		
			Max. Weight	kg	800		800		

NOTE :

● Implement size may vary depending on soil operating conditions.

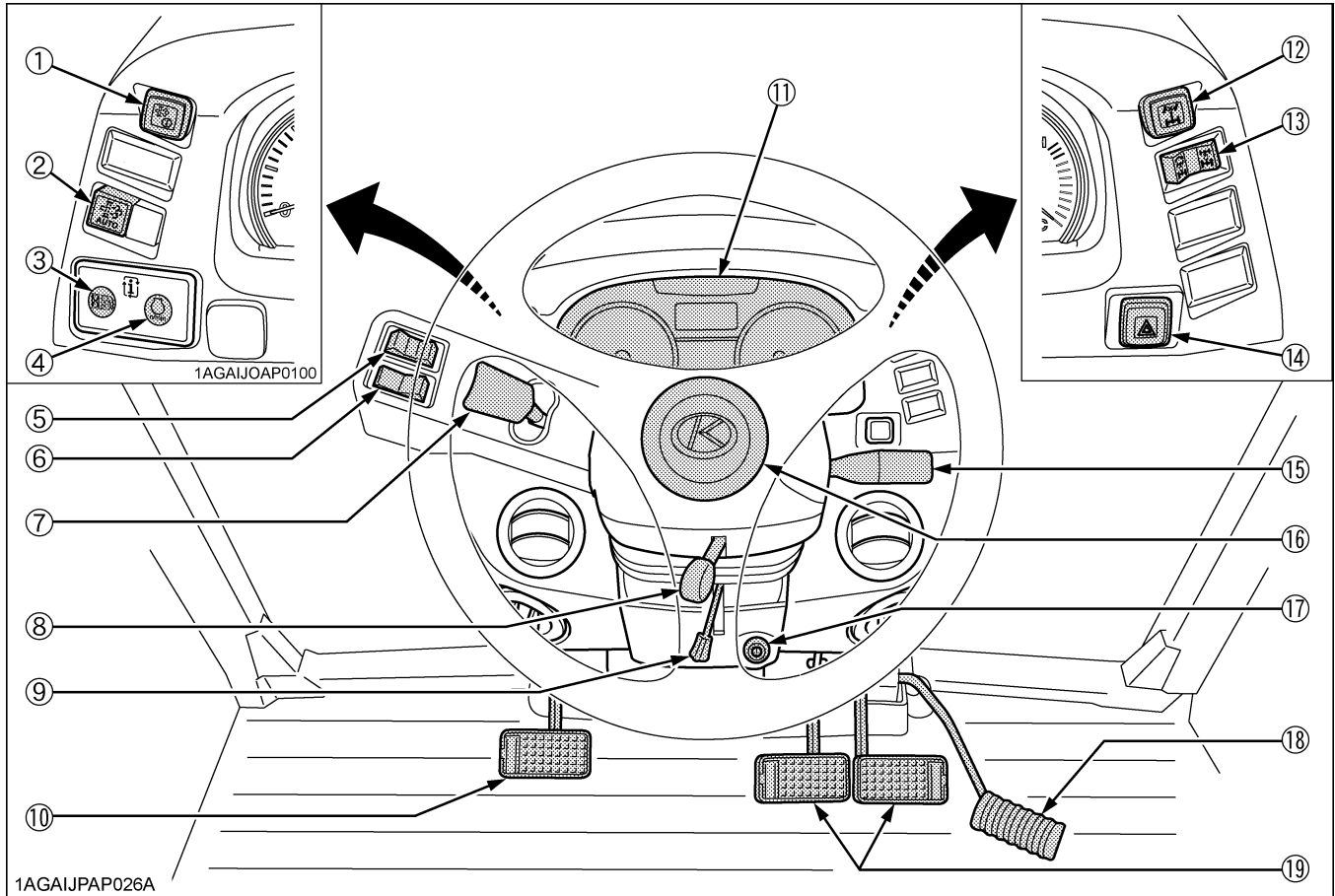
*1 Must remove front weight with this implement.

*2 Need subframe.

*3 The value contains the weight of KUBOTA standard bucket.

INSTRUMENT PANEL AND CONTROLS

■ Instrument Panel, Switches and Hand Controls

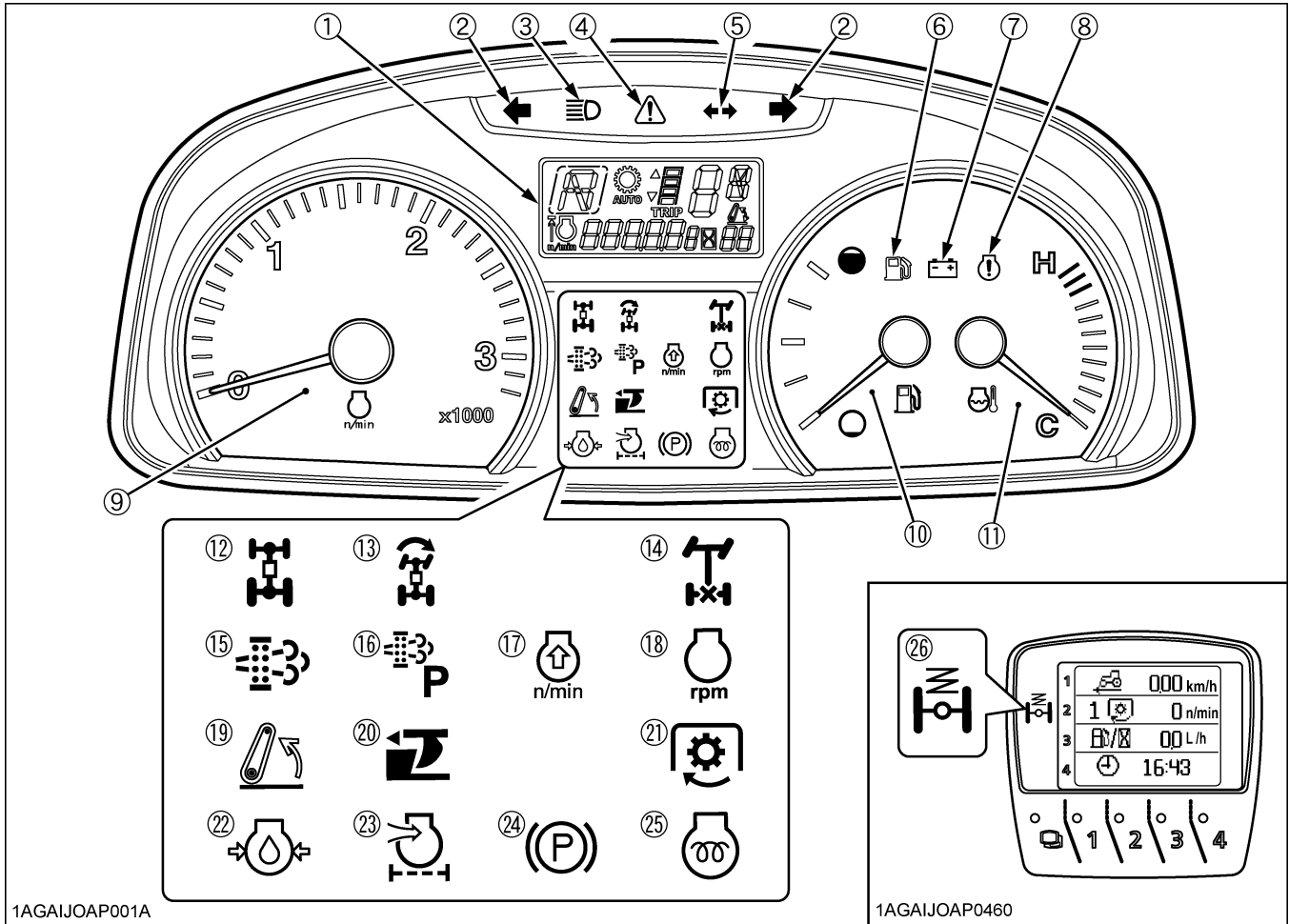


ILLUSTRATED CONTENTS

(1) Parked regeneration switch	14
(2) Auto regeneration switch	14
(3) Display switch (Hour, Trip)	41
(4) Engine RPM dual memory A/B indicator switch	47
(5) Front wiper / washer switch	91
(6) Rear wiper / washer switch	92
(7) Shuttle lever	37
(8) Steering wheel telescope lever	31
(9) Steering wheel tilt lever	31
(10) Clutch pedal	34

ILLUSTRATED CONTENTS

(11) Instrument panel	39
(12) Front wheel differential lock switch	63
(13) 4WD / Bi-speed turn switch	38
(14) Hazard light switch	31
(15) Turn signal / Head light switch	31, 31
(16) Horn button	32
(17) Key switch	---
(18) Foot throttle	39
(19) Brake pedal	33



1AGAIJOAP001A

1AGAIJOAP0460

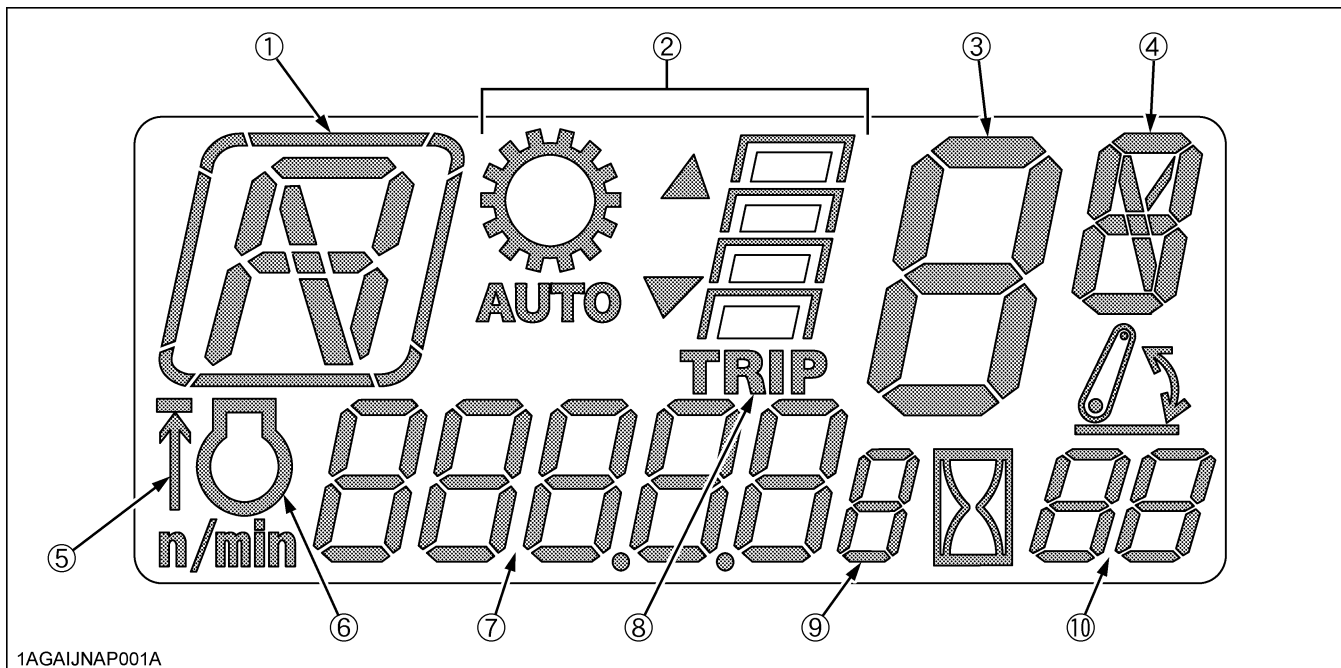
ILLUSTRATED CONTENTS

(1) Liquid crystal display	next page
(2) Turn signal / Hazard indicator	31
(3) High-beam indicator	31
(4) Master system warning indicator	40
(5) Trailer indicator	32
(6) Fuel level indicator	40
(7) Electrical charge warning indicator	40
(8) Engine warning indicator	40
(9) Tachometer	41
(10) Fuel gauge	41
(11) Coolant temperature gauge	41
(12) 4WD indicator.....	38
(13) Bi-speed turn indicator	38
(14) Rear wheel differential lock indicator	63

ILLUSTRATED CONTENTS

(15) Regeneration indicator	14
(16) Parked regeneration indicator	14
(17) Engine RPM increase indicator	14
(18) Constant RPM management indicator	50
(19) 3-P. Lifting / Lowering indicator	79
(20) Draft indicator	76
(21) PTO clutch indicator	66
(22) Engine oil pressure warning indicator	40
(23) Air cleaner indicator	40
(24) Parking brake warning indicator	40
(25) Heater indicator	26
(26) Front suspension indicator	
[Front suspension type, Side digital display]	59

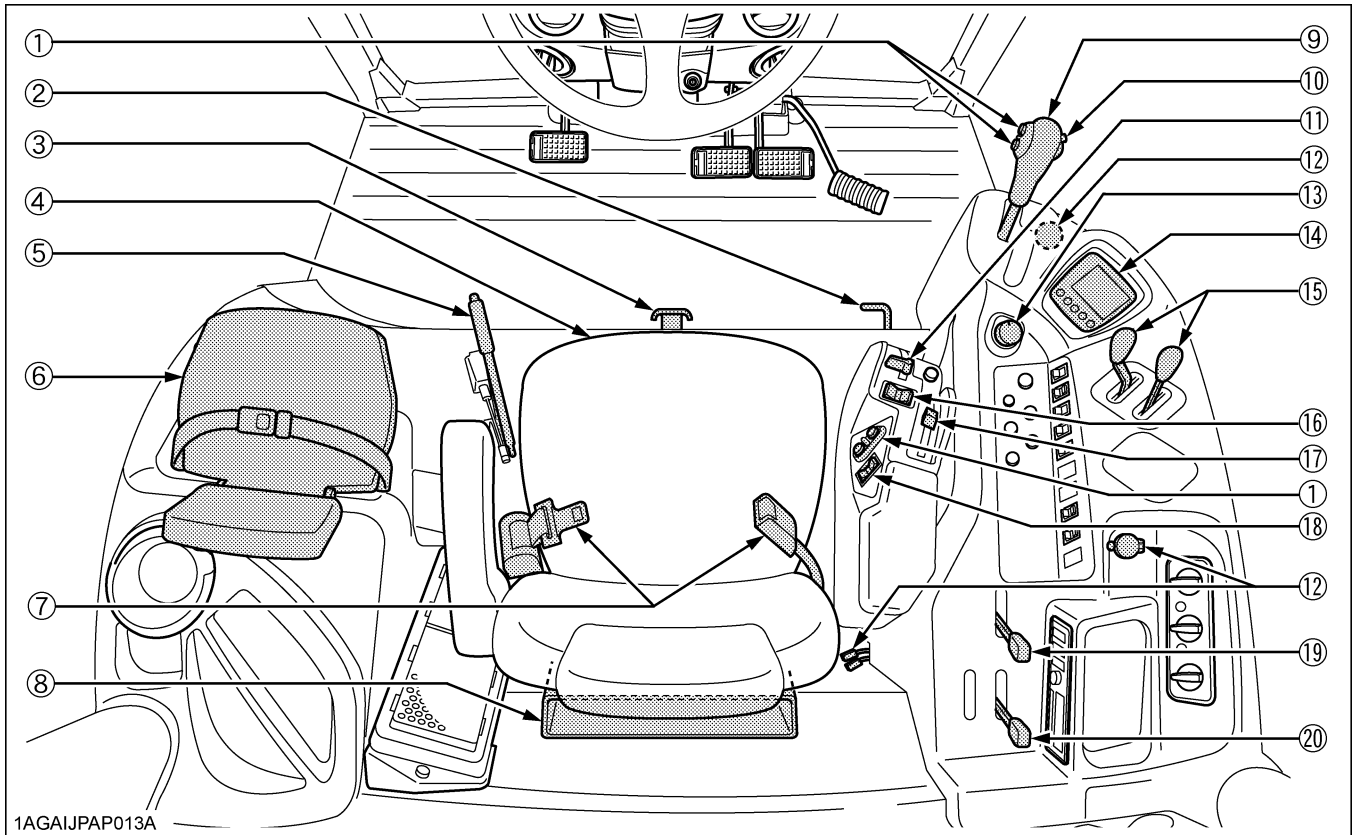
◆ Liquid Crystal Display



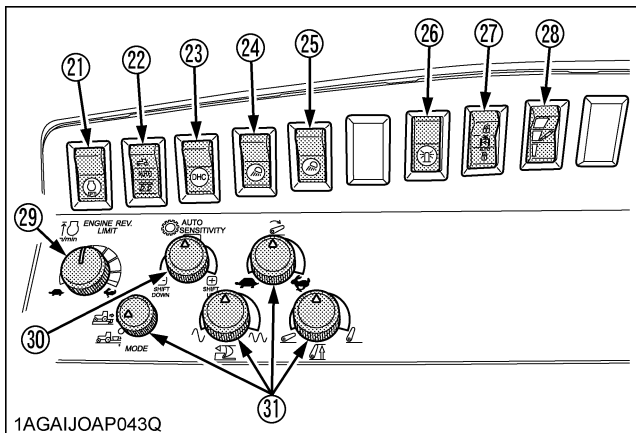
1AGAIJNAP001A

No.	Message	Description	Reference page
(1)	Displays "F", "R" or "N".	"F" is displayed when forward operation is selected with the shuttle lever. "R" is displayed when reverse operation is selected. ("N" is displayed when the lever is in the neutral position.)	37
(2)		AUTO MODE (Automatic speed change) <ul style="list-style-type: none"> Lights up when Travel mode or Field mode is selected. Turns off when Travel mode and Field mode are not selected. 	51
(3)	Displays "1" - "8" or "E".	Displays the number of the Power shift ratios that was selected with the Up-shift/Down-shift button. "E" appears in case of gear shift error.	35
(4)	Displays "L", "M", "H", "C", or "N".	Displays the position of the range gear shift that was selected with the Power shift/Range shift lever. "C" appears when the creep speed is selected (option).	35
(5)		Light up when the Rev-limiter control has been set. (Display flashes when the engine speed is at or below the set speed.)	47
(6)		Lights up when the RPM dual memory has been set.	47
(7)		Depending on the settings, the below messages are displayed. 1. Elapsed time (hour meter) 4. Maximum engine speed that is set by the Rev- limiter control 2. Trip time 3. Engine speed that is set in memory 5. Failure information or other information	41
(8)	TRIP	Lights up when trip time mode is selected.	41
(9)	Displays "h", "A", "B", or "L".	<ul style="list-style-type: none"> "h" is displayed when the hour meter or trip time is selected. "A" or "B" is displayed when the RPM dual memory is set. "L" is displayed when the Rev-limiter control has been set. 	41 47 47
(10)	Displays "0" - "99".	Digital display of the lift arm height.	---

Foot and Hand Controls



1AGAIJPAP013A



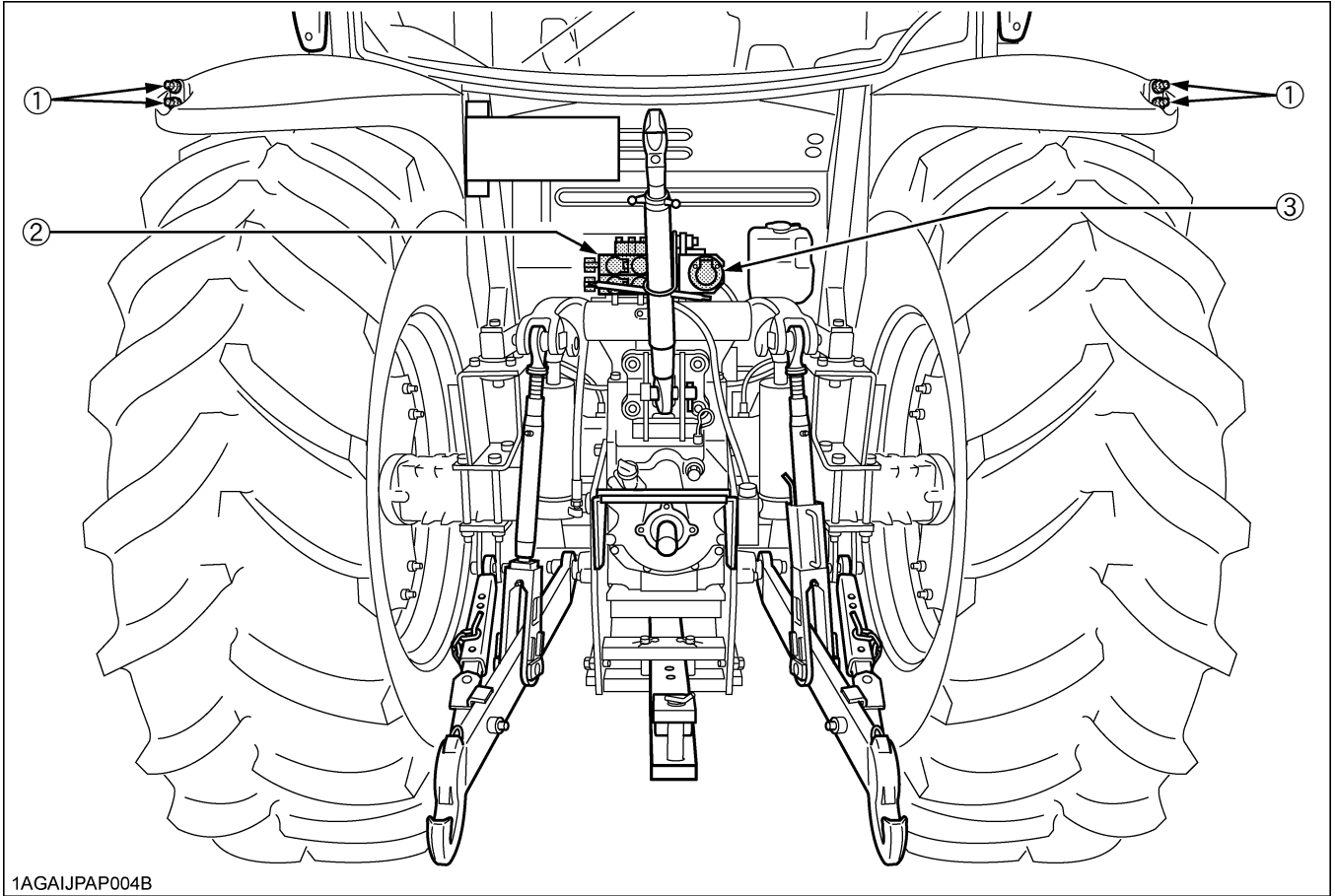
1AGAIJOAP043Q

ILLUSTRATED CONTENTS

(1) Up-shift / Down-shift button	35
(2) Rear wheel differential lock pedal	63
(3) 3-point hitch lowering lock lever	78
(4) Seat	28
(5) Parking brake lever	39, 62
(6) Instructional seat (if equipped).....	30
(7) Seat belt	30
(8) Operator's manual storage	---
(9) Power shift / Range shift lever	35

ILLUSTRATED CONTENTS

(10) Clutch button	35
(11) Hand throttle lever	39
(12) Electrical outlet	96
(13) PTO clutch control switch	66
(14) Side digital display	42
(15) Remote control valve lever	80
(16) RPM dual memory switch	47
(17) Hydraulic control lever	75
(18) 3-P. Quick raise / lower switch	79
(19) Creep lever (if equipped)	37
(20) PTO gear shift lever	67
(21) Constant RPM management switch	50
(22) Auto-Mode switch	51
(23) DHC switch	36
(24) Front work light switch	32
(25) Rear work light switch	32
(26) Beacon light switch	97
(27) Suspension switch [Front suspension type]	59
(28) Ride condition damper switch [Front suspension type]	61
(29) Rev-limiter control dial	39
(30) Auto-Mode sensitivity adjustment dial	56
(31) 3-point hitch control dial	75



1AGAIJPAP004B

ILLUSTRATED CONTENTS

(1) Remote hitch Up / Down switch	71
(2) Remote control valve coupler	80
(3) Trailer electrical outlet	65

PRE-OPERATION CHECK

DAILY CHECK

To prevent trouble from occurring, it is important to know the condition of the tractor well. Check it before starting.



CAUTION

To avoid personal injury:

- **Be sure to check and service the tractor on a level surface with the engine shut off and the parking brake "ON" and implement lowered to the ground.**

Check item

- Walk around inspection
- Check engine oil level
- Check transmission oil level
- Check coolant level
- Check water separator
- Clean grill, radiator and screen
- Check DPF muffler
- Check air cleaner evacuator valve
(When used in a dusty place)
- Check brake pedal
- Check parking brake lever
- Check indicators, gauges and meter
- Check lights
- Check seat belt
- Check movable parts
- Refuel
(See "DAILY CHECK" in "PERIODIC SERVICE" section.)
- Care of danger, warning and caution labels
(See "DANGER, WARNING AND CAUTION LABELS" in "SAFE OPERATION" section.)

OPERATING THE ENGINE



CAUTION

To avoid personal injury:

- Read "Safe Operation" in the front of this manual.
- Read the danger, warning and caution labels located on the tractor.
- To avoid the danger of exhaust fume poisoning, do not operate the engine in a closed building without proper ventilation.
- Never start engine while standing on ground. Start engine only from operator's seat.
- Make it a rule to set all shift levers to the "NEUTRAL" positions and to place PTO clutch control switch in "OFF" position before starting the engine.
- When the engine is started, the machine height may change unexpectedly. Before starting the tractor, make sure the area near the machine is clear of all persons and objects. [Front suspension type].

IMPORTANT :

- Do not use starting fluid or ether.
- To protect the battery and the starter, make sure that the starter is not continuously turned for more than 10 seconds.

EXHAUST AFTERTREATMENT DEVICES



CAUTION

To avoid personal injury:

- During Diesel Particulate Filter (DPF) regenerating operations, exhaust gases and exhaust filter components reach temperatures hot enough to burn people, or ignite or melt common materials.
- Keep tractor away from people, animals or structures which may be susceptible to harm or damage from hot exhaust gases.
- During regeneration, white exhaust gases may be visible. Do not allow regeneration in a non ventilated garage or confined area.
- During regeneration, do not leave the tractor.

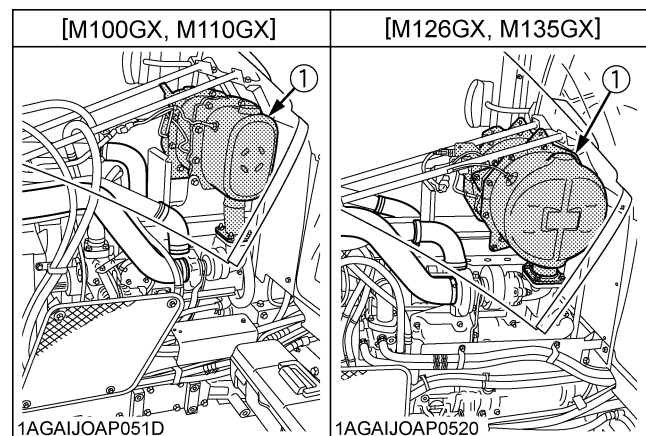
■ Diesel Oxidation Catalyst and Diesel Particulate Filter (DPF) Muffler

The Diesel Oxidation Catalyst and Diesel Particulate Filter (Hereinafter called DPF) serves to reduce hydrocarbons, carbon monoxide and other toxic gases, all of which are contained in diesel engine emissions, to harmless carbon dioxide and water. The DPF also traps Particulate Matter (PM).

To meet the emission regulations in your country, the DPF is installed on your tractor.

Be sure to read this operator's manual before running in your tractor.

It is imperative for the tractor owner and operator to handle the DPF in a safe and environmentally responsible manner.



(1) Diesel Particulate Filter (DPF)

NOTE :

- When the DPF has trapped a specific amount of particulate matter (PM), the engine computer starts the process of regeneration or burning of soot collected by the filter. This burning process is called regeneration.

■ Handling Points

◆ Fuel

Be sure to use Ultra Low Sulfur Fuel (S15).

IMPORTANT :

- Use of diesel fuel other than Ultra Low Sulfur Fuel may adversely affect the engine and DPF performance. Use of fuels other than Ultra Low Sulfur Fuel (S15) may not meet regulations for your region.

◆ Engine oil

Use DPF-compatible oil (CJ-4) for the engine.

IMPORTANT :

- If any engine oil other than CJ-4 is used, the DPF may become clogged earlier than expected and the fuel economy may drop.

■ DPF Regeneration Process

This system has "Parked Regeneration" in which the DPF regenerates while the tractor is parked and "Automatic Regeneration" which the DPF can regenerate automatically while working.

When key switch is turned ON, the tractor will be in the "Inhibit Mode". By pressing the auto regeneration switch, the mode can be switched to the "Auto Regeneration Mode".

Choose from them according to your job condition, usage environment and other factors.

◆ Parked Regeneration Mode;

When an amount of PM more than specified has built up in the DPF, the indicator starts flashing to notify the operator that Regeneration is required. Therefore, park the tractor in a safe place and carry out the regeneration.

◆ Auto Regeneration Mode;

Press the auto regeneration switch, and the Auto Mode is activated.

When an amount of PM more than specified has built up in the DPF muffler, the DPF is automatically regenerated whether the tractor is in motion or parked.

For jobs not affected by hot gases emitted out of the DPF muffler during regeneration, the Auto Mode is advisable.

◆ Inhibit Mode;

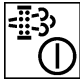



The tractor has been set to Inhibit Mode by default.

Even if an amount of PM more than specified has built up in the DPF muffler, the DPF does not regenerate.

When the regeneration is needed, the indicator starts flashing to notify the operator to active either Auto Regeneration Mode or conduct a Parked Regeneration Mode, once in a safe area.

For jobs that are done in poorly ventilated area or in area that may affect plants and animals because of hot gases that will be emitted, the Inhibit Mode is recommended.

Operating Procedure for Parked Regeneration

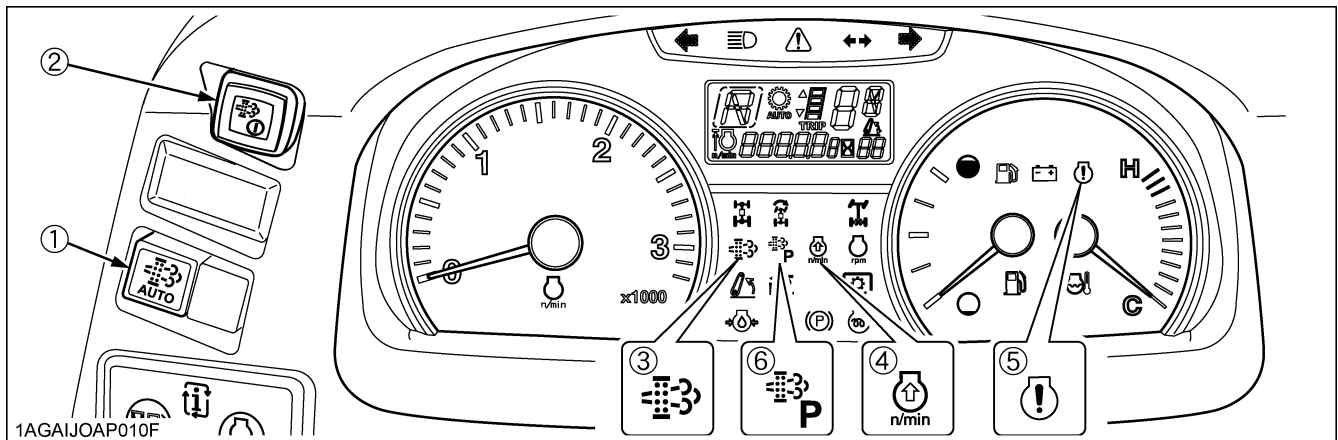
1. Park the tractor in a safe area away from buildings, people, and animals.
2. Apply the parking brake.
3. Set the power shift / range shift lever and the shuttle shift lever to the neutral position.
4. Turn "OFF" the PTO clutch control switch.
5. Return the engine rpm to the idle speed.
6.  Once the parked regeneration switch starts flashing.
7.  Press the parked regeneration switch to start the regeneration cycle.
(The switch light will remain "ON" constantly during the cycle.)
8. The engine rpm will automatically rise, and the regeneration process will begin.
9.   Make sure the indicators stay "ON" while regenerating the DPF. They turn "OFF" when the cycle is complete. The tractor can be moved and continue working.

During the regeneration cycle, do not touch the above levers, and switches, nor change the engine rpm. Otherwise, the regeneration will be interrupted. Never leave the tractor when parked regeneration process is activated. Once Regeneration process is complete, the tractor may be moved and returned to work.

NOTE :

- If the parked regeneration cycle is interrupted, the engine rpm is fixed at the idling level for about 30 seconds. For this period, keep the hand throttle lever and foot throttle pedal at the idle position. Do not move them. They will function again in 30 seconds.

Operating Procedure for Auto Regeneration Mode



- (1) Auto regeneration switch (3) Regeneration indicator (5) Engine warning indicator
 (2) Parked regeneration switch (4) Engine RPM increase indicator (6) Parked regeneration indicator

■ Regeneration Operating Procedure

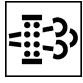
1. Start the engine and press the auto regeneration switch, and the switch lamp illuminates.



Switch lamp ON: Auto Regeneration Mode activated.
 Switch lamp OFF: Inhibit Mode activated.

NOTE :

- When the key switch is turned off, the regeneration system returns to Inhibit Mode (Default). To select the Auto Regeneration Mode, turn on the key switch and press the auto regeneration switch. Check to make sure the switch lamp stays on.

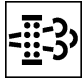
2.  When the regeneration indicator starts flashing:
 A specific amount of PM has built up in the DPF.
 Continue to operate the tractor, and the regeneration process will begin automatically, make sure you are working in a safe area as DPF and exhaust temperature will rise.



When the engine rpm increase indicator starts flashing, keep on working and increase the engine rpm until the indicator turns off.

NOTE :

- Even if the Auto Regeneration Mode is selected, DPF regeneration may not begin because system requirements have not been satisfied.
- The engine rpm increase indicator is used as a guide to satisfy the regeneration conditions. If the engine load is too heavy, the engine rpm increase indicator may continue to flash, even though regeneration system conditions are satisfied and regeneration may begin automatically. (See the tips on the DPF regeneration.)

3.  When the regeneration conditions are satisfied:
 The regeneration indicator stops flashing and remains constant "ON".
 The regeneration starts automatically whether the tractor is in motion or stationary.
 When the regeneration cycle has completed, the indicator turns "OFF".

NOTE :










- If you press the auto regeneration switch during regeneration, the regeneration cycle will be interrupted. (The Inhibit Mode is now activated (Default mode). Auto Regeneration Mode is turned "OFF".)
- During regeneration, do not lower the engine rpm. Otherwise, the regeneration cycle may be interrupted.

■ PM Warning Level and Required Procedures

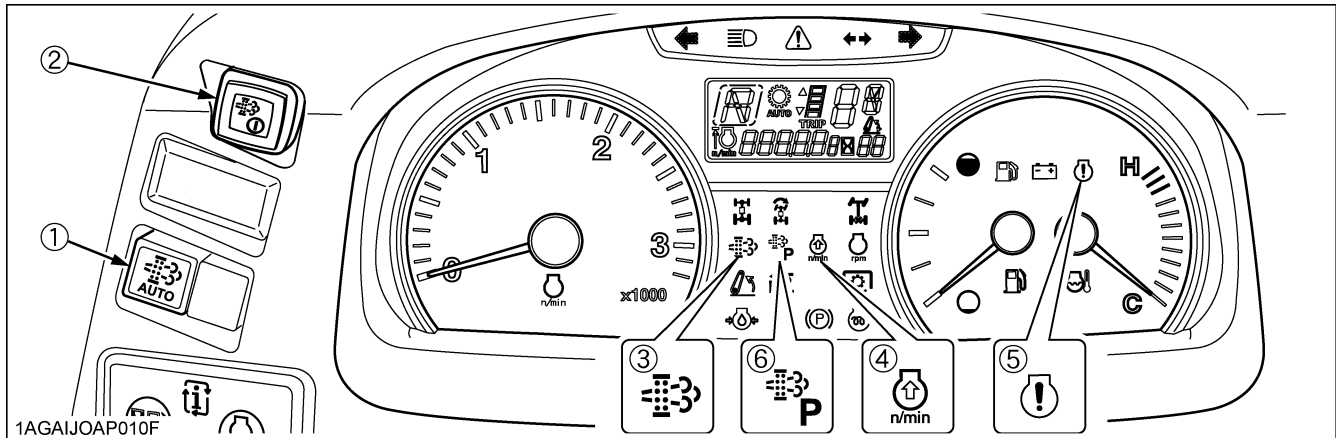
During Auto Regeneration Mode when the PM level has built up in the DPF, the regeneration cycle will begin automatically. If the regeneration cycle is interrupted or the regeneration conditions are not satisfied, the buzzer starts sounding and the indicator display changes in response to the PM level in order to prompt the operator to perform the required procedure listed below.

IMPORTANT :

- Once the regeneration level has been reached, immediately perform the required procedure for regeneration. Interrupting the regeneration cycle or continued operation by ignoring the warning signs may cause DPF and engine damage.

Auto Mode		
DPF system status	Required procedure	
PM warning level: 1 Buzzer: Not sounding	 The regeneration indicator starts flashing.  The RPM increase indicator starts flashing.  The regeneration indicator will stop flashing and remain "ON" constantly.	<p>A specific amount of PM has accumulated in the DPF muffler. Continue to work the tractor to raise the DPF temperature.</p> <p>Continue the work and increase the engine rpm until the indicator turns "OFF".</p> <p>The regeneration cycle begins until cycle is complete then the indicator will turn "OFF".</p>
PM warning level: 2-1 Buzzer: Sounding every 5 seconds	 The regeneration indicator starts flashing.	<p>Start the regeneration, referring to "PM warning level: 1" above. Now the parked regeneration indicator starts flashing, and the parked regeneration can also be started. If the regeneration conditions are not met, perform the parked regeneration.</p> <ul style="list-style-type: none"> ● For the procedure, refer to "Operating Procedure for Parked Regeneration".
PM warning level: 2-2 Buzzer: Sounding every 3 seconds	 The RPM increase indicator starts flashing.  The parked regeneration indicator starts flashing.	
PM warning level: 3 Buzzer: Constantly Sounds Engine output: 50%	 The engine warning indicator starts flashing.  The parked regeneration indicator starts flashing. The auto regeneration switch lamp turns "OFF".	<p>Immediately discontinue working the tractor and begin the parked regeneration cycle process.</p> <ul style="list-style-type: none"> ● For the procedure, refer to "Operating Procedure for Parked Regeneration". <p>At this PM warning level, the Auto Regeneration Mode does not function. If the tractor is operated further, the regeneration cycle will be disabled.</p>
PM warning level: 4 Buzzer: Constantly Sounds Engine output: 50%	 The engine warning indicator remains constantly "ON".	<p>Immediately move the tractor to a safe place and park it there and turn the engine "OFF". Contact your local KUBOTA Dealer.</p> <ul style="list-style-type: none"> ● At this level, never continue to operate the tractor otherwise damage will result to the DPF and engine.

Operating Procedure for Inhibit Mode



- | | | |
|--------------------------------|-----------------------------------|-----------------------------------|
| (1) Auto regeneration switch | (3) Regeneration indicator | (5) Engine warning indicator |
| (2) Parked regeneration switch | (4) Engine RPM increase indicator | (6) Parked regeneration indicator |

■ Regeneration Operating Procedure

1. Start the engine and make sure that the auto regeneration switch lamp is "OFF".



Switch lamp OFF: Inhibit Mode selected.
Switch lamp ON: Auto Mode selected.

2. When the parked regeneration indicator starts flashing, follow the "Operating Procedure for Parked Regeneration" procedure.





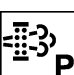



■ PM Warning Level and Required Procedures

In the Inhibit Mode, the buzzer starts sounding and the indicator display changes in response to the PM level in order to prompt the operator to perform the required procedure listed below.

IMPORTANT :

- Once the regeneration level has been reached, immediately perform the required procedure for regeneration. Interrupting the regeneration cycle or continued operation by ignoring the warning signs may cause DPF and engine damage.

Inhibit Mode		
DPF system status	Required procedure	
PM warning level: 1 Buzzer: Not sounding	 The indicator starts flashing.	A specific level of PM has built up in the DPF muffler.
	 Regeneration with the Auto Mode is possible. If the regeneration conditions are met, select the Auto Mode. Refer to "Operating Procedure for Auto Regeneration Mode".	
PM warning level: 2-1 Buzzer: Sounding every 5 seconds	 Parked regeneration indicator starts flashing.	Move the tractor to a safe area, then follow the "Operating Procedure for Parked Regeneration".
PM warning level: 2-2 Buzzer: Sounding every 3 seconds		
PM warning level: 3 Buzzer: Constantly sounds Engine output: 50%	 The engine warning indicator starts flashing.	Immediately stop working the tractor, move the tractor to a safe area, then follow the "Operating Procedure for Parked Regeneration". If the tractor is operated further and the operator ignores the warning signs, then regeneration will be disabled.
	 The parked regeneration indicator starts flashing	
PM warning level: 4 Buzzer: Constantly sounds Engine output: 50%	If the regeneration cycle is interrupted or the tractor is continuously operated ignoring the warning signs, in the PM warning level 3:	
	 The engine warning indicator remains constantly "ON".	Immediately move the tractor to a safe place and place in park, turn "OFF" engine. Contact your local KUBOTA Dealer. <ul style="list-style-type: none"> ● At this level never continue to operate the tractor, otherwise damage may result to the DPF and engine.

■ Tips on DPF Regeneration

● Operation

The higher in speed or load the engine operates, the higher the exhaust temperature rises. As a result, particulate matter (PM) inside the DPF is consumed, therefore the regeneration process occurs less frequently over time.

The lower in speed or load the engine operates, the lower the exhaust temperature. Accordingly, less particulate matter (PM) inside the DPF is consumed, therefore more accumulation of PM will occur, which requires frequent regeneration, therefore avoid prolonged idling if possible.

● Auto Regeneration Mode specified conditions

In order for the Auto Regeneration to begin, all of the listed conditions must be satisfied. If any one of the listed conditions are not satisfied, the process can not begin.

- (1) The engine coolant temperature.
- (2) The DPF temperature.
- (3) The engine speed is around 1200 rpm or higher.

- Usually it takes 15-20 minutes to complete the regeneration cycle.

It may depend on ambient temperature, exhaust temperature and engine speed.

- It is recommended to do the regenerating while the engine is warm.

- Do not unnecessarily start and interrupt the regeneration process. Otherwise, a small amount of fuel becomes mixed with the engine oil, which degrades the oil quality.

- While the DPF is being regenerated, the engine air flow rate is automatically limited to keep up the exhaust temperature. Because of this the engine may sound differently, this is normal for this engine.

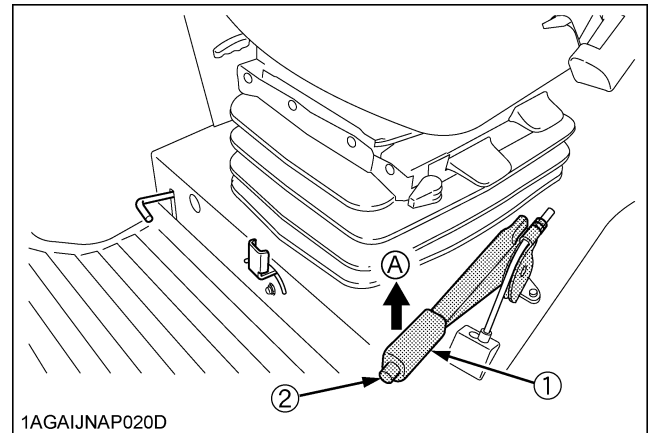
- Just after the regeneration has ended, the DPF muffler remains hot. It is advisable to keep the engine running for about 5 minutes to allow cooling of the exhaust components.

STARTING THE ENGINE

1. Make sure the parking brake is set.

Pull the parking brake lever up to park.

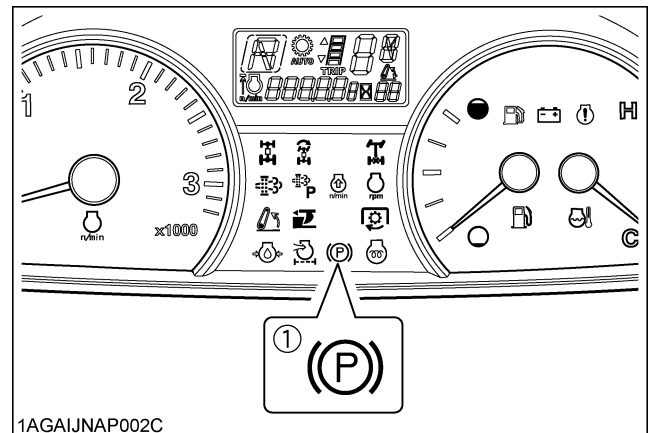
The parking brake indicator light on the Easy Checker(TM) will come on while the parking brake is set.



(1) Parking brake lever

(A) "PULL"

(2) Release button

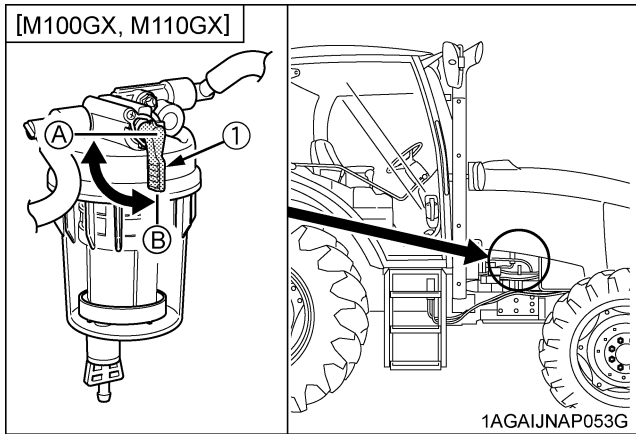


(1) Parking brake warning indicator

IMPORTANT :

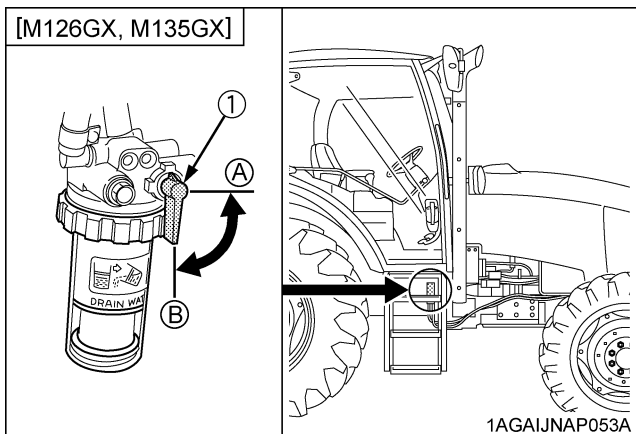
- If the tractor is operated with the parking brake set, the parking brake will be damaged.

2. Make sure the fuel cock is in the "OPEN" position.



(1) Fuel cock

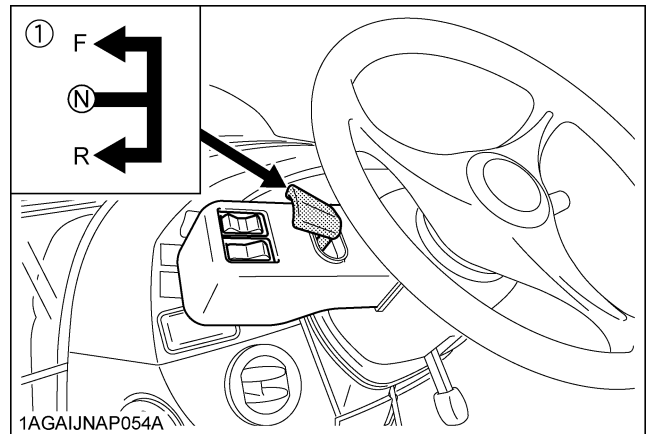
(A) "CLOSE"
(B) "OPEN"



(1) Fuel cock

(A) "CLOSE"
(B) "OPEN"

3. Place the shuttle shift lever in "NEUTRAL" position.

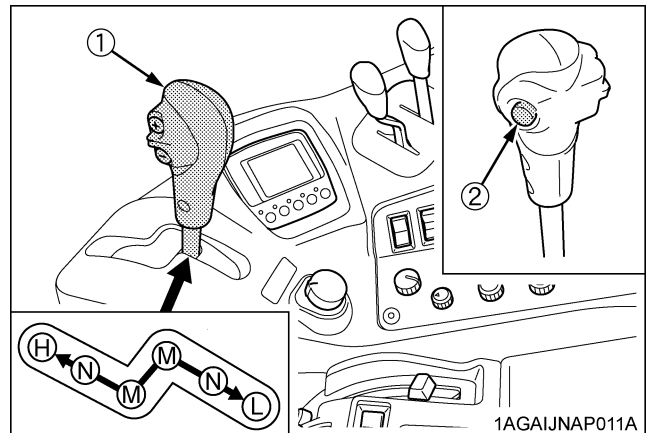


(1) Shuttle shift lever

(F) "FORWARD"
(N) "NEUTRAL POSITION"
(R) "REVERSE"

4. Place the power shift / range shift lever in "NEUTRAL" position.

Shift the lever to neutral.

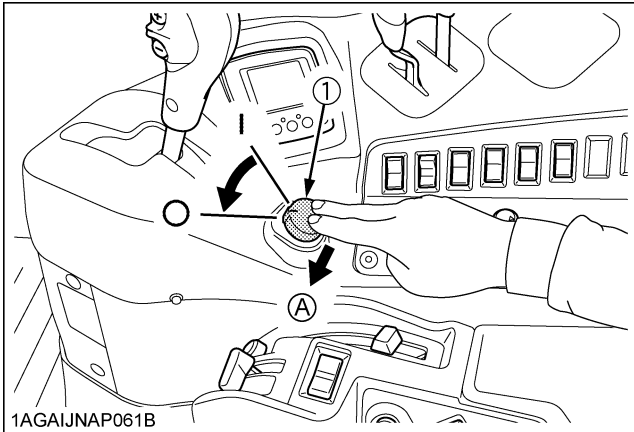


(1) Power shift / Range shift lever

(2) Clutch button

(H) "HIGH"
(M) "MIDDLE"
(L) "LOW"
(N) "NEUTRAL POSITION"

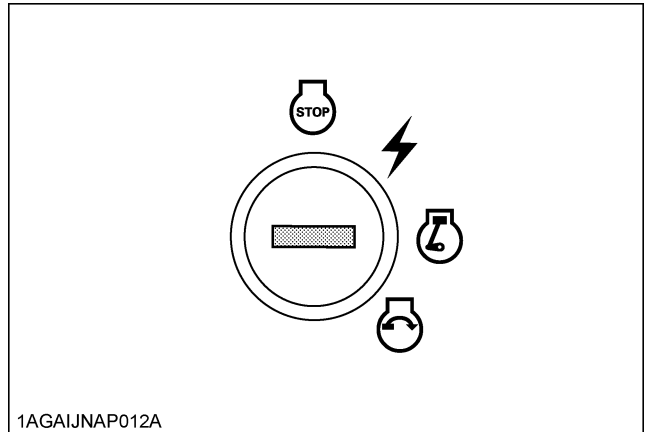
5. Place the PTO clutch control switch in "OFF" position.



1AGAIJNAP061B

- (1) PTO clutch control switch
- ! "ON" (Engaged)
 - "OFF" (Disengaged)
 - (A) "PUSH"

7. Insert the key into the key switch and turn it "ON".

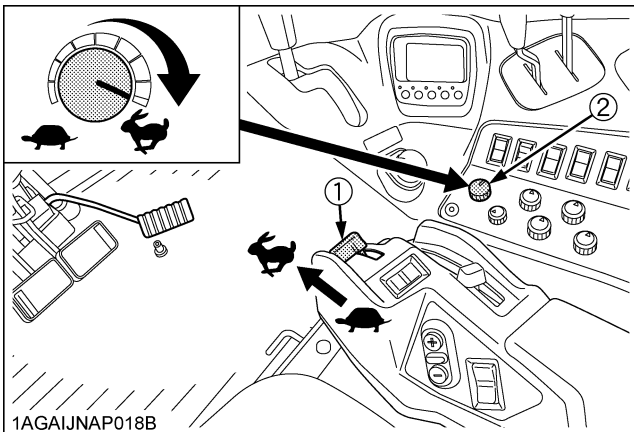


1AGAIJNAP012A

- STOP "OFF" (Engine-Stop)
- ON "ON" (Engine-Run)
- ACC "ACC" (Electrical Power-accessories)
- START "START" (Engine-Start)

6. Set the throttle lever at the minimum speed position.

When the Rev-limiter control dial is set, the engine speed will not exceed the speed that is set. Even when the hand throttle lever is operated. Turn the dial all the way to the right to the " " position.



1AGAIJNAP018B

- (1) Hand throttle lever
- ↗ "INCREASE"
 - ↘ "DECREASE"
- (2) Rev-limiter control dial

NOTE:

- ACC...
- All the accessories can be used while the engine is stopped.
 - Do not leave the key at "ACC" position. The battery will be quickly discharged. Turn it back to "OFF" after use.

■ Check Easy Checker(TM) Lamps

Turn the key to "ON" position and make sure the following indicators light up (start flashing) or stay off.

◆ Indicators that light up: (1), (4), (5), (6), (7), (8)

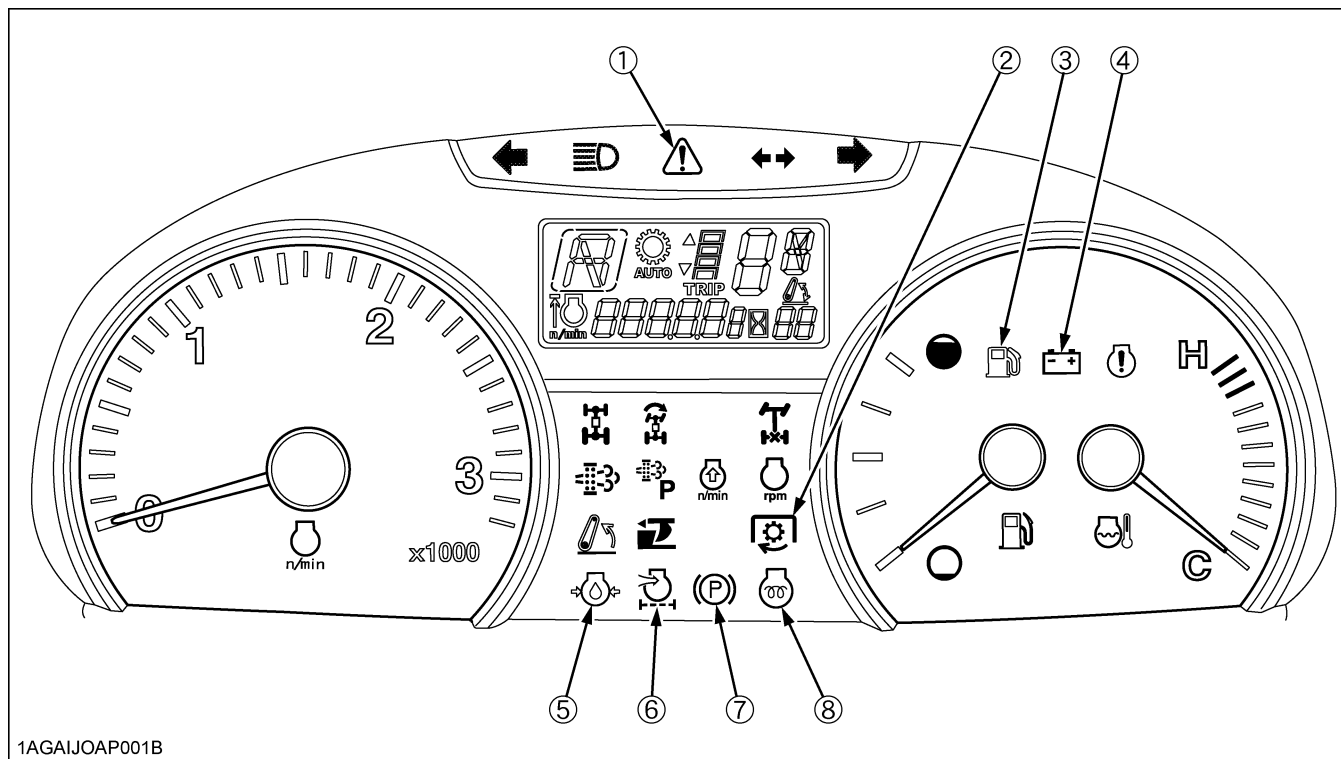
- Indicator (8) does not light up when the coolant temperature is 5 °C or higher.
- If indicator (7) does not light up, engage the parking brake.

◆ Indicators that stay off: (2), (3)

- If indicator (2) lights up, turn the PTO switch to "OFF".
- If indicator (3) lights up, add fuel.

IMPORTANT :

- If any of the indicators fail to light up, consult your local KUBOTA Dealer for this service.



1AGAIJOAP001B

(1) Master system warning indicator

(2) PTO clutch indicator

(3) Fuel level indicator

(4) Electrical charge warning indicator

(5) Engine oil pressure warning indicator

(6) Air cleaner indicator

(7) Parking brake warning indicator

(8) Heater indicator

NOTE :

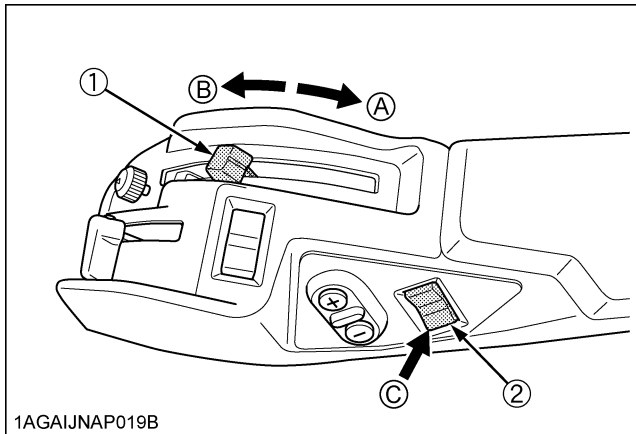
- Some of the Easy Checker(TM) lamps may light up or start flashing depending on the positions of the levers and switches on the 3-point hitch control panel.

IMPORTANT :

- Daily checks with the Easy Checker(TM) only, are not sufficient. Never fail to conduct daily checks carefully by referring to Daily Check. (See "DAILY CHECK" in "PERIODIC SERVICE" section.)

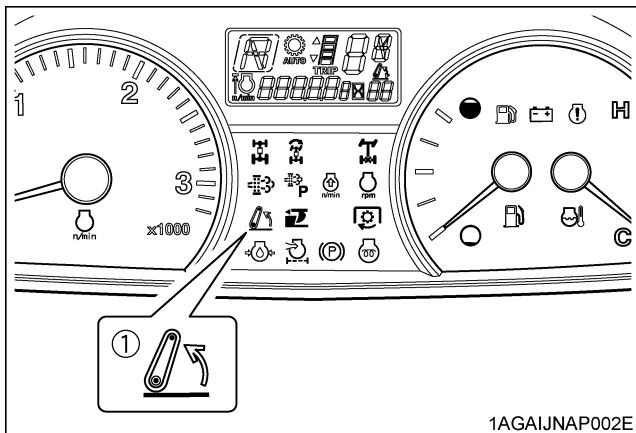
8. Lower the implement.

1. Move the hydraulic control lever to "UP" position and then move it back to "LOWEST" position.
2. If the implement does not lower and the 3-P. Lifting / Lowering indicator starts flashing, push the 3-P. Quick lower switch and release the position lock. (The implement will lower and indicator light will turn off.) Then lower the implement to the ground using the hydraulic control lever.



1AGAIJNAP019B

- (1) Hydraulic control lever (A) "UP"
 (2) 3-P. Quick lower switch (B) "DOWN"
 (C) "PUSH"



1AGAIJNAP002E

- (1) 3-P. Lifting / Lowering indicator

NOTE :

- The implement does not go down if the 3-point hitch is "LOCKED" with 3-point hitch lowering lock lever. (For details, see "3-Point Hitch Lowering Lock Lever" in "3-POINT HITCH CONTROL SYSTEM" in "HYDRAULIC UNIT" section.)

9. Fully depress the clutch pedal, turn the key to "START" position and release when the engine starts.

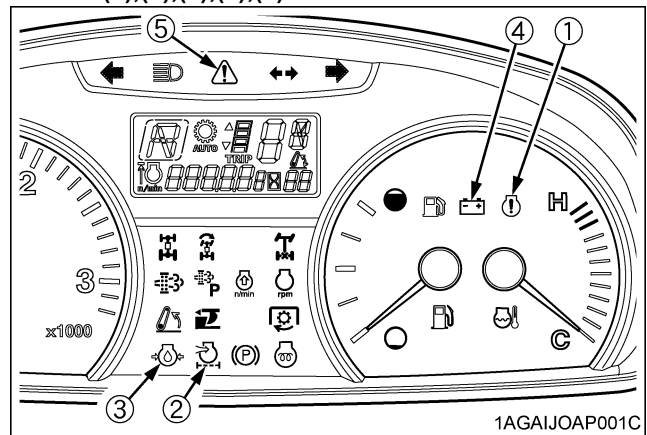
IMPORTANT :

- Because of safety devices, the engine will not start except when the PTO clutch control switch is placed in the "OFF" position and power shift / range shift lever is placed in the "NEUTRAL" position.

10. Check to see that all the lamps on the Easy Checker(TM) are "OFF".

If the lamp is still on, immediately stop the engine and determine the cause.

- ◆ Indicators that will turn off after starting the engine are: (1),(2),(3),(4),(5)



1AGAIJOAP001C

- (1) Engine warning indicator
 (2) Air cleaner indicator
 (3) Engine oil pressure warning indicator
 (4) Electrical charge warning indicator
 (5) Master system warning indicator

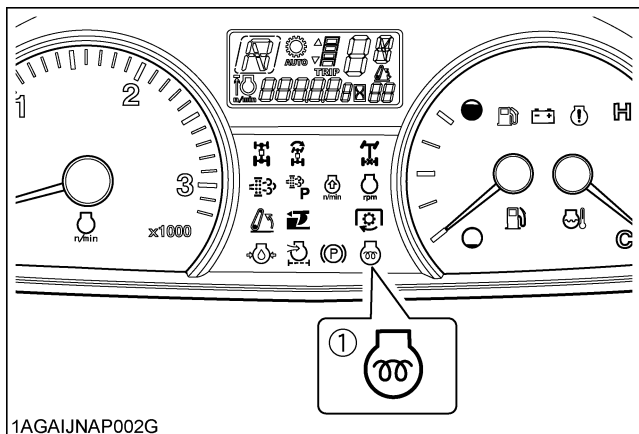
11. Release the clutch pedal.

COLD WEATHER STARTING

If the ambient temperature is below 0 °C and the engine is very cold, follow the procedure below after taking the step 1 through 8 in the previous pages.

9. Turn the key to "ON" position and hold it until the heater indicator turns off.

Heater indicator comes on when the key is turned to "ON" position and engine coolant temperature is below 0 °C, and goes off automatically when preheat is completed.



1AGAIJNAP002G

(1) Heater indicator

10. Turn the key to the start position and the engine should start.

(If the engine fails to start after 10 seconds, turn off the key for 30 seconds. Then repeat steps 9 and 10. To protect the battery and the starter, make sure that the starter is not continuously turned for more than 10 seconds.)

■ Block Heater (if equipped)

A block heater is available as an option from your dealer. It will assist you in starting your tractor when the ambient temperature is below -20 °C.

STOPPING THE ENGINE

1. After slowing the engine to idle, wait 3 to 5 minutes for turbo to slow down and then turn the key to "OFF".
2. Remove the key.

NOTE :

- If key does not stop the engine, consult your local KUBOTA Dealer.

WARMING UP



CAUTION

To avoid personal injury:

- Be sure to set the parking brake during warm-up.
- Be sure to set all shift levers to the "NEUTRAL" positions and to place PTO switch in "OFF" position during warm-up.

For five minutes after engine start-up, allow engine to warm up without applying any load, this is to allow oil to reach every engine part. If load should be applied to the engine without this warm-up period, trouble such as seizure, breakage or premature wear may develop.

■ Warm-up and Transmission Oil at Low Temperature Range

Hydraulic oil serves as transmission fluid. In cold weather, the oil may be cold with increased viscosity. This can cause delayed oil circulation or abnormally low hydraulic pressure for some time after engine start-up. This in turn can result in trouble in the hydraulic system.

To prevent the above, observe the following instructions: Warm up the engine at about 50 % of rated rpm according to the table below:

Ambient temperature	Warm-up time requirement
Higher than 0 °C	Approx. 5 minutes
0 to -10 °C	10 to 20 minutes
-10 to -20 °C	20 to 30 minutes
Below -20 °C	More than 30 minutes

IMPORTANT :

- Do not operate the tractor under full load condition until it is sufficiently warmed up.

JUMP STARTING



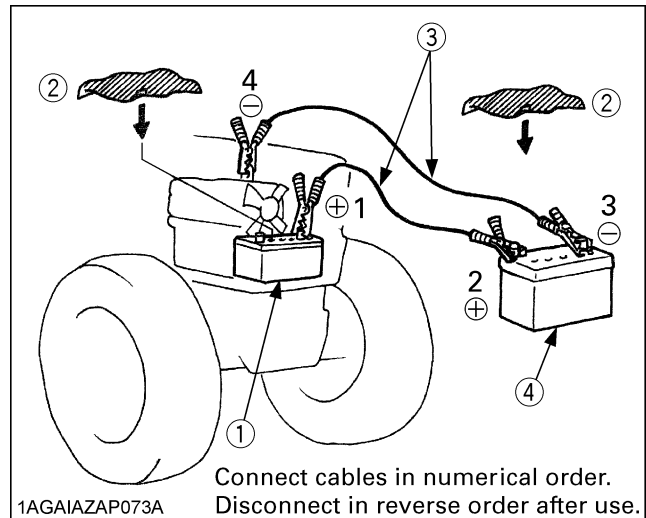
CAUTION

To avoid personal injury:

- Battery gases can explode. Keep cigarettes, sparks, and flames away from battery.
- If tractor battery is frozen, do not jump start engine.
- Do not connect other end of negative (-) jumper cable to negative (-) terminal of tractor battery.

When jump starting engine, follow the instructions below to safely start the engine.

1. Bring helper vehicle with a battery of the same voltage as disabled tractor within easy cable reach. "THE VEHICLES MUST NOT TOUCH".
2. Engage the parking brakes of both vehicles and put the shift levers in neutral. Shut both engines off.
3. Put on safety goggles and rubber gloves.
4. Ensure the vent caps are securely in place. (if equipped)
5. Cover vent holes with damp rags. Do not allow the rag to touch the battery terminals.
6. Attach the red clamp to the positive (red, (+) or pos.) terminal of the dead battery and clamp the other end of the same cable to the positive (red, (+) or pos.) terminal of the helper battery.
7. Clamp the other cable to the negative (black, (-) or neg.) terminal of the helper battery.
8. Clamp the other end to the engine block or frame of the disabled tractor as far from the dead battery as possible.
9. Start the helper vehicle and let its engine run for a few moments. Start the disabled tractor.
10. Disconnect the jumper cables in the exact reverse order of attachment. (Steps 8, 7 and 6).
11. Remove and discard the damp rags.



- (1) Dead battery
 (2) Lay a damp rag over the vent caps
 (3) Jumper cables
 (4) Helper battery

IMPORTANT :

- This machine has a 12 volt negative (-) ground starting system.
- Use only same voltage for jump starting.
- Use of a higher voltage source on tractor's electrical system could result in severe damage to tractor's electrical system.
 Use only matching voltage source when "Jump starting" a low or dead battery condition.
- Do not operate the tractor with the battery cable disconnected from the battery.
- Do not operate the tractor without the battery mounted.
- Do not operate the tractor with the battery dead. Charge the battery fully enough before operating the tractor.
 Otherwise the tractor might malfunction.

OPERATING THE TRACTOR

OPERATING NEW TRACTOR

How a new tractor is handled and maintained determines the life of the tractor.

A new tractor just off the factory production line has been, of course, tested, but the various parts are not accustomed to each other, so care should be taken to operate the tractor for the first 50 hours at a slower speed and avoid excessive work or operation until the various parts become "broken-in". The manner in which the tractor is handled during the "breaking-in" period greatly affects the life of your tractor.

Therefore, to obtain the maximum performance and the longest life of the tractor, it is very important to properly break-in your tractor. In handling a new tractor, the following precautions should be observed.

■ Do not Operate the Tractor at Full Speed for the First 50 Hours.

- Do not start quickly nor apply the brakes suddenly.
- In winter, operate the tractor after fully warming up the engine.
- Do not run the engine at speeds faster than necessary.
- On rough roads, slow down to suitable speeds. Do not operate the tractor at fast speed.

The above precautions are not limited only to new tractors, but to all tractors. But it should be especially observed in the case of new tractors.

■ Changing Lubricating Oil for New Tractors

The lubricating oil is especially important in the case of a new tractor. The various parts are not "broken-in" and are not accustomed to each other; small metal grit may develop during the operation of the tractor; and this may wear out or damage the parts. Therefore, care should be taken to change the lubricating oil a little earlier than would ordinarily be required.

For further details of change interval hours.
(See "MAINTENANCE" section.)

BOARDING AND LEAVING THE TRACTOR

1. Never try to get on or off a moving tractor or jump off the tractor to exit.
2. Face the tractor when getting into or out of the tractor. Do not use the controls as hand holds to prevent inadvertent machine movements.
3. Always keep steps and floor clean to avoid slippery conditions.



STARTING

1. Adjusting the Operator's Position.

NOTE :

- The seat and suspension should be adjusted to ensure that the controls are comfortably at hand for the operator, ensuring that the operator maintains a good posture and minimizes risks from whole body vibration.

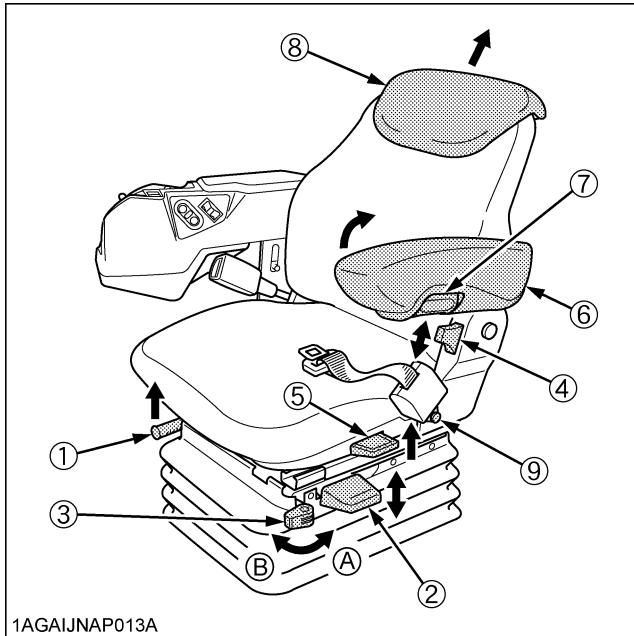
■ Operator's Seat



CAUTION

To avoid personal injury:

- Make adjustments to the seat only while the tractor is stopped.
- Make sure that the seat is completely secured after each adjustment.
- Do not allow any person other than the operator to ride on the tractor.



1AGAIJNAP013A

- | | |
|----------------------------------|-----------|
| (1) Travel adjust lever | (A) "ON" |
| (2) Weight / Height adjust lever | (B) "OFF" |
| (3) Fore/aft isolator | |
| (4) Backrest tilt adjust lever | |
| (5) Swivel adjust lever | |
| (6) Arm rest | |
| (7) Arm rest adjustment | |
| (8) Backrest extension | |
| (9) Button | |

◆ Travel adjustment

Pull the travel adjust lever and slide the seat backward or forward, as required. The seat will lock in position when the lever is released.

◆ Weight and Height adjustment

Turn on the key switch. The seat should be adjusted for the operator's weight by briefly pulling up or pushing down the weight / height adjust lever with the tractor in a stationary position and the operator sitting on the seat. The seat can be adjusted in its adjustable range.

NOTE :

- If the seat is lowered below the adjustable range, it automatically comes up to the lower limit of the adjustable range just when the weight / height adjust lever is released.
- When turning on the key switch, the seat may slightly move up depending on a preset seat position (height).

IMPORTANT :

- In order to avoid damage of the seat, do not operate the weight / height adjust lever for more than 1 minute.

◆ Fore / aft isolator

Set the isolator in "ON" position so that shock impacts in the direction of travel can be better absorbed by the seat.

◆ Tilt adjustment

Pull the backrest tilt adjust lever and tilt the backrest to the desired position.

◆ Arm rest (LH)

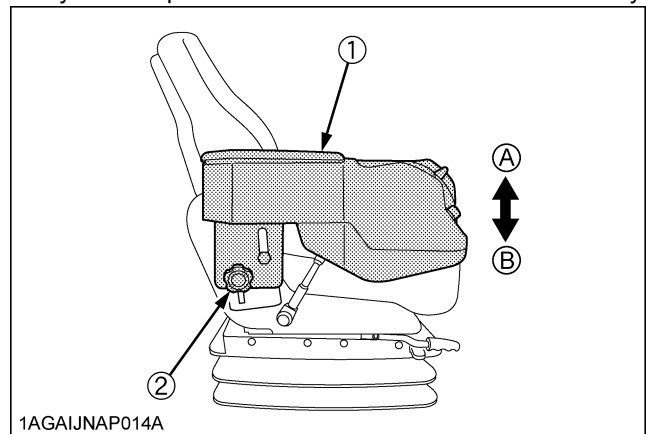
Armrest may be set at upright position if desired.

◆ Arm rest height adjustment (LH)

Turn the adjustment knob to the desired height of the armrests.

◆ Arm rest (RH)

The right arm rest height is adjustable. To reposition the arm rest height, loosen the knob nut and slide the arm rest upward or downward, and securely tighten it by hand so that you can operate the levers and switches comfortably.



1AGAIJNAP014A

- | | |
|-------------------|------------|
| (1) Arm rest (RH) | (A) "HIGH" |
| (2) Knob nut | (B) "LOW" |

◆ Backrest extension

Pull the backrest extension to the desired height.

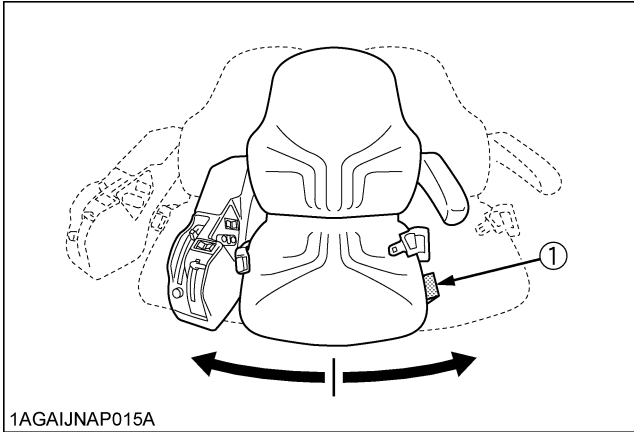
◆ Swivel adjustment

Unlock the swivel adjust lever and rotate the seat right or left as desired.

NOTE:

Using the swivel seat

- Swivel the seat to the right and left to position yourself comfortably for jobs in which you need to look rearwards.
- Turn the seat to the left to facilitate getting in and out of the tractor.
- The seat can swivel in both directions.



1AGAIJNAP015A

(1) Swivel adjust lever

■ **Seat Belt**



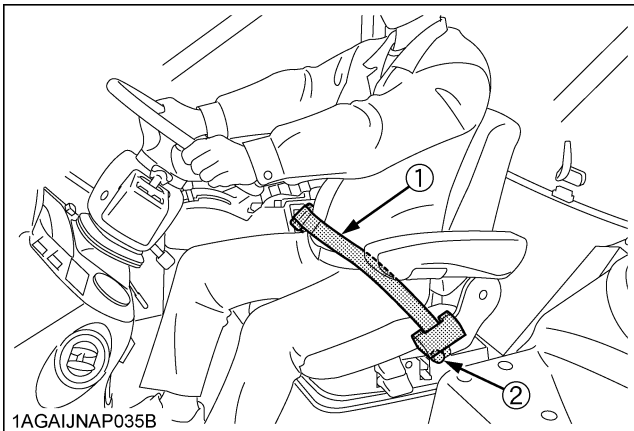
WARNING

To avoid personal injury:

- Always use the seat belt when any ROPS or CAB are installed.

Pull the seat belt with the button being pushed, and connect the buckle.

After adjusting the seat belt for proper fit, release the button so that the belt can be locked.



1AGAIJNAP035B

(1) Seat belt
(2) Button

■ **Instructional Seat**
(if equipped)



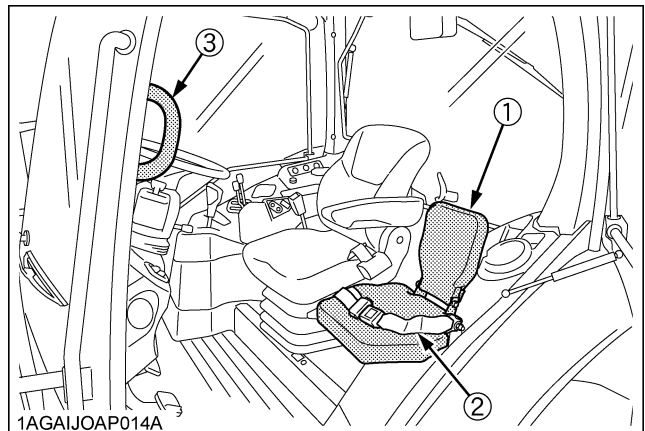
CAUTION

To avoid personal injury:

- Instructional seat is provided only for training and instructing operators or diagnosing machine problems.
- It is not intended to carry children nor any other person for any other purpose.
- Always wear your seat belt and stabilize your body by holding the handrail on the CAB frame.
- Use caution to avoid the risks of obstructing operator's view, falling from the machine and interfering with controls.

◆ **Precautions in Using the Instructional Seat**

1. Before taking the seat, make sure it is securely locked.
2. To avoid an unexpected opening and closing, get the door locked with the left door lock knob.
3. Always wear your seat belt and stabilize yourself by holding the handrail at the left CAB frame front.



1AGAIJOAP014A

(1) Instructional seat
(2) Seat belt
(3) Handrail

4. Run the tractor at low speed.
5. Do not start and stop the tractor suddenly, nor take a sharp turn.
6. Do not drive the tractor along expressways and public ways.

IMPORTANT :

- Fold the instructional seat when not in use.
- Instructional seat is not a rack. Never put anything heavy on the seat.
- The instructional seat can be used only when permitted by your local laws. (Consult your local KUBOTA Dealer for further details.)

Steering Adjustment

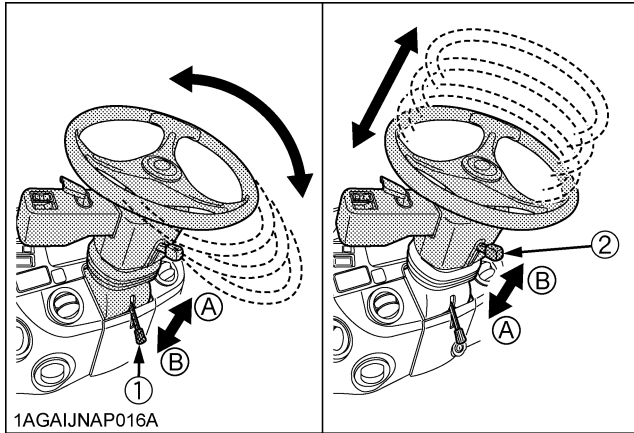


CAUTION

To avoid personal injury:

- Do not adjust the steering wheel while the tractor is in motion.

Adjust the steering wheel to the best driving position using tilt and telescope levers.

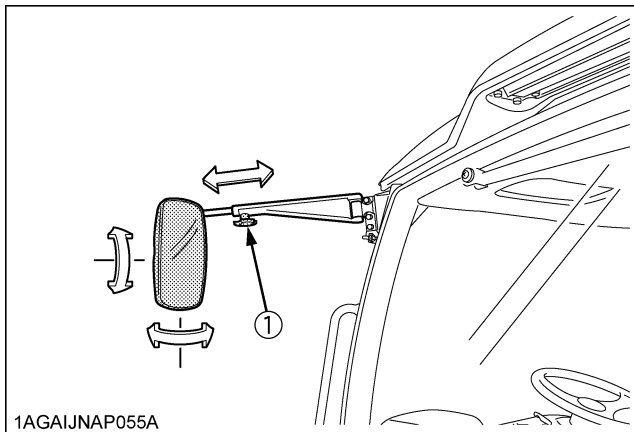


- (1) Tilt lever
(2) Telescope lever

- (A) "UNLOCK"
(B) "LOCK"

Extendable Mirror

1. To alter the length: Loosen the knob bolt and move the mirror to the required position, then tighten the knob bolt.
2. To adjust mirror head: Hold firmly, tilt horizontally and vertically as required.



- (1) Knob bolt

2. Selecting Light Switch Positions.

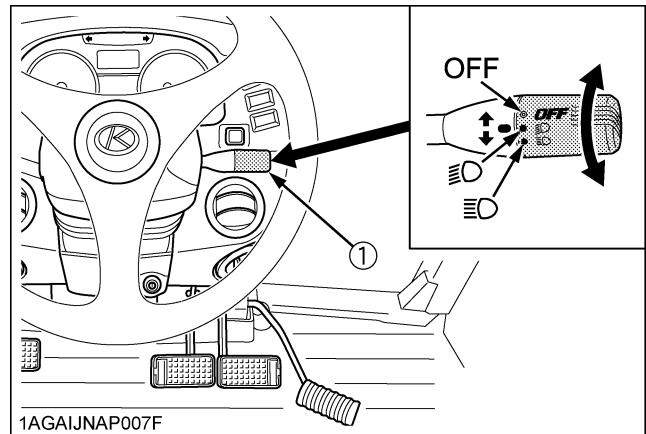
Light Switch

1. Turn the key to the "ON" position.
2. Turn the switch knob clockwise, and the following lights are activated on the knob position.

OFF..... Head lights OFF.

☾..... Head lights dimmed, low beam.

☽..... Head lights ON, high beam.



- (1) Head light switch

NOTE :

- High beam indicator will be on when head light switch is in "high beam" position.

Turn Signal / Hazard Light Switch

◆ Hazard Light

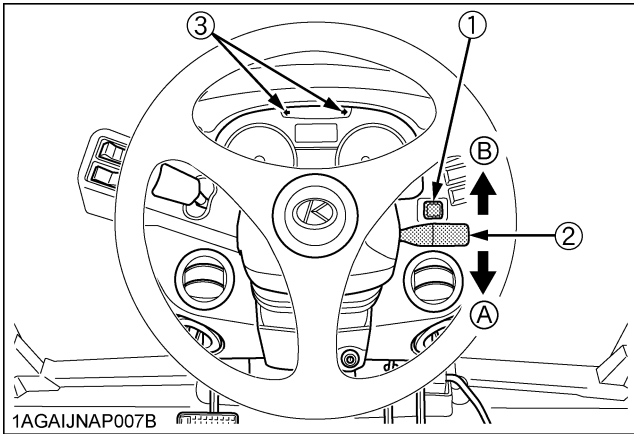
1. When the hazard light switch is pushed, the hazard lights flash, along with the L/H and R/H indicators on the instrument panel.
2. Push the hazard light switch again to turn off the hazard lights.

◆ Turn signal light

To indicate a right turn, turn the turn signal light switch clockwise. To indicate a left turn, turn the turn signal light switch counter-clockwise. The corresponding right and left turn signal lights and indicator on the instrument panel will flash.

NOTE :

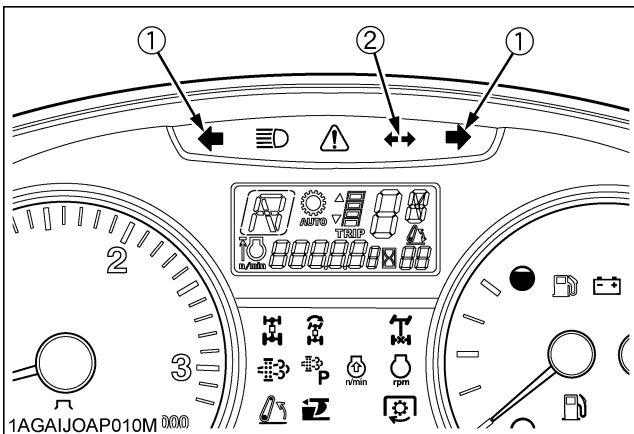
- The hazard light switch is operative when the key switch is in the "ON", "ACC" or "OFF" position.
- The turn signal light switch is only operative when the key switch is in the "ON" position.
- Be sure to return the turn signal switch to center position after turning.



(1) Hazard light switch (A) "RIGHT TURN"
 (2) Turn signal light switch (B) "LEFT TURN"
 (3) Hazard / Turn signal indicator

With Trailer Connector

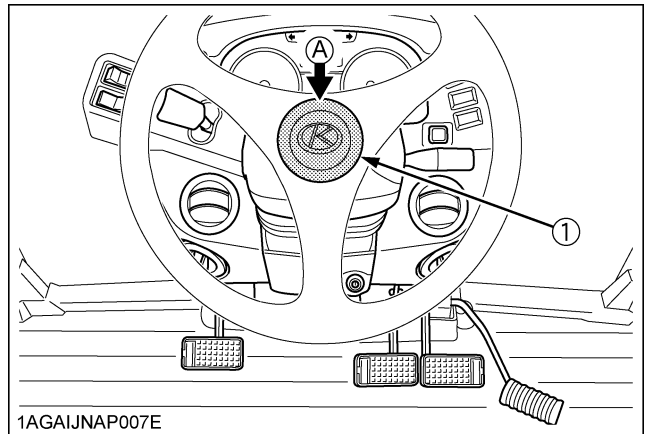
When you operate the turn signal light switch with the trailer power connector connected, the trailer indicator in the instrumental panel also starts flashing along with the turn signal indicator.



(1) Hazard / Turn signal indicator
 (2) Trailer indicator

Horn Button

The horn will sound when the key switch is "ON" position and horn button is pushed.



(1) Horn button (A) "PUSH"

Work Light Switch (Front)

Work Light Switch (Rear)

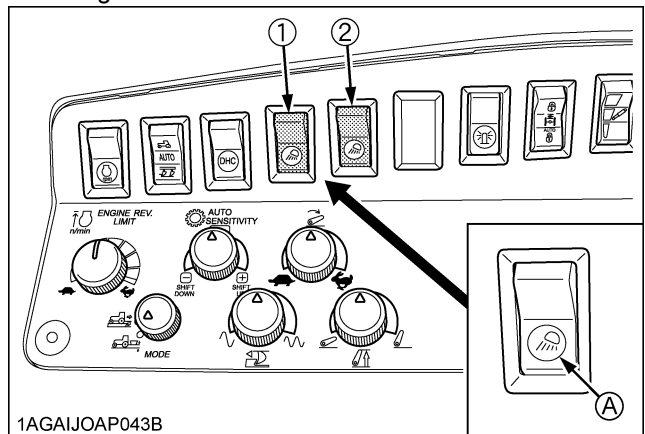


CAUTION

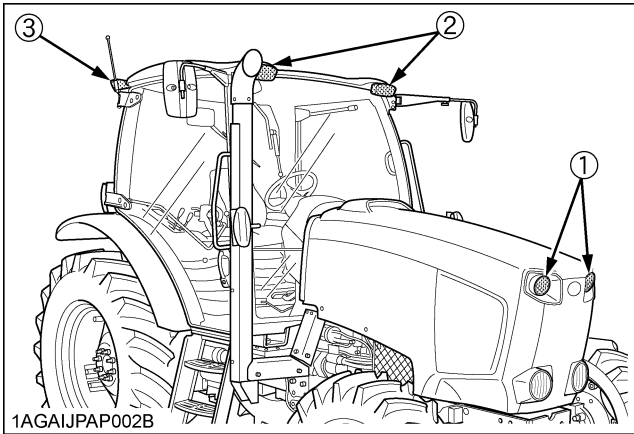
To avoid personal injury:

- Do not operate on roads with work lights on. Work lights may blind or confuse operators of oncoming vehicles.

Turn on the key switch and press the bottom half of the work light switch. The work light and the switch's indicator light up. Press the top half of the work light switch to turn off the light and indicator.



(1) Front work light switch (A) Indicator for work lights
 (2) Rear work light switch



- 1AGAIJPAP002B
- (1) Front work light (Hood)
 (2) Front work light
 (3) Rear work light

3. Checking the Brake Pedal.

■ Brake Pedals (Right and Left)



WARNING

To avoid personal injury:

- Be sure to interlock the right and left pedals. Applying only one rear wheel brake at high speeds could cause the tractor to swerve or roll-over.
- Be sure brake pedals have equal adjustment when using locked together. Incorrect or unequal brake pedal adjustment can cause the tractor to swerve or roll-over.

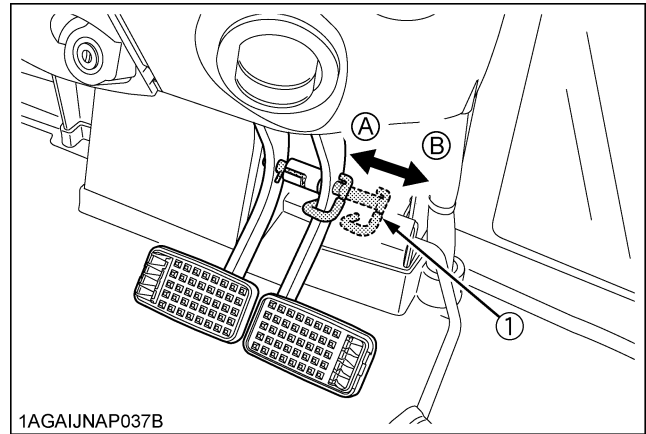


CAUTION

To avoid personal injury:

- Be aware of the enhanced braking characteristics of 4 wheel braking system. Appropriate care should be taken during hard braking and/or when pulling towed loads.
- Do not make sudden braking. An accident may occur such as by heavy towed load shifting forward or loss of control.
- To avoid skidding and loss of steering control when driving on icy, wet, or loose surfaces, make sure the tractor is correctly ballasted, operated at reduced speed, operated with front wheel drive engaged (If equipped).
- The braking characteristics are different between two and four wheel drive. Be aware of the difference and use carefully.

1. Before operating the tractor on the road, be sure to interlock the right and left pedals as illustrated below.
2. Use individual brakes to assist in making sharp turns at slow speeds (Field Operation Only). Disengage the brake pedal lock and depress only one brake pedal.
3. Be sure brake pedals have equal adjustment when being used locked together.



1AGAIJNAP037B

(1) Brake pedal lock

(A) "LOCK"
 (B) "RELEASE"

◆ 4WD Braking System [4WD model]

4WD model tractor is equipped with 4WD braking system. When both brake pedals are applied together, the front axle is engaged for four wheel braking regardless of the mode selected at the 4WD/Bi-speed turn switch. The 4WD indicator light is not illuminated unless the front axle is engaged with the selector switch.



WARNING

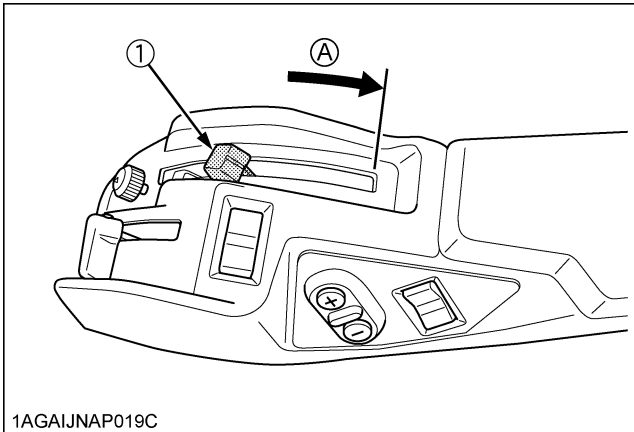
To avoid the possibility of personal injury or property damage from machine runaway during testing, service or repair with the rear wheels off the ground, make sure:

- Battery is disconnected and engine is not started.

If it is necessary to run the engine, make sure:

- Both front and rear wheels are off the ground and secured with stands before starting engine.

4. Raise the Implement.
(see "HYDRAULIC UNIT" section.)



1AGAIJNAP019C

(1) Position control lever (A) "UP"

5. Depress the Clutch Pedal.

■ Clutch Pedal

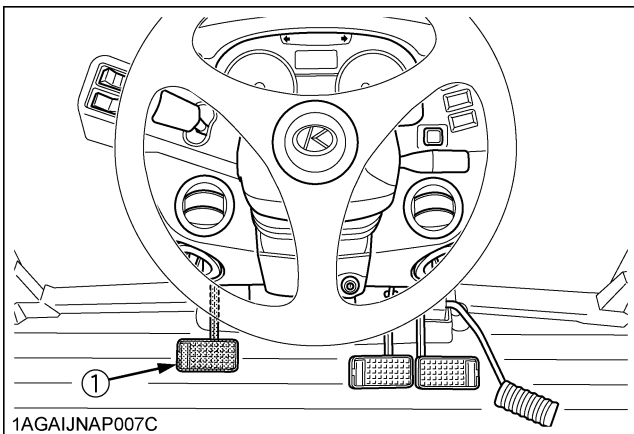


CAUTION

To avoid personal injury:

- Sudden release of the clutch may cause the tractor to lunge in an unexpected manner.
- Always use the clutch pedal to start the tractor.

The clutch is disengaged when the clutch pedal is fully pressed down.



1AGAIJNAP007C

(1) Clutch pedal

IMPORTANT:

To help prevent premature clutch wear:

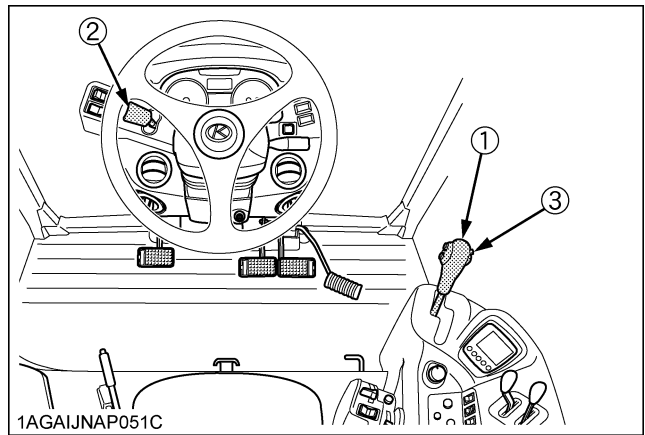
- The clutch pedal must be quickly disengaged and be slowly engaged.
- Avoid operating the tractor with your foot resting on the clutch pedal.
- Select proper gear and engine speed depending on the type of job.
- If the warning buzzer sounds too often during usual job, the tractor may require reprogramming. Consult your local KUBOTA Dealer for this service.

NOTE :

- If the clutch is operated in a partially engaged condition, the clutch will disengage automatically and the warning buzzer will sound to protect the clutch. Take one of the following steps to stop the buzzer. Do not let the buzzer sound continuously.

1. Fully depress the clutch pedal.
2. Press the clutch button on the power shift / range shift lever.
3. Shift the shuttle lever to "NEUTRAL".

6. Selecting the Travel Speed.



1AGAIJNAP051C

- (1) Power shift / Range shift lever (PS. Lever)
- (2) Shuttle lever
- (3) Clutch button

By combination of using the Power shift / Range shift lever and Shuttle lever, forward speeds and reverse speeds shown in the table below are obtained.

Standard model	Without creep	24 forward speeds 24 reverse speeds
	With creep (option)	32 forward speeds 32 reverse speeds



CAUTION

To avoid personal injury:

- Use the clutch when making an emergency stop or working in confined areas, such as getting the tractor in position to attach an implement.
- An accident may occur with erratic shifting operation.
For safe operation, push up-shift or down-shift buttons only one gear at a time.
- Avoid changing gears when climbing or descending a slope.
- Before ascending or descending a slope, shift to a gear low enough to control the tractor speed without using brakes.
If you shift gears while ascending or descending a slope, be prepared to use the brakes to maintain control.
- Operate in reverse at slow speeds to maintain control.

■ Power Shift / Range Shift Lever (PS. Lever)

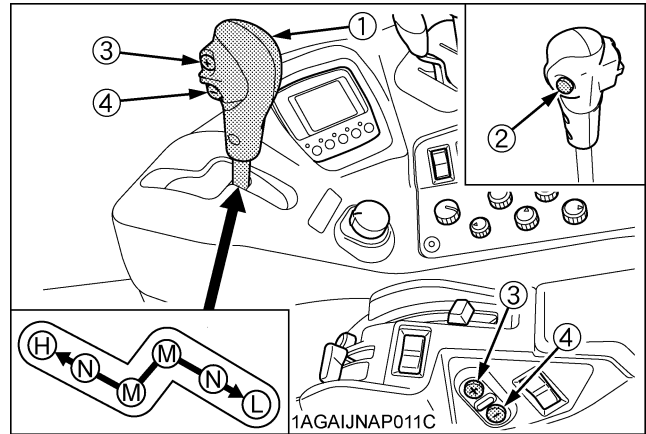
- When changing speeds, there is no need to use the clutch.
Press the up-shift or down-shift buttons, and the speeds 1 thru 8 can be selected. (A beep tone is heard at each speed change.)
- To select a speed range (H, M or L), stop the machine with depressing the clutch pedal.
Then hold down the clutch button on the PS. lever and shift the PS. lever to the desired position. By utilizing the combination of PS. lever and 8 shift button positions, 24 speeds can be obtained.
- The selected speed (1 to 8) and speed range (H, M, L or N) are displayed on the instrument panel.



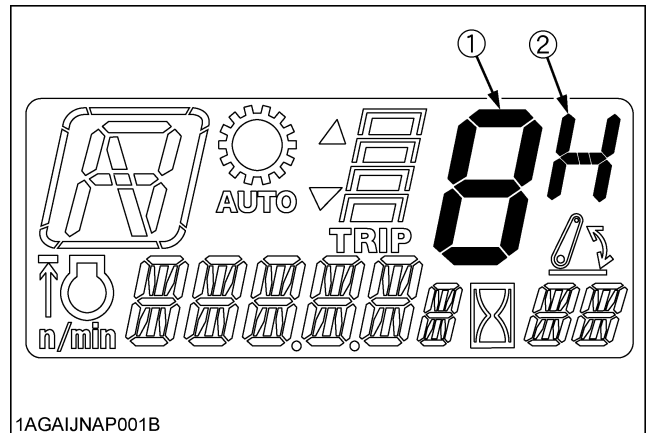
CAUTION

To avoid personal injury:

- If you release the clutch button when the power shift/range shift lever is at the position "L" "M" or "H", the clutch becomes engaged and the tractor will begin to move.
- Always use the clutch pedal to start the tractor.



- (1) Power shift / Range shift lever (PS.Lever) (H) "HIGH"
(2) Clutch button (M) "MIDDLE"
(3) Up-shift button (L) "LOW"
(4) Down-shift button (N) "NEUTRAL POSITION"



- (1) Selected-speed (1 to 8 or E)
(2) Selected-speed range (H, M, L or N)

NOTE :

- If the Hydraulic shuttle lever is at "FORWARD or REVERSE", when you move the PS. lever to "H", "M" or "L" without pressing the clutch button, the alarm buzzer sounds and the tractor does not move. ("E" appears in the selected-speed display.)
To stop the buzzer and restart the tractor:
 - (1) Move the PS. lever back to "N".
 - (2) Holding down the PS. lever's clutch button, move the lever to "H", "M" or "L".
 - (3) Release the clutch button, and the tractor will move.

◆ **Basic operation**

1. Start the engine, select a speed range "L", "M" or "H" with the PS. lever, and the tractor is set at low speed (1), middle speed (1) [9th] or high speed (1) [17th]. ("1" appears on the display.)
2. With the PS. lever at "NEUTRAL", select a speed (1st to 8th) first using the button and then a speed range, the selected speed with button is obtained.
3. With the PS. lever at "NEUTRAL" and hold down the button, the speeds change themselves continuously. (1st to 8th or 8th to 1st)
4. With a speed range "L", "M" or "H" selected, depressing the button changes the speeds. If the shuttle lever is set at "NEUTRAL" or the clutch pedal stays "DISENGAGED", however, the speeds change themselves continuously. (1st to 8th or 8th to 1st)
5. Main gear shift speed memory function:
 Suppose that a job was done at a travel speed, the speed range (L, M, H) was changed and then the original speed range was returned. The memory function serves to automatically pick up the previously selected main gear number.
 Only when the speed range is "H" and the main gear shift is somewhere between Speed 4 (20th) and Speed 8 (24th), however, the "H-3" speed (19th) is automatically selected.

● **Memorized speed**

Power shift / Range shift lever				
L1~8 (1st to 8th)	⇨ Shift up	H1~8 (17th to 24th) M1~8 (9th to 16th)	⇨ Shift down	L1~8 (1st to 8th)
M1~8 (9th to 16th)	⇨ Shift up	H1~8 (17th to 24th)	⇨ Shift down	M1~8 (9th to 16th)
M1~8 (9th to 16th)	⇨ Shift down	L1~8 (1st to 8th)	⇨ Shift up	M1~8 (9th to 16th)
H1~3 (17th to 19th)	⇨ Shift down	L1~8 (1st to 8th)	⇨ Shift up	H1~3 (17th to 19th)
H4~8 (20th to 24th)				H3 (19th)
H1~3 (17th to 19th)	⇨ Shift down	M1~8 (9th to 16th)	⇨ Shift up	H1~3 (17th to 19th)
H4~8 (20th to 24th)				H3 (19th)

NOTE :

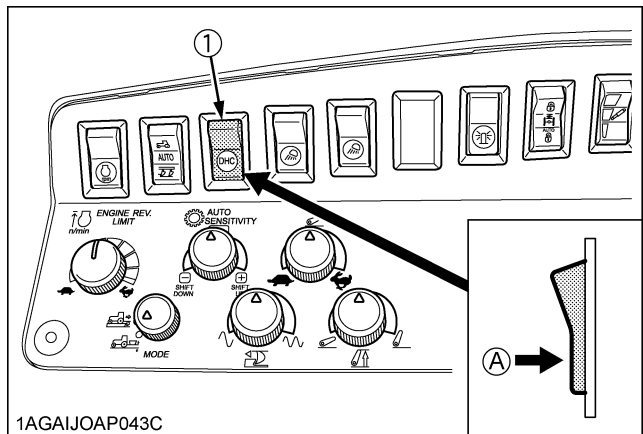
- Turn off the key switch, and the memory will be cleared.

IMPORTANT :

- Before selecting a speed range, be sure to stop the tractor. Step on the brake pedal and shift the PS. lever slowly.
- When you have shifted the PS. lever to "L", "M" or "H" range, be sure to look at the indicator for the power shift position. Then release the clutch button or the clutch pedal.
- Start in lower gears and shift one gear at a time until desired gear is obtained.
- To prolong clutch life, avoid slipping the hydraulic clutch. Pay attention to the following points:
 - Select proper gear and engine speed depending on the type of job.
 - Avoid lugging the engine, especially in higher gears. If RPM's drop excessively, shift to a lower gear.
- In cold climate, it may take longer for the tractor to move after the PS. lever is moved. This is because the transmission oil must warm up.
 - Properly warm up the machine. If there is not enough time to do so, start the machine with the clutch pedal slowly.
 - There is no problem with a delay in starting. The machine will start as the oil temperature increases.

■ **DHC switch**

On this tractor, the engine load and other fluctuations are sensed and the speed is well controlled in response to the loads. Turn the DHC switch "ON" when using a traction PTO attachment (baler, etc.) on a slope. A well responsive speed control can be expected. In other applications, turn this switch "OFF". Smooth speed change is available for comfortable ride.



(1) DHC switch

(A) "Push to ON"

NOTE :

- While the DHC switch is at "ON", the hydraulic clutch behaves quicker at a speed change. Even working on a slope, therefore, the push-out of an attachment can be minimized. (Do not change speeds when doing heavy-duty traction on a steep slope.)

Shuttle Lever



CAUTION

To avoid personal injury:

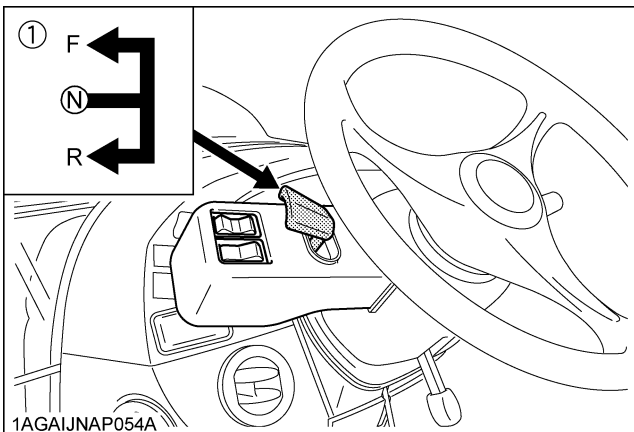
- When attempting to shift the shuttle shift lever on a slope, be sure to completely stop the tractor.
- Slow down the engine speed before shifting the shuttle lever.
- Use the shuttle lever when the machine speed is below 11 km/h.

NOTE :

- Otherwise the clutch gets disengaged and the buzzer starts sounding. To get the clutch reengaged and clear the buzzer, take either of the following steps.
 - (1) Place the shuttle lever back to the original position. Decrease the machine speed lower than 11 km/h and use the shuttle lever.
 - (2) Stop the tractor first and bring the shuttle lever back to the original position.

Raise up and shift the shuttle shift lever forward to obtain forward speeds and shift it backward to obtain reverse speeds without using the clutch pedal.

With the shuttle lever at neutral, press the up-shift/down-shift button of the power shift / range shift lever, select the main speed (1st thru 8th speed) and then switch the sub-speed range. Now the selected main speed is kept on whether at "L", "M" or "H".

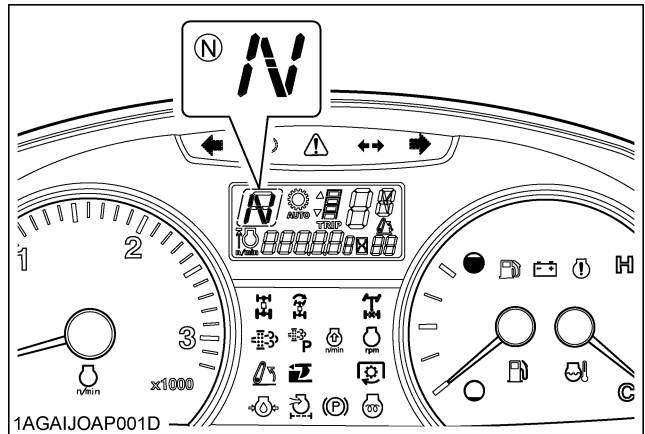


(1) Shuttle lever

- (F) "FORWARD"
- (N) "NEUTRAL"
- (R) "REVERSE"

NOTE :

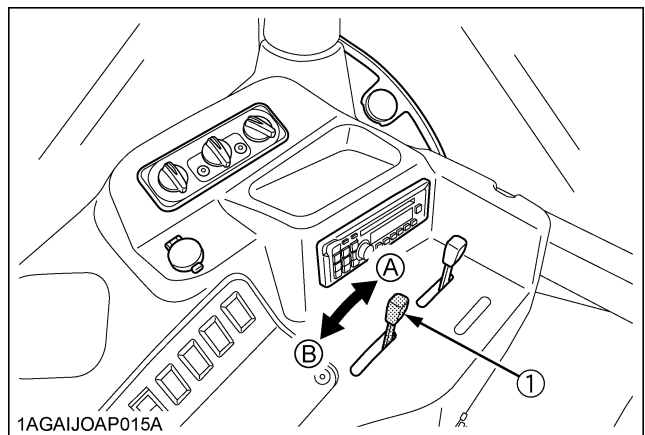
- While the shuttle shift lever is at the "NEUTRAL" position, the "N" character appears on the LCD monitor.



(N) "NEUTRAL"

Creep Lever (if equipped)

Shift the creep lever at "LOW" to obtain low speeds with power shift / range shift lever is selected "L" range. With the creep lever engaged (ON), the speed range cannot shift to "M" and "H". (The creep mode does not operate in the middle-speed and high-speed ranges.) This shifting requires clutch operation.



(1) Creep Lever

- (A) "LOW".....Creep ON
- (B) "HIGH".....Creep OFF

◆ Creep speed should be used only when doing one of the following jobs:

1. Deep rotary-tilling and harrowing
2. Planting
3. Turf application

◆ Creep speed can not be used for any of the followings:

1. Pulling a trailer
2. Front-loader operation
3. Front-blade operation
4. Earth-moving

5. Entering and leaving a field
6. Loading onto and unloading from a truck

CAUTION

To avoid personal injury:

- When you leave the tractor, be sure to apply the parking brake and stop the engine.
- **IN APPLYING THE BRAKES:**
 - The torque of the wheel axle is extremely high while creep speed is being used. Be sure to step down on the clutch pedal completely before applying the brakes, or the torque will overcome the brakes.
 - When starting to operate the tractor, be sure to release the parking brakes. Misuse of the brakes may cause damage to the transmission and is therefore not acceptable to KUBOTA for coverage under the warranty.

IMPORTANT :

- Press the clutch pedal completely down and stop the tractor's motion before shifting the range gear shift lever.

4WD / Bi-speed Turn Switch [4WD model]

CAUTION

To avoid personal injury:

- Do not engage the front wheel drive when traveling at road speed.
- When driving on icy, wet, or loose surfaces, make sure the tractor is correctly ballasted to avoid skidding and loss of steering control. Operate at reduced speed and engage front wheel drive.
- 4WD model tractor is equipped with 4 wheel braking and appropriate care should be taken during hard braking.
- An accident may occur if the tractor is suddenly braked, such as by heavy towed loads shifting forward or loss of control.
- The braking characteristics are different between two and four wheel drive tractor models. Be aware of the difference and use carefully.
- Do not use "Bi-speed Turn" at high speed.
- "Bi-speed Turn" enables short and fast turns, therefore, become familiar with its performance before operating in close or confined areas.

Press the right half of this switch;

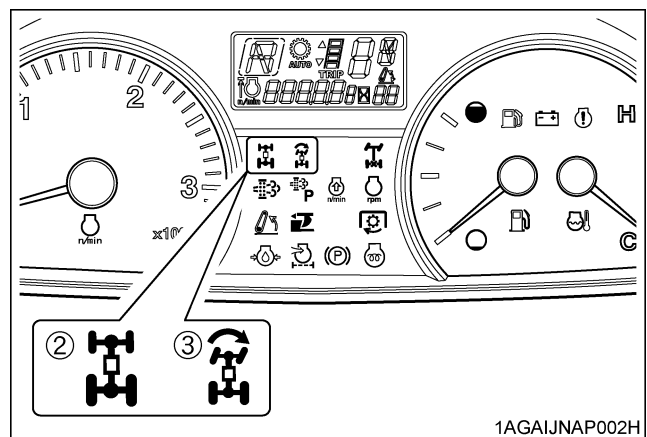
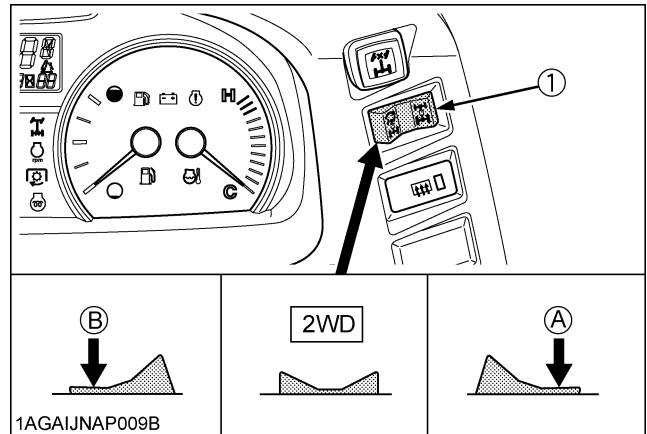
The front wheel drive (4WD) is engaged.
The 4WD indicator comes on when the system is in 4WD mode.

Press the left half;

The Bi-speed turn system activates.
The 4WD indicator and Bi-speed turn indicator come on when the system is in Bi-speed turn mode.

It returns to a central position;

The drive system returns to 2WD mode
The all indicators goes off when the system is in 2WD mode.



- (1) 4WD/Bi-speed Turn switch
- (2) 4WD indicator
- (3) Bi-speed turn indicator
- (A) 4WD "ON"
- (B) Bi-speed turn "ON"

NOTE :

- This switch can be operated when the tractor is on the go or at rest without depressing the clutch.
- Bi-speed turn system works when you press the "4WD/Bi-speed turn switch" and the front tire (inside of the turn) exceeds 35 degrees. Bi-speed turn makes the front tire speed 1.6 times faster than the standard 4WD front tire speed.
- "Bi-speed Turn" operates only when the travel speed is "H-3 (19th)" or lower and the tractor travel speed is 10 km/h (6.2 mph) or less at the start of the turn.
- If the "Bi-speed Turn" indicator is flashing, then Bi-speed Turn will not operate.

◆ **Front wheel drive is effective for the following jobs:**

1. When greater pulling force is needed, such as working in a wet field, when pulling a trailer, or when working with a front-end loader.
2. When working in sandy soil.
3. When working on a hard soil where a rotary tiller might push the tractor forward.
4. For increased braking at reduced speed.

◆ **Bi-speed turn use is effective for the following jobs:**

1. Turning at the end of rows. (planting, cultivating, harrowing.)
2. Increasing maneuverability when working in tight spaces.

IMPORTANT :

- Tires will wear quickly if the front wheel drive is engaged on paved roads.

7. Accelerate the Engine.

■ **Hand Throttle Lever**

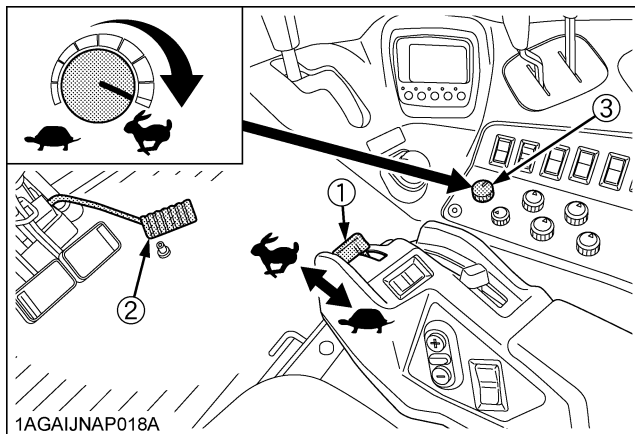
Pulling the throttle lever back decreases engine speed, and pushing it forward increases engine speed.

■ **Foot Throttle**

Use the foot throttle when traveling on the road. Press down on it for higher speed. The foot throttle is interlocked with the hand throttle lever; when using the foot throttle, keep the hand throttle lever in low idling position.

■ **Rev-limiter Control Dial**

This dial can be used to set the desired maximum engine speed. (See "Rev-limiter control setting" in "ELECTRONIC ENGINE CONTROL" in "OPERATING THE TRACTOR" section.)

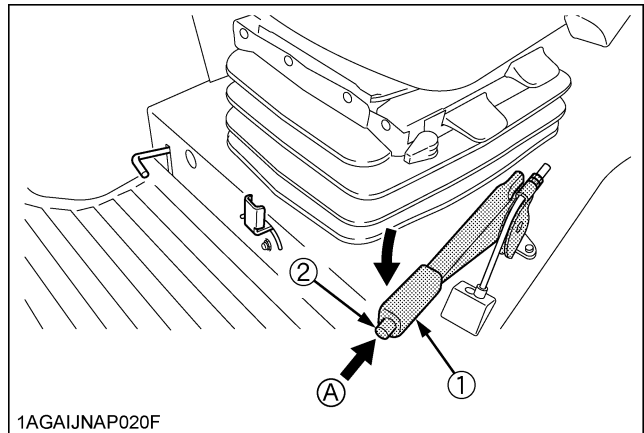


- (1) Hand throttle lever ↗ "INCREASE"
 (2) Foot throttle ↘ "DECREASE"
 (3) Rev-limiter control dial

8. Unlock the Parking Brake and Slowly Release the Clutch.

■ **Parking Brake Lever**

To release the parking brake, depress the brake pedal, push the release button and push the parking brake lever down.



- (1) Parking brake lever (A) "RELEASE"
 (2) Release button

NOTE :

- The parking brake warning indicator light on the Easy Checker(TM) will turn off when the parking brake is unlocked. If the tractor starts moving when the parking brake is engaged, the alarm buzzer sounds and the parking brake warning indicator flashes.

IMPORTANT :

- Do not attempt to put the tractor in motion before the parking brake indicator light turns off.
- If the tractor is operated with the parking brake set, the parking brake might be damaged.

STOPPING

■ **Stopping**

1. Slow down the engine.
2. Step on the clutch and brake pedal.
3. After the tractor has stopped, disengage the PTO, lower the implement to the ground, shift the transmission to neutral, release the clutch pedal, and set the parking brake.

CHECK DURING DRIVING

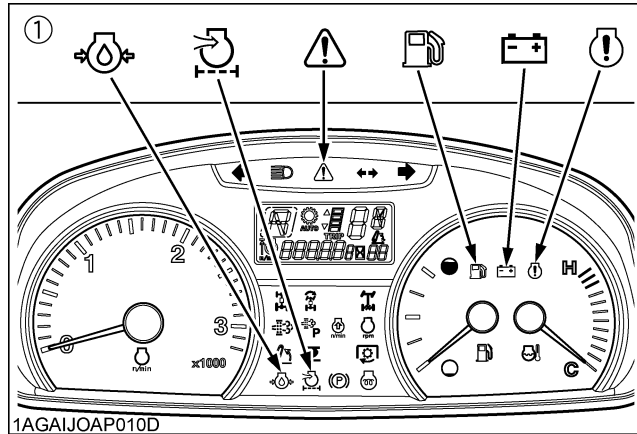
■ **Immediately Stop the Engine if:**

- The engine suddenly slows down or accelerates,
- Unusual noises are suddenly heard,
- Exhaust fumes suddenly become very dark,

■ Easy Checker(TM)

If the warning lamps in the Easy Checker(TM) come on during operation, immediately stop the engine, and find the cause as shown below.

Never operate the tractor while Easy Checker(TM) lamp is on.



(1) Easy Checker(TM)

! Engine warning

This indicator serves the following two functions. If the indicator lights up, pinpoint the cause and take a proper measure.

1. Error with the engine control system

If during operation the water temperature gauge reads an acceptable level but the warning lamp in the Easy Checker(TM) comes on, stop the engine and get it restarted. If the error happens again, consult your local KUBOTA Dealer.

IMPORTANT :

- If the warning indicator lights up, the following phenomena may appear depending on the engine's trouble spot.
 - The engine stops unexpectedly.
 - The engine fails to start or gets interrupted just after start.
 - The engine output is not enough.
 - The engine output is enough, but the warning indicator stays on.

If the engine output is not enough, immediately interrupt the operation and move the tractor to a safe place and stop the engine.

2. Engine overheat

If the water temperature gauge reads an unusual level and the warning lamp in the Easy Checker(TM) comes on, the engine may have got overheated. Check the tractor by referring to "TROUBLESHOOTING" section.

! Engine oil pressure

If the oil pressure in the engine goes below the prescribed level, the warning lamp in the Easy Checker(TM) will come on.

If this should happen during operation, and it does not go off when the engine is accelerated to more than 1000 rpm, check level of engine oil.

(See "Checking Engine Oil Level" in "DAILY CHECK" in "PERIODIC SERVICE" section.)

Fuel level

If the fuel in the tank goes below the prescribed level, the warning lamp in the Easy Checker(TM) will come on. (less than 38 L.)

If this should happen during operation, refuel as soon as possible.

(See "Checking and Refueling" in "DAILY CHECK" in "PERIODIC SERVICE" section.)

IMPORTANT :

- When the fuel warning lamp lights up, refuel the tank as soon as possible. If the tractor runs out of fuel and stalls, the engine and its components may be damaged.

Air cleaner

If the air cleaner is clogged, the warning lamp in the Easy Checker(TM) will come on.

If this should happen during operation, clean the air cleaner element.

(See "Cleaning Air Cleaner Primary Element" in "EVERY 100 HOURS" in "PERIODIC SERVICE" section.)

Electrical charge

If the alternator is not charging the battery, the Easy Checker(TM) will come on.

If this should happen during operation, check the electrical charging system or consult your local KUBOTA Dealer.

! Master system warning

If trouble should occur at the engine, transmission, hydraulic or other control parts, the indicator flashes as a warning. If the trouble is not corrected by restarting the tractor, consult your local KUBOTA Dealer.

NOTE :

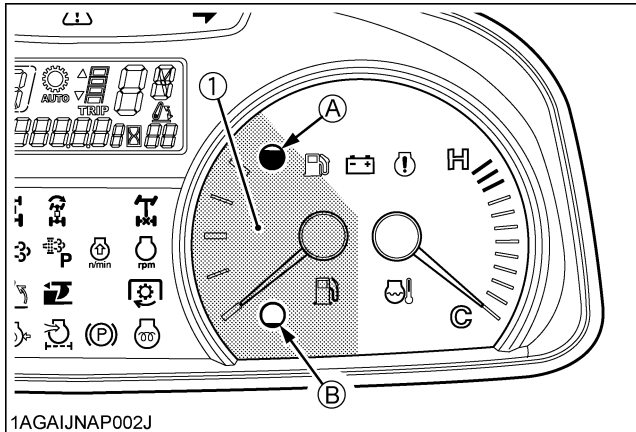
- For checking and servicing of your tractor, consult your local KUBOTA Dealer for instructions.

Fuel Gauge

A needle indicates the amount of fuel left regardless of the key position.

Be careful not to empty the fuel tank. Otherwise air may enter the fuel system.

Should this happen, the system should be bled (See "Bleeding Fuel System" in "SERVICE AS REQUIRED" in "PERIODIC SERVICE" section.)



1AGAIJNAP002J

(1) Fuel gauge

(A) "FULL"
(B) "EMPTY"

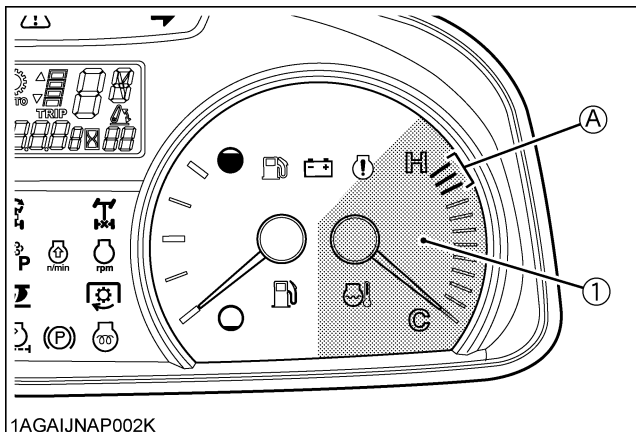
Coolant Temperature Gauge

CAUTION

To avoid personal injury:

- Do not remove radiator cap until coolant temperature is well below its boiling point. Then loosen cap slightly to the stop to relieve any pressure before removing cap completely.

- With the key switch at "ON", this gauge indicates the temperature of the coolant. "C" for "cold" and "H" for "hot."
- If the indicator reaches the red zone position, engine coolant is overheated. Check the tractor by referring to "TROUBLESHOOTING" section.



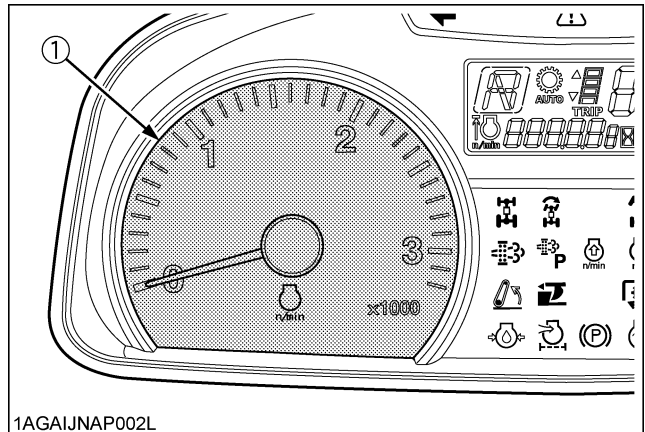
1AGAIJNAP002K

(1) Coolant temperature gauge

(A) "RED ZONE"

Tachometer

The tachometer indicates the engine speed on the dial.



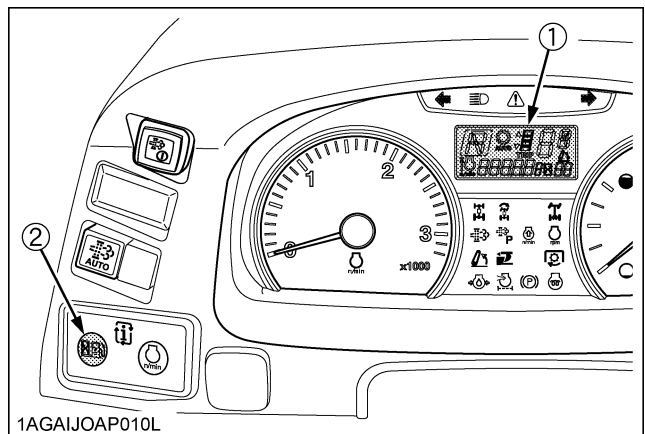
1AGAIJNAP002L

(1) Engine revolution

Hour / Trip Monitor

Display change

When the RPM dual memory setting is "OFF" and the Rev-limiter control setting is "OFF", the instrument panel LCD changes "Hour meter mode" and "Trip meter mode" each time the display switch is pressed. Select the appropriate display for the work being performed. If the "RPM dual memory setting" or "Rev-limiter control setting" is engaged, the set speed takes priority on the display.

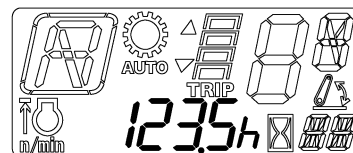


1AGAIJOAP010L

(1) LCD monitor
(2) Display switch

Hour meter mode

The tractor's total operating hours are displayed.

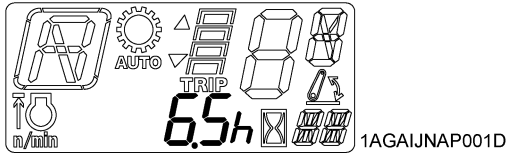


1AGAIJNAP001C

◆ **Trip meter mode**

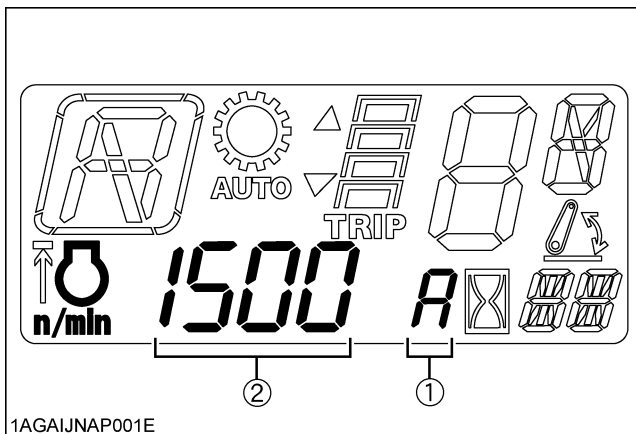
The total operating hours counted from the previous resetting is displayed.

Hold down the display switch for 2 seconds or longer to reset the trip meter to [0. 0].



◆ **Priority display**

If the "RPM dual memory setting" or "Rev-limiter control setting" is engaged, the set speed takes priority on the display. The figure shown below is an example of the display when the engine speed has been set for the switch A side.



- (1) Switch A
- (2) Set engine speed

SIDE DIGITAL DISPLAY

This display shows the following information.

1. Four rows with 30 types of tractor information, such as travel speed, PTO rpm and mileage can be selected by the operator.
2. Operating history for the past 4 months can be displayed.

This chapter covers "How to view and select" the 4 rows of information.

For the meanings and selection procedures of other data, as well as changing the display settings, refer to the "SIDE DIGITAL DISPLAY" appendices at the back of this manual.

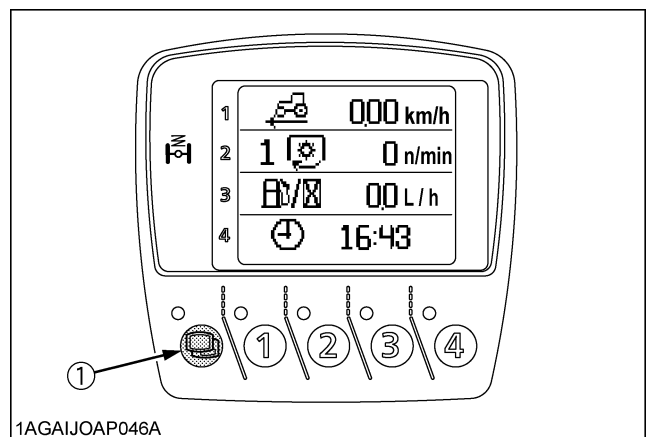
■ **Initial Setting**

Before use, make sure the tire circumference installed, the clock and the working range of implement are set.

Otherwise, the travel speed, work area, work distance and other data will not be correctly displayed.

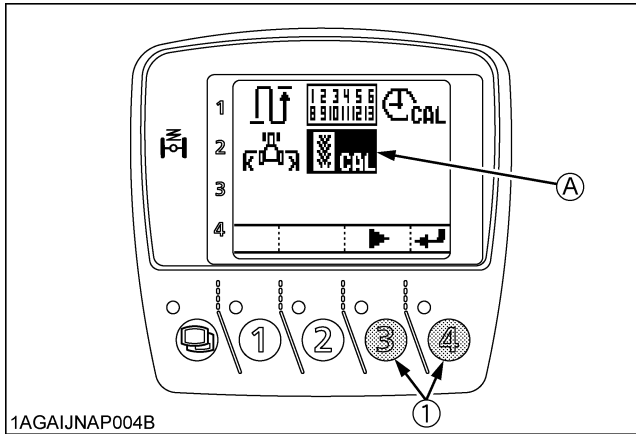
◆ **Setting procedure**

1. Turn on the key switch. With the following data on the screen, hold down the mode selector switch. Various screens can be selected.
2. Select the tire circumference setting mode with Switch 3 and press Switch 4 to go to the tire circumference setting screen.
3. Check to see if the tire circumference is correctly preset. If not, correct the numerical settings with Switches 1, 2 and 3, referring to the table below. Press Switch 4 to save the new setting.



- (1) Mode selector switch

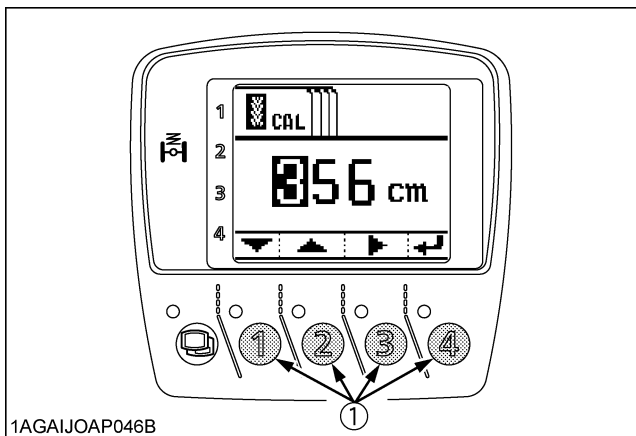
4. Select the tire circumference setting mode with Switch 3 and press Switch 4 to go to the tire circumference setting screen.



1AGAIJNAP004B

(1) Switch (A) "Tire circumference setting mode"

5. Check to see if the tire circumference is correctly preset. If not, correct the numerical settings with Switches 1, 2 and 3, referring to the table below. Press Switch 4 to save the new setting.



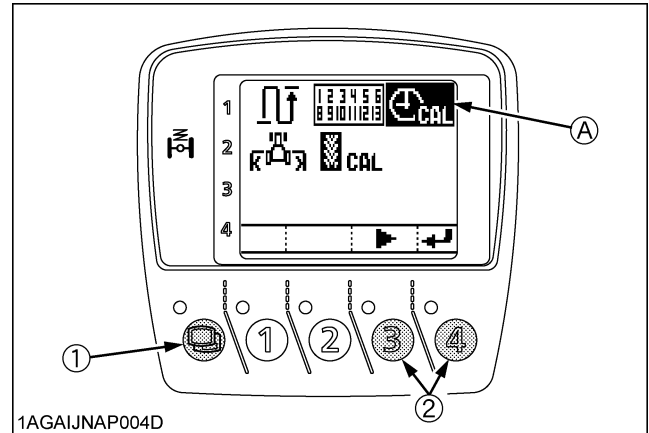
1AGAIJOAP046B

(1) Switch

◆ Tire circumference chart

Tractor type	Tire specification	Rear tire size	Entry (cm)
M100GX M110GX	Standard	480/70R34	471
		540/65R34	471
		420/85R34	476
M126GX M135GX	Standard	520/70R38	523
		460/85R38	528

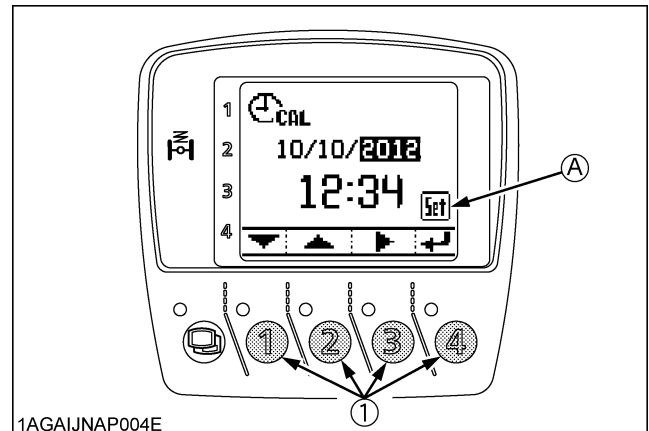
6. Go back to any of various setting mode screen. Select the clock setting mode with Switch 3. Press Switch 4, and the clock setting screen appears.



1AGAIJNAP004D

(1) Mode selector switch (A) "Clock setting mode"
(2) Switch

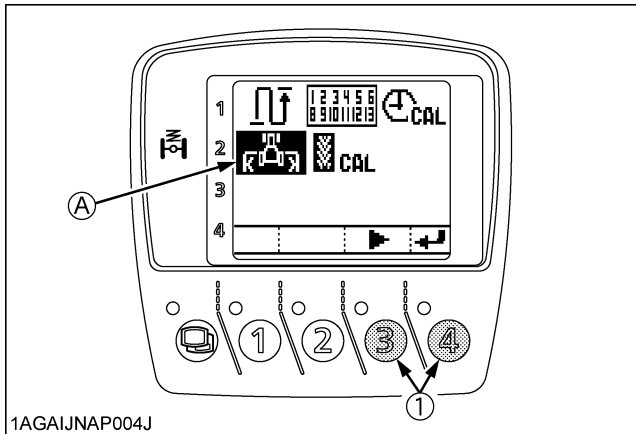
7. Check to see if the clock is correctly set. If not, set the correct date and time with Switches 1, 2 and 3. Select "Set" and press Switch 4 to save the new setting.



1AGAIJNAP004E

(1) Switch (A) "SET"

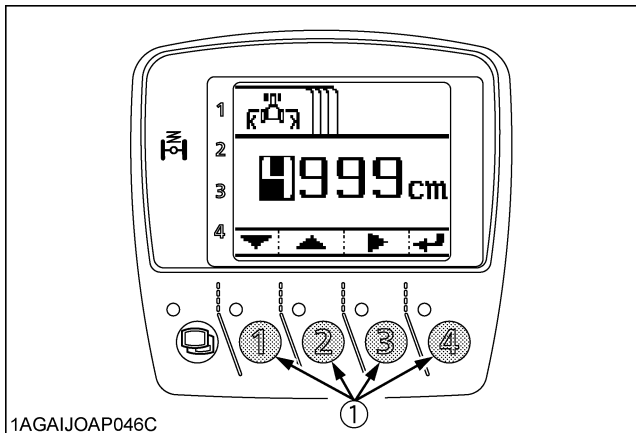
- Go back to any of various setting mode screen. Select the working range of implement setting mode with Switch 3. Press Switch 4, and the working range of implement setting screen appears.



1AGAIJNAP004J

(1) Switch (A) "Working range of implement setting mode"

- Using Switches 1, 2 and 3, enter the working range of implement. Press Switch 4 to save the setting.

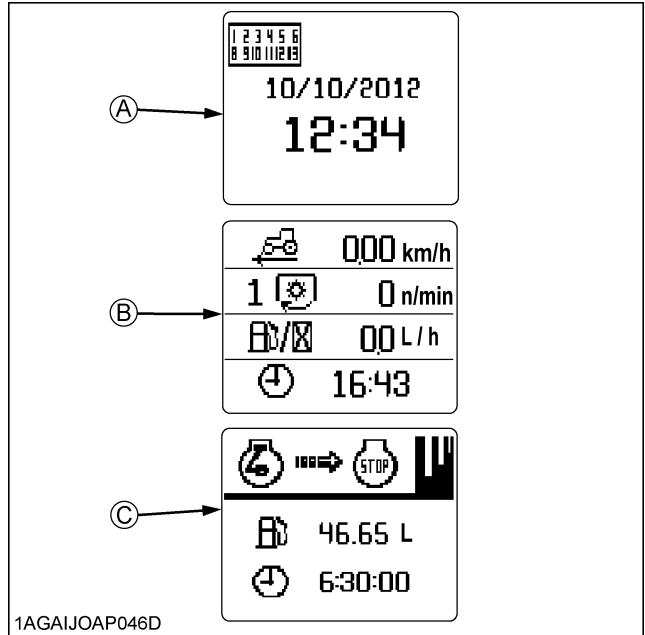


1AGAIJOAP046C

(1) Switch

■ Factory-set Screen Display

◆ **Display when the key switch is turned on and off**
 Turn on the key switch, and the current time is displayed. In a couple of seconds, the Default screen appears. Turn off the key switch, the "fuel consumption" and "operating hours" appear for a few seconds after the engine is started.



1AGAIJOAP046D

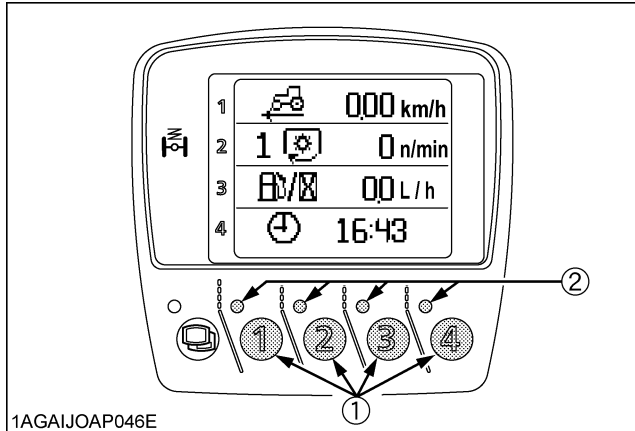
(A) "Current time"
 (B) "Default screen"
 (C) "With key switch turned off"

NOTE :

- The "current time" appears when the work history is on. For setting the display, refer to the "SIDE DIGITAL DISPLAY" appendices at the back of this manual.

◆ **Display Operating Procedures**

The display has been factory-set for the following 4 settings. They are interlocked from top to bottom with Switches 1 thru 4. For viewing and modifying the information, see the chart on the next page.













- (1) Switch
- (2) Indicator

Indicator

ON	Press the switch to change the display.
OFF	The display does not change even by pressing the switch.
FLASHING	The data are reset by holding down the switch.

◆ Standard factory settings and display changes

Info	Display	Remarks	Ref. page
Travel speed	Travel speed  0.00 km/h	<ul style="list-style-type: none"> Each time Switch 1 is pressed, the "travel speed" and "average travel speed" are displayed alternately. The "average travel speed" is based on the speed since the last reset action was performed. With the "average travel speed" displayed, hold down Switch 1. The setting goes back to "0.0". 	35
	Average travel speed  0.00 km/h		<p>NOTE :</p> <ul style="list-style-type: none"> The travel speed displayed does not account for wheel slip.
PTO	PTO rpm (Shift 1) 1  540 %/min	<ul style="list-style-type: none"> Each time Switch 2 is pressed, the "shift 1" and "shift 2" are displayed alternately. "1" is used to select 540 rpm. "2" is used to select 1000 rpm or 540E rpm (if equipped). 	66
	PTO rpm (Shift 2) 2  1000 %/min		66
Mileage	Instantaneous fuel consumption  15.0 L/h	<ul style="list-style-type: none"> Each time Switch 3 is pressed, the "instantaneous fuel consumption", "average fuel consumption" and "mileage graph" are displayed alternately. The "instantaneous fuel consumption" is measured per hour. The "average fuel consumption" is measured per hour from the previous resetting. With the "average fuel consumption" displayed, hold down Switch 3. The setting goes back to "0.0". The "mileage graph" graphically shows the mileage in real time. (The more the bar is extended to the right, the worse the mileage becomes.) 	-
	Average fuel consumption  10.0 L/h		-
	Mileage graph  		-
Clock	Time  15:14	<ul style="list-style-type: none"> Each time Switch 4 is pressed, the "time" and "date" are displayed alternately. With the "time" displayed, hold down Switch 4. The 24-hour system and 12-hour system are displayed alternately. 	42
	Date  7/ 4/2012		152

- For other data than the factory settings and modifying the data displayed, refer to the "SIDE DIGITAL DISPLAY" appendices at the back of this manual.

ELECTRONIC ENGINE CONTROL

The electronically controlled engine which is installed in this tractor performs the following three types of control.

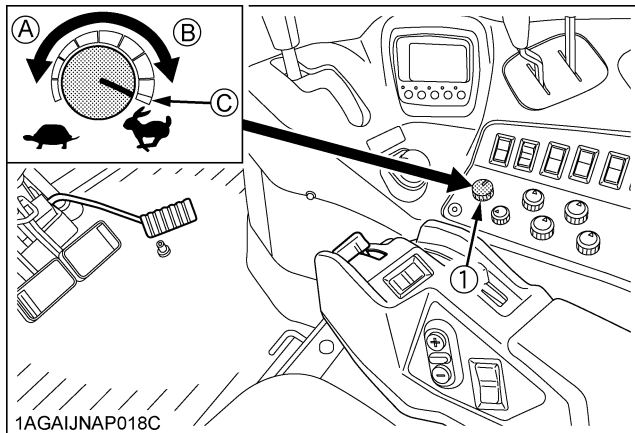
1. Rev-limiter control setting
2. RPM dual memory setting
3. Constant RPM management control

■ Rev-limiter Control Setting

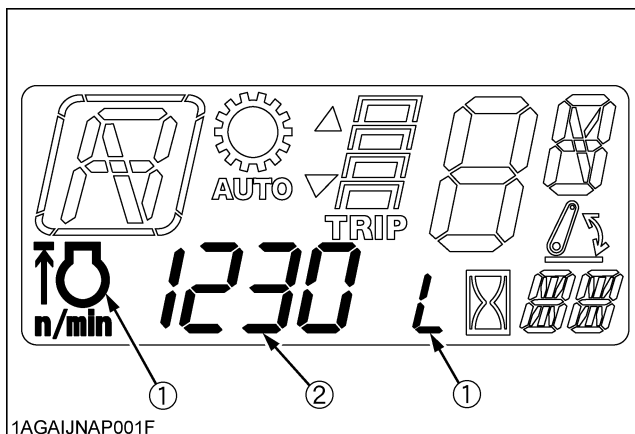
When the Rev-limiter control dial is used to restrict the maximum engine speed, the engine speed will not exceed the set speed even when the hand throttle lever or foot throttle is operated. This can prevent machine trouble caused by incorrect operation.

◆ Setting the speed

1. The setting can be made both when the engine is running and when it is stopped.
2. Set the speed by turning the dial to the left or right while watching the engine speed that is displayed on the LCD.
3. When the dial is turned all the way to the right, to the "🐢" position, the restriction is canceled.



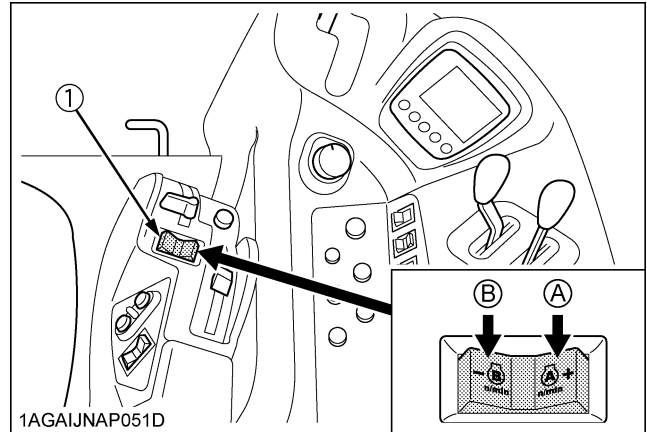
(1) Rev-limiter control dial
 (A) "LOW-SPEED SIDE"
 (B) "HIGH-SPEED SIDE"
 (C) "CANCELED"



(1) Display when Rev-limiter control is set
 (2) Maximum engine speed that is set

■ RPM Dual Memory Setting

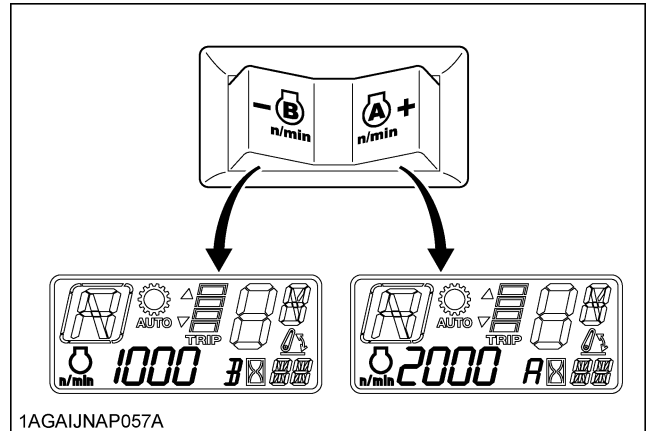
Two different engine speeds can each be set with a single touch by pressing the RPM dual memory switch to the (A) or (B) side. This can be used to eliminate troublesome acceleration operations.



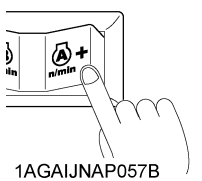
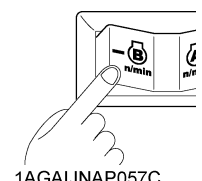
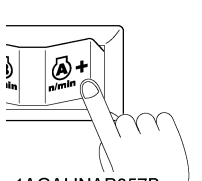
(1) RPM dual memory switch
 (A) Switch A
 (B) Switch B

◆ Example of use

Consider an example in which an engine speed of 2000 rpm is set for the switch (A) side and a speed of 1000 rpm is set for the switch (B) side.

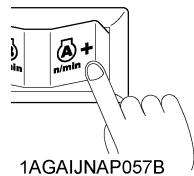


1AGAIJNAP057A

<p>Work ↓</p>	 <p>1AGAIJNAP057B</p>	<p>During work, simply press the switch to the (A) side to automatically set an engine speed of 2000 rpm.</p>
<p>Turning ↓</p>	 <p>1AGAIJNAP057C</p>	<p>When turning, press the switch to the (B) side to lower the speed to 1000 rpm, allowing turning at low speed.</p>
<p>Work</p>	 <p>1AGAIJNAP057B</p>	<p>After turning, press the switch again to the (A) side to resume a speed of 2000 rpm.</p>

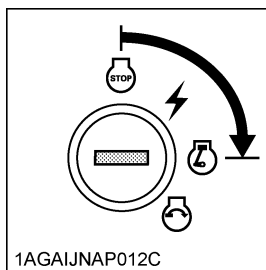
- Keep the hand throttle lever above the minimum speed. At the minimum speed, a memory setup can not be performed.
- You can also depress the foot throttle to increase the engine speed above the set speed.

◆ **Setting the speeds (or changing the speed settings)**

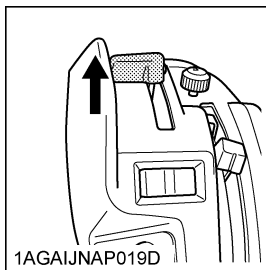


Setting RPM dual memory switch (A)

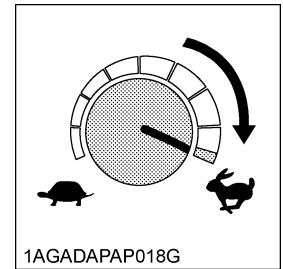
1. Turn the key switch to "ON". (The speed setting can be made both when the engine is running or stopped.)



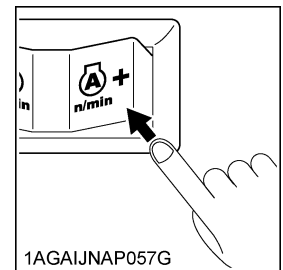
2. Set the hand throttle lever slightly toward the higher-speed side.



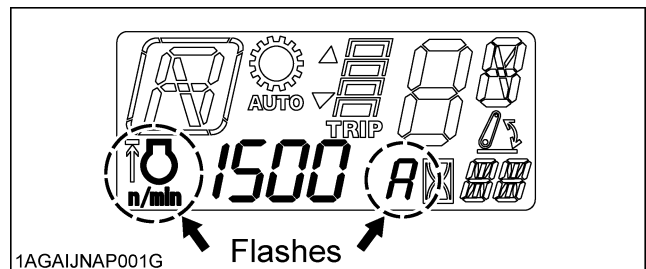
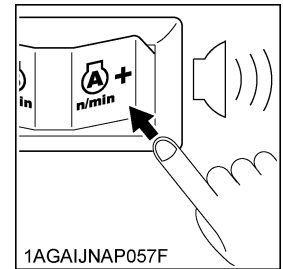
3. Turn the Rev-limiter control dial to the "🐎" position.



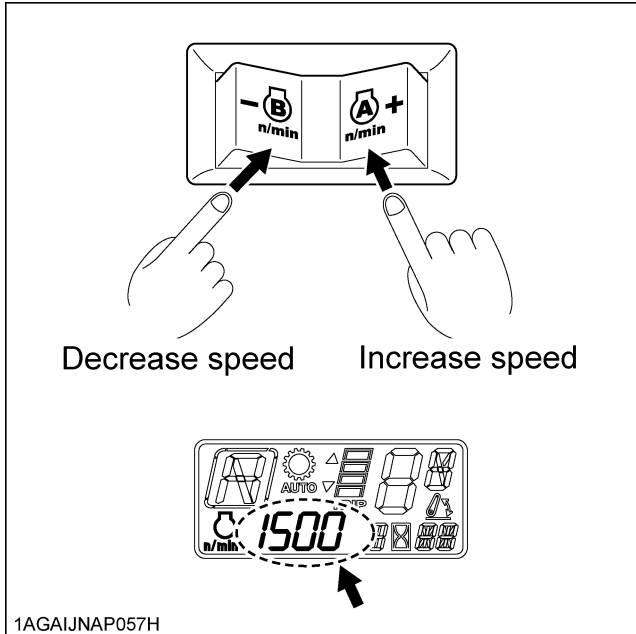
4. Press the switch (A) side and then release the switch.



5. Again press and hold down the switch (A) side (2.5 seconds) until the buzzer sounds, then release the switch.



6. Press the switch to the (A) or (B) side and set the speed. Pressing and holding down the switch will cause the speed to change continuously. Pressing and releasing the switch changes the speed by 10 rpm each time. Set the desired engine speed while watching the speed display.



1AGAIJNAP057H

7. If the switch is released and not operated for 4 seconds, a continuous buzzer sound occurs and the setting is completed.
8. Follow the same procedure as for the (A) side to set the speed for the switch (B) side.

NOTE :

- The set speeds will be stored even after the engine is stopped.

◆ Canceling the setting

Any of the actions below will cancel the RPM dual memory settings.

1. [Switch (A) side]

When the memory speed is engaged, press the switch (A) again to cancel.

[Switch (B) side]

When the memory speed is engaged, press the switch (B) again to cancel.

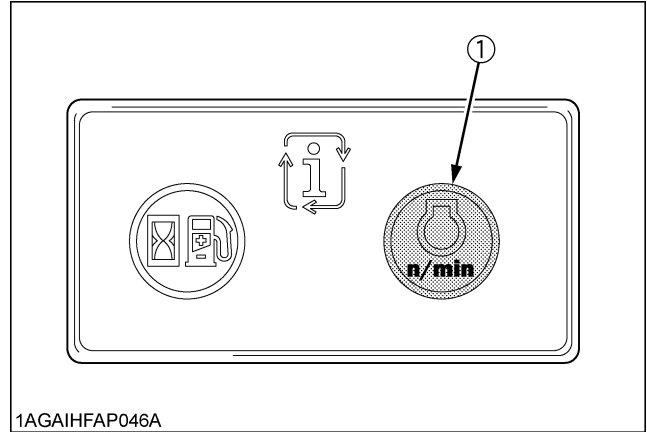
When the memory speed is canceled, the speed will return to the speed that is determined by the hand throttle lever (foot throttle).

(When the switch is pressed, the LCD will display the engine speed that is in effect after memory speed is canceled.)

2. Return the hand throttle lever to the lowest speed position.
3. Turn the key switch to "OFF".

◆ Checking the speeds set in the memory

You can check the speed which is set for switch (A) and (B) on the LCD by pressing the "Engine RPM dual memory A/B indicator switch". (The display automatically disappears after 1.5 seconds.)

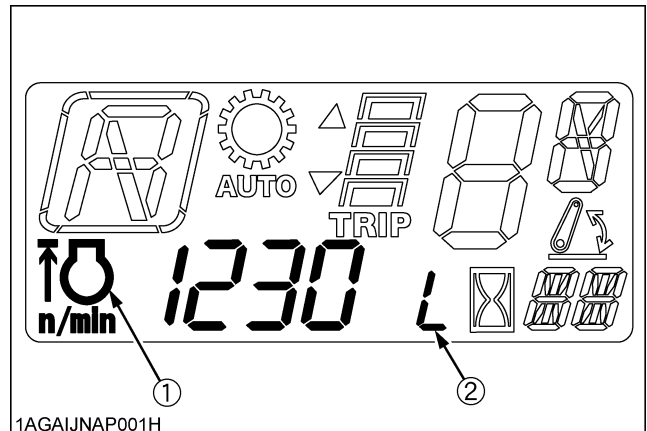


1AGAIHFAP046A

(1) Engine RPM dual memory A/B indicator switch

NOTE :

- If the memory speed setting is set higher than the value that was set with the Rev-limiter control dial, the marks (1) and (2) shown in the figure below appear on the LCD and the speed will not increase to the set speed. (The Rev-limiter control dial takes priority.)
- For example if the speed set in the memory is 2000 rpm, and the Rev-limiter control dial is set to 1230 rpm, then marks (1) and (2) shown in the figure below appear on the LCD and the engine speed will not increase above 1230 rpm.



1AGAIJNAP001H

(1) Lit or flashing

(2) [L] displayed

■ Constant RPM Management Control

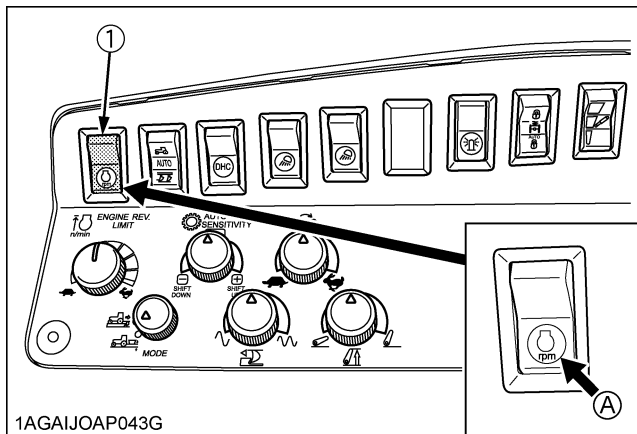
Constant RPM Management can be turned "ON" or "OFF" by operating the switch. Pressing the switch to the lower side turns the control "ON" and pressing the switch to the upper side turns it "OFF".

◆ When constant RPM management is "ON"

Fluctuations in the engine speed due to load fluctuations are reduced and the travel speed and PTO speed are kept nearly constant, allowing stable work. When constant RPM management is "ON", the switch and the instrument panel indicator light up.

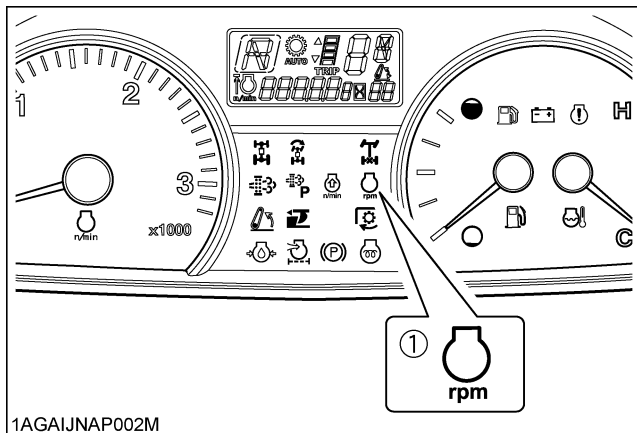
◆ When constant RPM management is "OFF"

As in a conventional engine, the engine speed increases or decreases according to changes in the load. The operator judges the size of the load from the engine speed and engine sound, and can adjust the travel speed or plowing depth to prevent overload on the tractor.



1AGAIJOAP043G

(1) Constant RPM management switch (A) "PRESS (ON)"



1AGAIJNAP002M

(1) Constant RPM management indicator

NOTE :

- In a mechanically-controlled engine, the engine speed changes according to increases and decreases in the load.
For example, when working in a hilly area, the load increases and engine speed drops while ascending a slope, and conversely the load drops when descending. These changes in engine speed affect the travel speed and PTO-driven implements. In order to minimize these effects, the operator must make fine adjustments to the travel speed and hand throttle lever.
- When the constant RPM management switch in this tractor with its electronically controlled engine is turned "ON", the engine speed will be kept nearly constant in response to a certain level of load fluctuations. This improves the accuracy of work without the need for troublesome manipulation of the travel speed and hand throttle lever.
- It is recommended that a combination of light-load PTO-driven implements and AUTO-MODE (Automatic speed change) be used.
- There is a limit to the range within which a constant speed can be maintained. If a load exceeding the engine performance is applied, the engine speed will drop.
- The purpose of constant RPM management is not to increase the engine power.

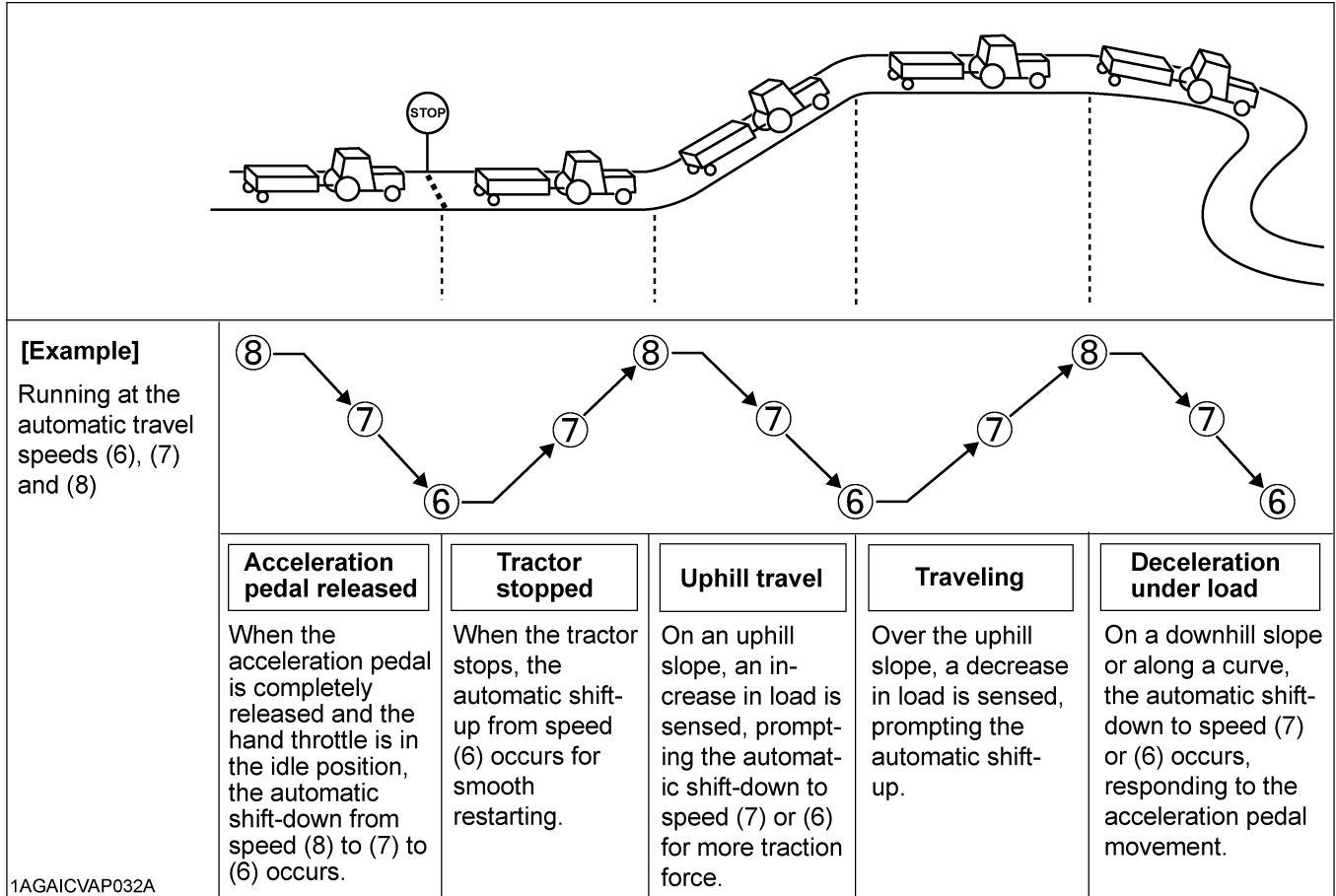
AUTO MODE

■ Outline

The Auto-Mode is an automatic speed change function that is designed to shift up and down the travel speed in response to the load-dependent engine rpm fluctuations, attachment maneuvering, acceleration pedal movement and other factors. The Auto-Mode comes in two ways, "Travel mode" and "Field mode", according to the applications.

◆ Travel mode

In trailing operation, the automatic shift-up/down is carried out within a predetermined range (factory-set for 2 shifts), responding to the acceleration pedal movement and rpm changes from load. This helps you avoid troublesome gear shifting.



NOTE :

- The tractor has been factory-set for the automatic range (2 shifts) discussed above. This gearshift range can be modified to meet your applications. (For details, refer to "Changing the Auto-Mode settings" in this section.)
- The Auto-Mode does not function if the clutch is disengaged or halfway or in turning over the Bi-speed turning angle and if shuttle lever is in reverse position.
- The Auto-Mode functions when the engine rpm is above the middle speed.

◆ **Field mode**

In plowing operation, the automatic shift-up/down is carried out within a predetermined range (factory-set for 2 shifts), responding to the field condition, soil condition and other factors. When lifting the attachment using 3 pt, the automatic shift-down is made for easier turning.

With implement that require PTO rotation, automatic shift-up/shift-down occurs repeatedly. This is because the system is sensitive to the load from the plow or other towed implements. As a result, the PTO speed is kept nearly constant, improving the accuracy of work.

[Example]
Running at the automatic travel speeds (6), (7) and (8)

Hard farm ground	Soft farm ground	Uphill plowing	Flat farm ground	Attachment lifted
An increase in load is sensed due to a soil change, prompting the automatic shift-down from speed (8) to (7) to (6).	A decrease in load is sensed due to a soil change, prompting the automatic shift-up.	On an uphill slope, an increase in load is sensed, prompting the automatic shift-down to speed (7) or (6) for more traction force.	Over the uphill slope, a decrease in load is sensed, prompting the automatic shift-up.	When lifting the attachment with the 3-P.Quick raise/lower switch or the hydraulic control lever, the automatic shift-down occurs for easier turning.

1AGAICVAP033A

NOTE :

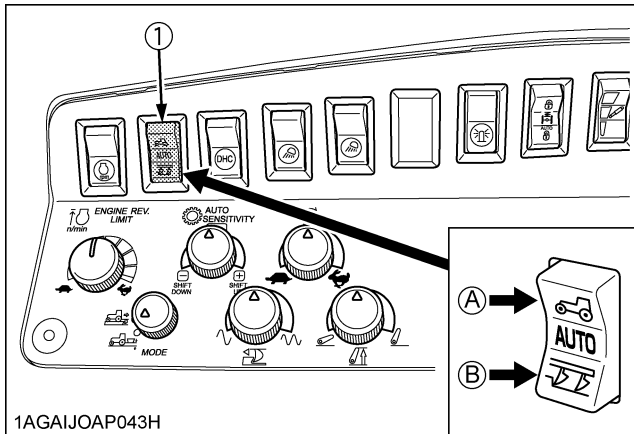
- The tractor has been factory-set for the automatic range (2 shifts) discussed above. This gearshift range can be modified to meet your applications. (For details, refer to "Changing the Auto-Mode settings" in this section.)
- The Auto-Mode does not function if the clutch is disengaged or halfway or in turning (over the bi-speed turning angle) and if shuttle lever is in reverse position.
- The Auto-Mode functions when the engine rpm is above the middle speed.

■ Operation

1. Press the Auto-Mode switch to select "Travel mode" or "Field mode" according to your applications. Once selected, the Auto-Mode indicator on the meter panel lights up.
When the switch is moved to the middle position "OFF", the mode indicator goes out.

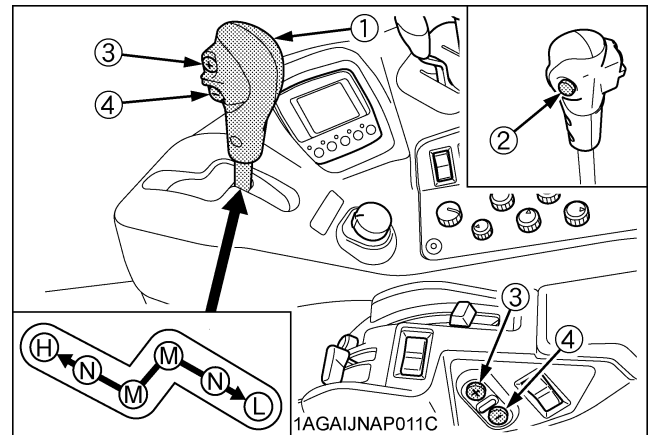
Travel mode: For pulling trailers and other hauling operations.

Field mode: For plowing, subsoiling and other tilling operations, or for harvesters and other PTO-driven implements.



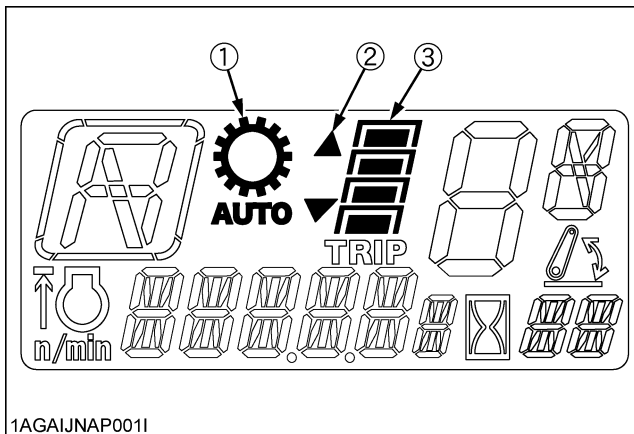
(1) Auto-Mode switch
(A) "Travel mode"
(B) "Field mode"

2. Use the up-shift/down-shift button on the power shift / range shift lever or on the armrest to select a field speed.
The selected speed can be checked in the selected-speed display of the meter panel.



(1) Power shift / Range shift lever
(2) Clutch button
(3) Up-shift button (+)
(4) Down-shift button (-)

3. Now the setting is completed.



(1) Auto-Mode indicator
(2) Shift-up/shift-down indicator
(3) Auto-shift bar indicator

■ Work Speed Display

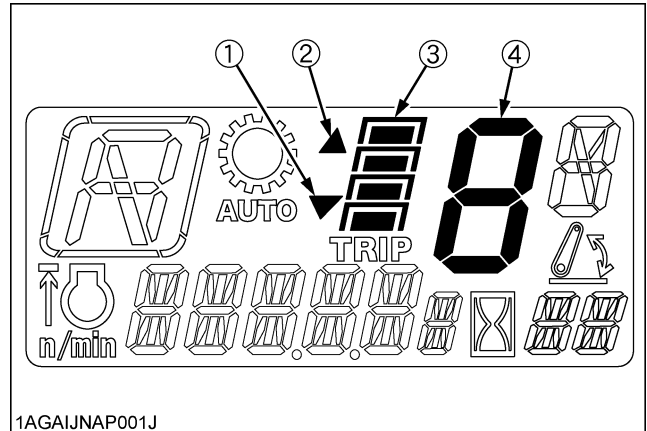
The LCD displays both the selected speed and Auto-shift bars.

◆ Selected speed display

The Auto-shift range is set to 2 shifts as standard. If "8" is displayed at start, then the tractor starts in 8th speed and then automatic shift-up/shift-down occurs in the range of "8", "7", and "6". The selected speed display remains lit when driving in 8th speed, and flashes when driving in 7th or 6th.

◆ Auto-shift bar display

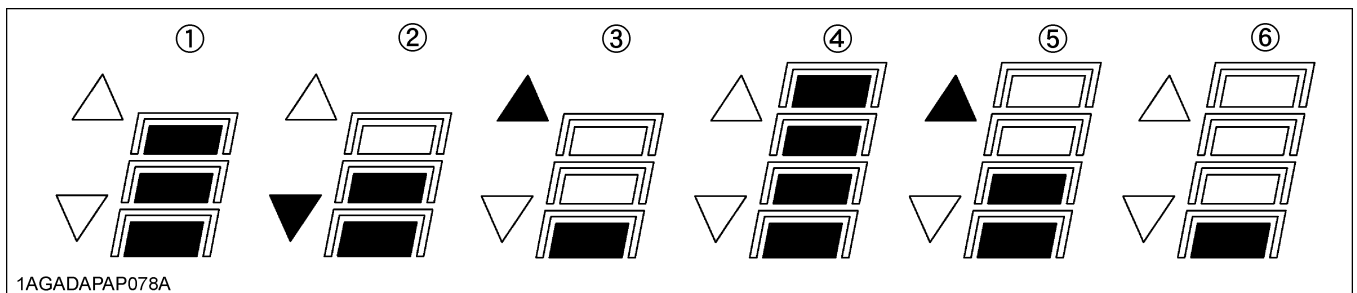
The auto shift bars display the set "automatic shift-down possible speed range" and the "current speed stage". The shift-up indicator flashes immediately before shift-up occurs, and the shift-down indicator flashes immediately before shift-down occurs.



1AGAIJNAP001J

- (1) Shift-down indicator
- (2) Shift-up indicator
- (3) Auto-shift bar display
- (4) Selected speed ("1" to "8")

◆ Example of Auto-shift bar display



1AGADAPAP078A

No.	Set shift-down range	Actual speed position
(1)	2 shifts (factory setting)	The current speed is the highest position of the set speeds. The load and the set speed are in balance.
(2)		The current speed is shifted 1 speed down from the highest position. The load is large and the machine is about to shift down by 1 more speed.
(3)		The current speed is shifted 2 speeds down from the highest position. The load is light and the machine is about to shift up by 1 speed.
(4)	3 shifts (when setting is changed)	The current speed is the highest position of the set speeds. The load and the set speed are in balance.
(5)		The current speed is shifted 2 speeds down from the highest position. The load is light and the machine is about to shift up by 1 speed.
(6)		The current speed is shifted 3 speeds down from the highest position.

■ Changing the Field Speed

Using the up-shift/down-shift button on the armrest or on the power shift / range shift lever, the field speed can be readily changed. To put the speed in memory, however, preferably take the following procedure.

◆ **To change the speed while the tractor is stopped**
Place the power shift / range shift lever to "N", press the up-shift/down-shift button, and change the field speed. The speed that appears in the selected-speed display will be the new upper speed level.

◆ **To increase the speed while running the tractor**
Check the speed that appears in the selected-speed display.

(When the speed display stays on - Not flashing)

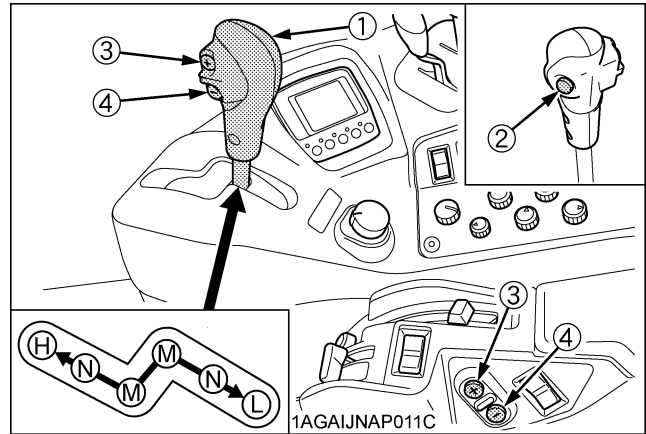
1. Press the up-shift button (+) to raise the speed.
2. The speed that appears in the selected-speed display is the new upper speed level.

(When the speed display is flashing)

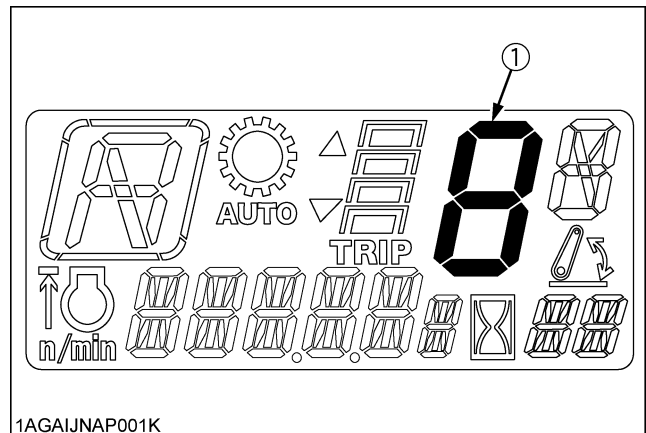
1. Press the up-shift button (+) to raise the speed.
2. Travel mode
(trailing and other hauling operations)
Press the top (Travel mode) of the Auto-Mode switch to the 2nd stage.
3. Field mode
(plowing, subsoiling and other tilling operations, or for harvesters and other PTO-driven implements)
Press the bottom (Field mode) of the Auto-Mode switch to the 2nd stage.
4. The speed that appears in the selected-speed display is now the new upper speed level.

◆ To decrease the speed while running the tractor

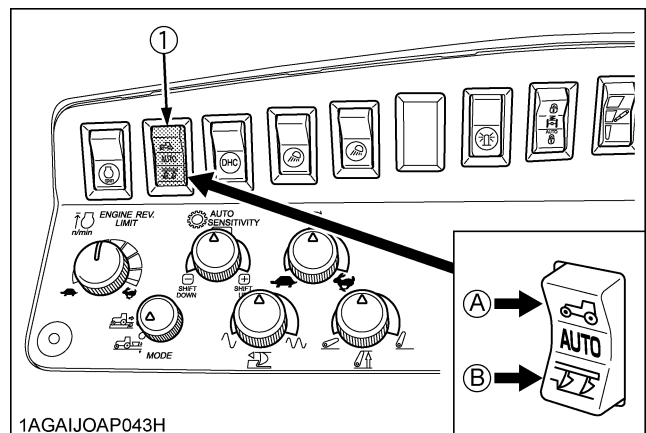
1. Press the down-shift button (-) to lower the speed.
2. Travel mode
(trailing and other hauling operations)
Press the top (Travel mode) of the Auto-Mode switch to the 2nd stage.
3. Field mode
(plowing, subsoiling and other tilling operations)
Press the bottom (Field mode) of the Auto-Mode switch to the 2nd stage.
4. The flashing number stays on. The speed that appears in the selected-speed display is now the new upper speed level.



- (1) Power shift / Range shift lever
- (2) Clutch button
- (3) Up-shift button (+)
- (4) Down-shift button (-)



- (1) Selected-speed display

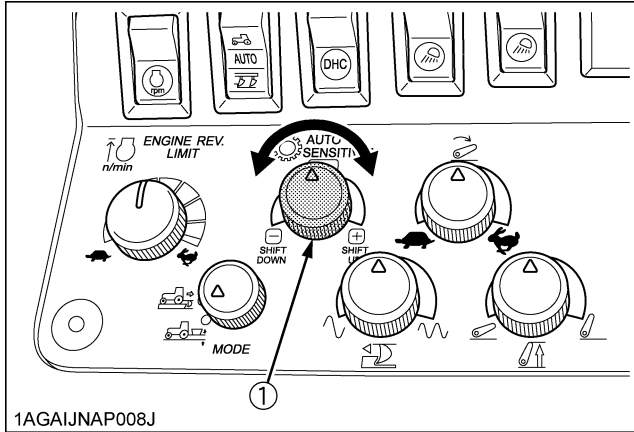


- (1) Auto-Mode switch
- (A) "Travel mode"
- (B) "Field mode"

■ Sensitivity Adjustment

The automatic shift-up/down sensitivity can be adjusted to meet engine load fluctuations.

Turn the dial to the negative side.	Higher sensitivity for shift-down and lower sensitivity for shift-up
Turn the dial to the positive side.	Higher sensitivity for shift-up but the same sensitivity for shift-down.



1AGAIJNAP008J

(1) Auto-Mode sensitivity adjustment dial

■ Changing the Auto-Mode Setting

The Auto-Mode has been factory-set as shown in the chart on the next page. The setting can be modified as required.

◆ Changing the travel mode setting

[The automatic speed range and the shift-down speed at acceleration pedal release can be modified.]

1. Place the power shift / range shift lever to "N", and start the engine.
2. Push and hold down the top (Travel mode) of the Auto-Mode switch to the 2nd stage for more than 3 seconds. The buzzer sounds beeping and the setting mode is called.
3. Now each time the top (Travel mode) of the Auto-Mode switch is pressed, "r" (automatic speed) and "A" (acceleration pedal release shift-down speed) appear flashing alternately.

Changing the automatic speed at engine load detection (RPM)

4. Using the Auto-Mode switch, make "r" appear in the display. Hold down the top (Travel mode) of the Auto-Mode switch, and the current speed setting starts flashing.
5. Each time the top (Travel mode) of the Auto-Mode switch is pressed, "2", "3" and "4" appear flashing one after another. When a desired speed setting comes up, hold down the switch again for more than 3 seconds. The flashing number stays on and the setting is completed.

6. This setting refers to how many gears the Auto-shift will use up/down, when the engine rpm changes (without using the throttle).

<Example>

- 2 gears = 1 shift
- 3 gears = 2 shifts
- 4 gears = 3 shifts

Changing the automatic shift-down speed at acceleration pedal release (Throttle operation)

7. Using the Auto-Mode switch, make "A" appear in the display. Hold down the top (Travel mode) of the Auto-Mode switch, and the current speed setting starts flashing.
8. Each time the top (Travel mode) of the Auto-Mode switch is pressed, "0", "1" "2" and "3" appear flashing one after another. When a desired speed setting comes up, hold down the switch again for more than 3 seconds. The flashing number stays on and the setting is completed.
9. This setting refers to how many shifts the tractor will Auto-shift up/down when the operator uses the throttle.

<Example>

 - 0 = No shift
 - 1 = 1 shift
 - 2 = 2 shifts
 - 3 = 3 shifts

◆ Changing the field mode setting

[The automatic speed range and the shift-down speed at attachment lift can be modified.]

1. Place the power shift / range shift lever to "N", and start the engine.
2. Hold down the bottom (Field mode) of the Auto-Mode switch to the 2nd stage for more than 3 seconds. The buzzer sounds beeping and the setting mode is called.
3. Each time the bottom (Field mode) of the Auto-Mode switch is pressed, "r" (automatic speed) and "P" (attachment lift shift-down speed) appear flashing alternately.

Changing the automatic speed at engine load detection (RPM)

4. Using the Auto-Mode switch, make "r" appear in the display. Hold down the bottom (Field mode) of the Auto-Mode switch, and the current speed setting starts flashing.
5. Each time the bottom (Field mode) of the Auto-Mode switch is pressed, "2", "3" and "4" appear flashing one after another. When a desired speed setting comes up, hold down the switch again for more than 3 seconds. The flashing number stays on and the setting is completed.

6. This setting refers to how many gears the Auto-shift will use up/down, when the engine rpm changes (without using the throttle).

<Example>

2 gears = 1 shift
3 gears = 2 shifts
4 gears = 3 shifts

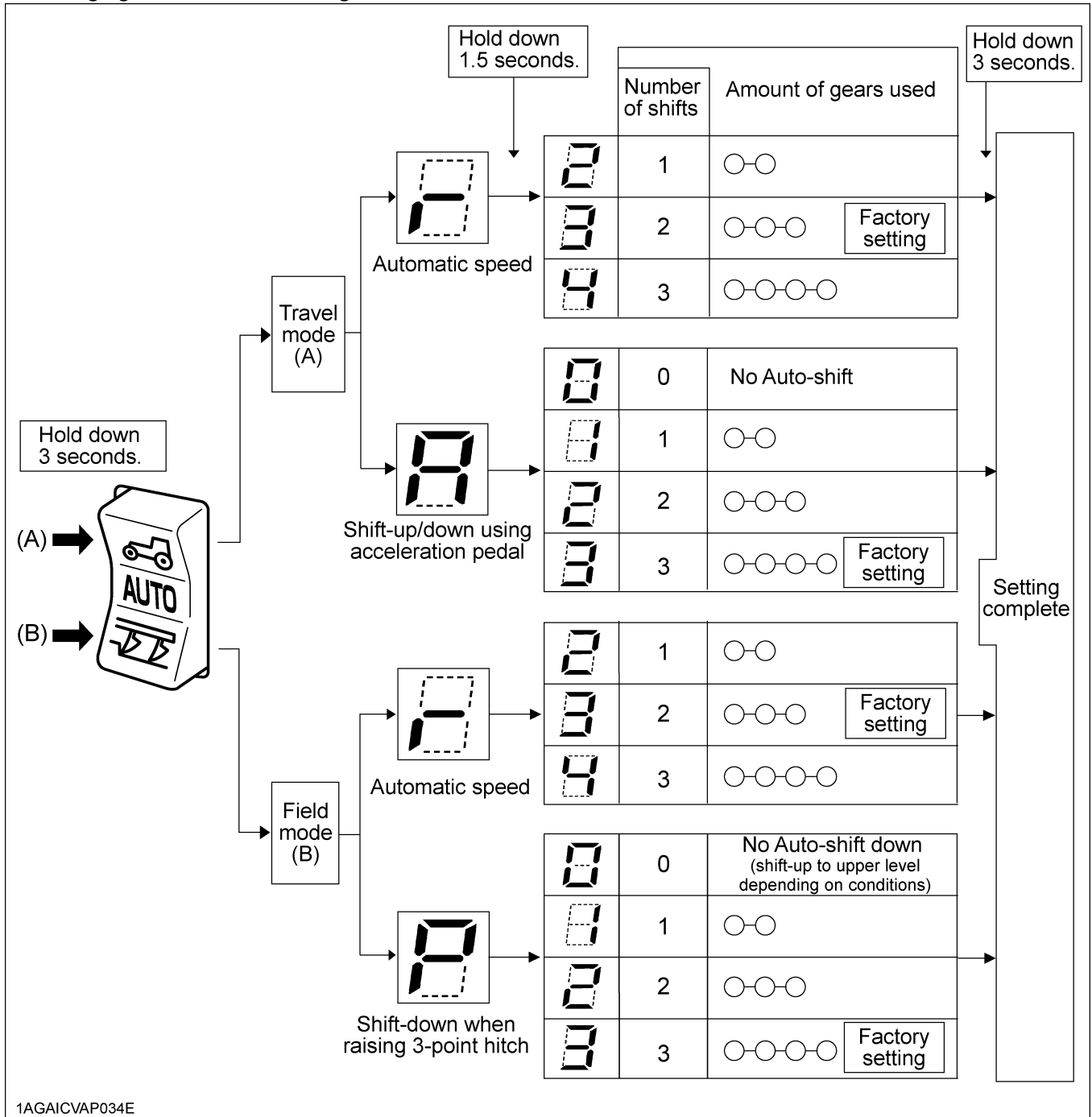
Changing the automatic shift-down speed at 3-point hitch lift

7. Using the Auto-Mode switch, make "P" appear in the display. Hold down the bottom (plow marking) of the Auto-Mode switch, and the current speed setting starts flashing.
8. Each time the bottom (plow marking) of the Auto-Mode switch is pressed, "0", "1" "2" and "3" appear flashing one after another. When a desired speed setting comes up, hold down the switch again for more than 3 seconds. The flashing number stays on and the setting is completed.
9. This setting refers to how many shifts the tractor will Auto-shift down when the operator raises the 3-point hitch.

<Example>

0 = No shift down
1 = 1 shift
2 = 2 shifts
3 = 3 shifts

◆ Changing the Auto-Mode settings



NOTE :

- It is impossible to preset a greater number of shift-down speeds than the number of automatic speeds.
- If the key switch is moved to "OFF" or the Auto-Mode switch is turned "OFF" halfway, the setting is cancelled.

FRONT SUSPENSION



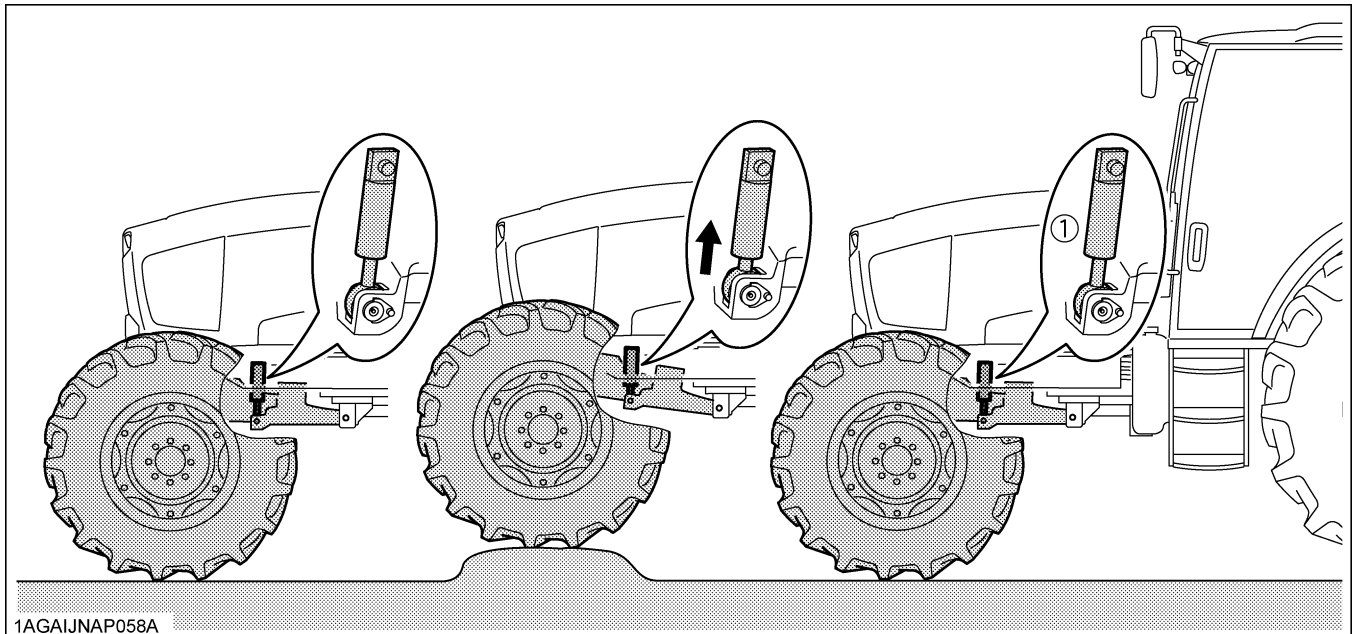
CAUTION

To avoid personal injury:

- The front suspension control system is working when the engine is running. In the ON mode, the LOCK mode or the AUTO LOCK mode, the control system will subtly change the machine's height at startup or as weight changes when implements are attached. These subtle movements can be unexpected. Before starting it, make sure the area near the machine is clear of all persons and objects.

■ Outline

The front suspension system works to absorb shocks and vibrations that can be caused by field surface conditions, road surface conditions, and changes in weight caused by implements. Different implements can change the way a tractor carries weight and that weight is also changed when driving in the field or driving on the road. The front suspension system provides the operator with a smoother ride, improved tractor stability, and higher productivity. The front suspension control system has two control switches that allow the operator to adjust the suspension system to operating conditions. Those switches are the Suspension Switch and the Ride Condition Damper Switch. The operator can quickly adjust the suspension system to changing conditions with the touch of buttons.



1AGAIJNAP058A

(1) Suspension cylinder

■ Suspension Switch

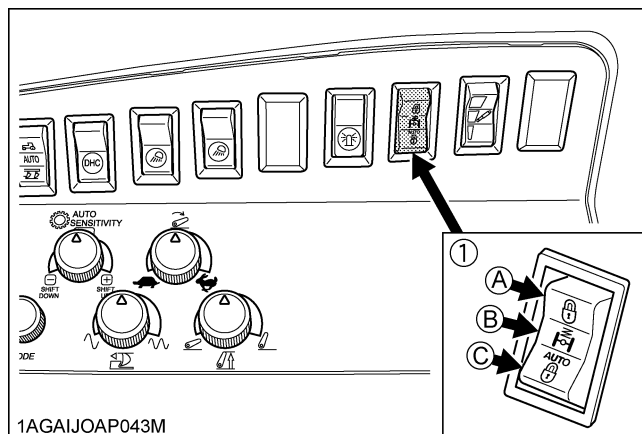


CAUTION

To avoid personal injury:

- Before using the suspension switch, make sure the area near the machine is clear of all persons and objects. The hydraulic pressure in the suspension cylinders, accumulators or a valve can cause the tractor and the attached implement to move unexpectedly.

Using the front suspension switch, the following 3 modes can be selected: ON, LOCK, and AUTO LOCK. While the "ON" or "AUTO LOCK" is selected, the suspension indicator is illuminated. In the "LOCK" mode, the indicator is not illuminated.



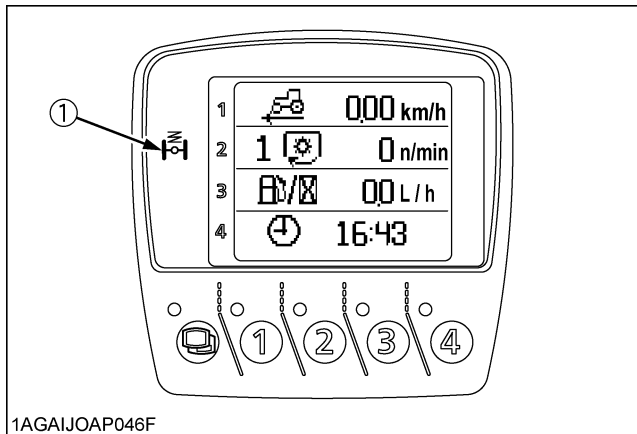
1AGAIJOAP043M

(1) Suspension switch

(A) Suspension "LOCK"

(B) Suspension "ON"

(C) Suspension "AUTO LOCK"



1AGAIJOAP046F

(1) Suspension indicator

◆ Suspension "ON" Mode

Whether driving on roads or doing work, the ON mode reacts to changing surface conditions and the changing weight of the tractor as implements are used. The ON mode is usually selected. When the ON mode is selected, the suspension indicator is illuminated.

◆ Suspension "LOCK (OFF)" Mode

The suspension system is locked out, and no suspension action takes place. The LOCK mode should be selected when the operator needs to prevent the tractor and the attached implements from overcompensating the front suspension system. The suspension indicator does not illuminate when the LOCK mode is selected.

◆ Suspension "AUTO LOCK" Mode

In this mode, the suspension is automatically selected LOCK or ON as listed in the table below.

The suspension indicator is illuminated when the AUTO LOCK mode is selected.

3-Point Hitch Control Mode	Suspension	
	LOCK	ON
Position selected	<ul style="list-style-type: none"> ● At low-speed travel ● At lower 3-point hitch 	<ul style="list-style-type: none"> ● While travelling ● At higher 3-point hitch
Draft selected	<ul style="list-style-type: none"> ● With heavy draft load (at lower 3-point hitch) ● At lower travel speed ● While the 3-P. Quick lower switch is pressed 	<ul style="list-style-type: none"> ● With light draft load (at lower 3-point hitch) ● At higher 3-point hitch

Example: Front End Loader operation (position mode)

In order to efficiently perform Front End Loader work, the suspension stays locked at lower speeds. This helps hold the tractor in a stable condition. While traveling, the suspension is turned on for comfortable ride.

Example: Plowing (draft mode)

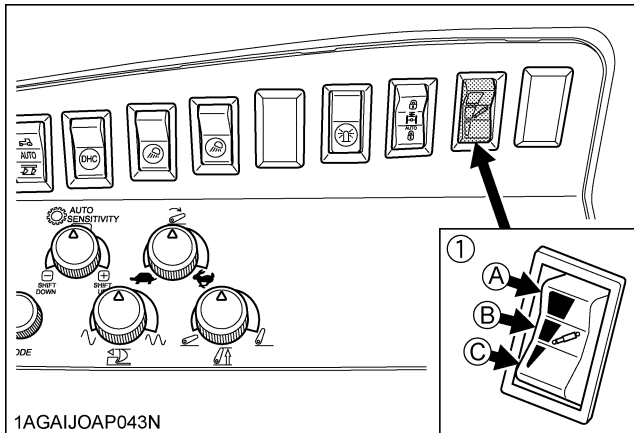
When a drafted load becomes heavy, the suspension gets locked. When the load becomes lighter, the suspension is turned on. In moving with the plow up, the suspension is kept on.

NOTE :

- In the AUTO LOCK mode, the hydraulic pressure in the suspension cylinders, accumulators or a valve may cause the machine height to change, when the suspension system switches automatically from "LOCK" to "ON" status.
- The suspension cylinder adjustment control does not work in the operating conditions below.
 - (1) The front wheels are overloaded.
 - (2) The engine runs at low speeds and the oil temperature is high.
 - (3) Both the brake pedals are stepped down.
 - (4) The manual control mode is selected.
- The machine speed in the suspension auto lock mode has been factory-setting at below 3 km/h. To change this setting, contact your local KUBOTA Dealer.

■ Ride Condition Damper Switch

The suspension dampening can be adjusted by using the Ride Condition Damper Switch. To adjust the suspension dampening you must have the Suspension Switch set to the ON mode or the AUTO LOCK mode. Set the Ride Condition Damper Switch to match implement, ground conditions, and the type of work you are doing.



(1) Ride condition damper switch (A) "FIRM MODE"
(B) "NORMAL MODE"
(C) "SOFT MODE"

◆ Normal Mode

In Normal mode, the tractor will automatically select the optimum dampening force between soft, medium, and firm to insure the best ride. The suspension dampening should be selected based on the tractors gross weight with implements. Of the three modes (Normal mode, Firm mode, Soft mode), Normal mode is generally recommended for most tractor work.

◆ Firm Mode

In Firm mode, the suspension damping is set one level higher than Normal mode. As an example, the operator would use Firm mode when working with heavy implements to prevent "rocking" or excessive bouncing, for example a heavy round bale in the loader.

◆ Soft Mode

In Soft mode, the suspension system is set one level lower than Normal mode. As an example, the operator would use Soft mode when traveling on uneven or rough road surfaces to obtain a more comfortable ride.

NOTE :

- Depending on the tractor gross weight, the "Firm" and "Soft" modes may work at nearly the same as the "Normal" mode.

■ Manual Control Mode

⚠ CAUTION

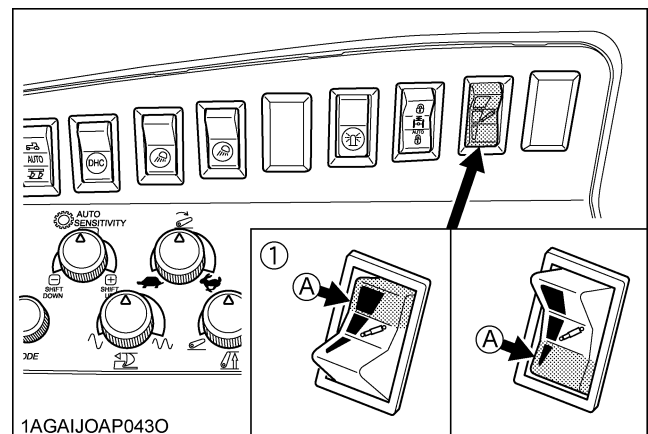
To avoid personal injury:

- Before releasing the manual control mode, make sure the area near the machine is clear of all persons and objects. Because of the hydraulic pressure in the cylinder, the machine height may change unexpectedly or the suspension cylinder adjustment control may get activated, which affects the height and/or posture of the tractor or the implement.

The tractor front end height can be raised or lowered by moving the suspension cylinder in the manual control. This is useful in attaching and detaching a front implement or front weight.

◆ Height adjusting procedure

- Hold down the top (Firm mode) or the bottom (Soft mode) of the ride condition damper switch to the second stage for more than 3 seconds, and the buzzer starts beeping and the suspension indicator starts flashing (two or so flashes every second). Now the machine gets in the manual control mode.
- Hold down the top (Firm mode) of the ride condition damper switch to the second stage, and the height is raised.
- Hold down the bottom (Soft mode) of the ride condition damper switch to the second stage, and the height is lowered.



(1) Ride condition damper switch (A) "PRESS DOWN TO THE SECOND STAGE"

◆ Releasing the manual control mode

Reposition the suspension switch (to "ON", "LOCK" or "AUTO LOCK") to release the manual control mode. When released, the modes pre-selected with the suspension switch and the ride condition damper switch are resumed.

NOTE :

- The manual control mode is cleared in any of the following cases.
 1. Stopping the engine (turning OFF the key switch).
 2. Running the machine at higher than 5 km/h.

IMPORTANT :

- Do not run or operate the machine with its height raised or lowered (while the manual control mode is selected). Otherwise it may get in trouble.

NOTE :

- Even in the manual control mode, the suspension works according to the mode selected with the suspension switch.
- With the "LOCK" mode selected, the machine height becomes stable and an implement may be easily attached and detached.
- The manual-mode raising and lowering speed varies depending on the mode selected with the suspension switch.

PARKING

■ Parking



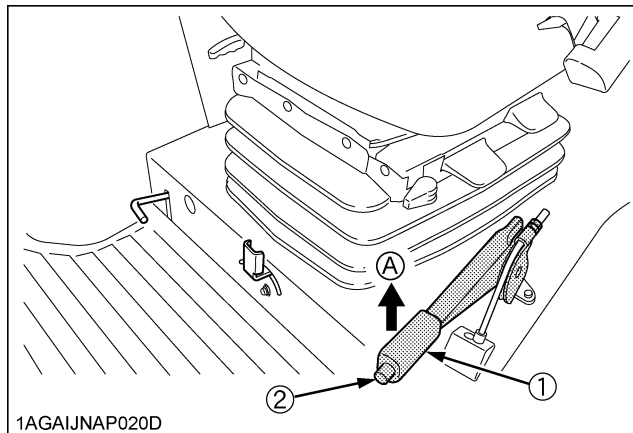
CAUTION

To avoid personal injury:

BEFORE DISMOUNTING TRACTOR

- ALWAYS SET PARKING BRAKE AND LOWER ALL IMPLEMENTS TO THE GROUND.
Leaving transmission in gear with the engine stopped will not prevent the tractor from accidental rolling.
- STOP THE ENGINE AND REMOVE THE KEY.

1. Before getting off the tractor, disengage the PTO, lower all implements, place all control levers in their neutral positions, pull the parking brake lever up to park, stop the engine and remove the key.
2. If it is necessary to park on an incline, be sure to chock the wheels to prevent accidental rolling of the machine.



(1) Parking brake lever

(A) "PULL"

(2) Release button

IMPORTANT :

- Do not leave your tractor in the rain. If it cannot be avoided, cover the muffler pipe to prevent water entering.

NOTE :

- On the tractors equipped with the front suspension, the machine height may change depending on the hydraulic oil temperature or other factors.

OPERATING TECHNIQUES

■ Differential Lock



WARNING

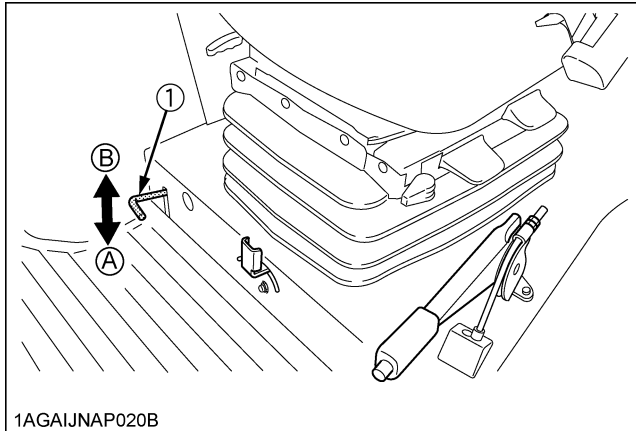
To avoid personal injury due to loss of steering control:

- Do not operate the tractor at high speed with any differential lock engaged.
- Do not attempt to turn with the rear wheel differential lock engaged.
- Be sure to release the rear wheel differential lock before making a turn in field conditions.

■ Rear Wheel Differential Lock Pedal

If one of the rear wheels should slip, step on the differential lock pedal. Both wheels will turn together, then reduce slippage.

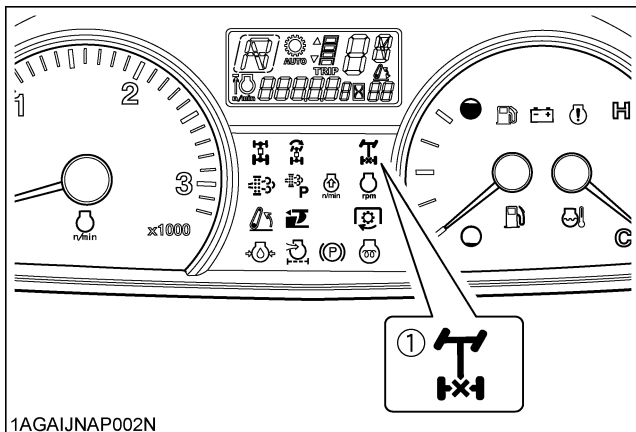
Differential lock is maintained only while the pedal is depressed.



(1) Differential lock pedal (A) Press to "ENGAGE"
(B) Release to "DISENGAGE"

◆ Rear wheel differential lock indicator

While the differential lock pedal is stepped on, rear wheel differential lock indicator will come on. It will go off when the pedal is released.



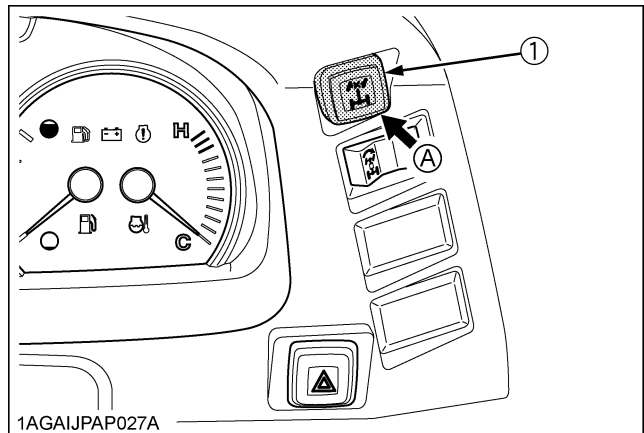
(1) Rear wheel differential lock indicator

IMPORTANT :

- When using the differential lock, always slow the engine down.
- To prevent damage to power train, do not engage differential lock when one wheel is spinning and the other is completely stopped.
- If the differential lock cannot be released, step lightly on the brake pedals alternately.

■ Front Wheel Differential Lock Switch

1. If the front and/or rear wheels should slip while driving straight in field conditions, press the front wheel differential lock switch and step on the rear wheel differential lock pedal. The four wheels will then turn together, reducing slippage.
2. If the front and/or rear wheels slip while in a turn in field conditions, push on the front wheel differential lock switch only. The front wheels alone will rotate together for easy turning.
3. To release the front wheel differential lock, press the switch again.



(1) Front wheel differential lock switch with indicator (A) "PUSH"

NOTE :

- The front wheel differential lock mechanism works only when the 4WD/Bi-speed turn switch is at the ON position.
- The front wheel differential lock switch's indicator turns on while the front differential lock is engaged.

IMPORTANT :

- Always slow down the engine before pushing on the differential lock switch.
- To prevent damage to power train, do not engage differential lock when one wheel is spinning and the other is completely stopped.

■ Operating the Tractor on a Road



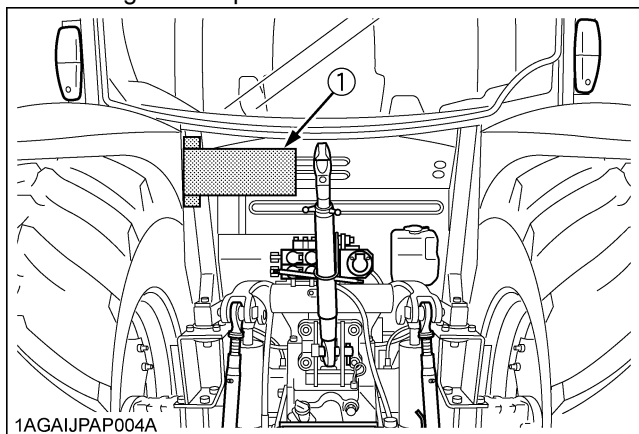
CAUTION

To avoid personal injury:

- To help assure straight line stops when driving at transport speeds, lock the brake pedals together. Uneven braking at road speeds could cause the tractor to roll-over.
- When traveling on road with 3-point hitch mounted implement attached, be sure to have sufficient front weight on the tractor to maintain steering ability.

Observe all local traffic and safety regulations.

Use the registration plate.



(1) Registration plate

■ Operating on Slopes and Rough Terrain



CAUTION

To avoid personal injury:

- Always back up when going up a steep slope. Driving forward could cause the tractor to tip over backward. Stay off hills and slopes too steep for safe operation.
- Avoid changing gears when climbing or descending a slope.
- If operating on a slope, never disengage the clutch or shift levers to neutral. Doing so could cause loss of control.
- Do not drive the tractor close to the edges of ditches or banks which may collapse under the weight of the tractor. Especially when the ground is loose or wet.

1. Be sure wheel tread is adjusted to provide maximum stability.
(See "WHEEL ADJUSTMENT" in "TIRES, WHEELS AND BALLAST" section.)
2. Slow down for slopes, rough ground, and sharp turns, especially when transporting heavy, rear mounted equipment.
3. Before descending a slope, shift to a gear low enough to control speed without using brakes.

■ Transport the Tractor Safely

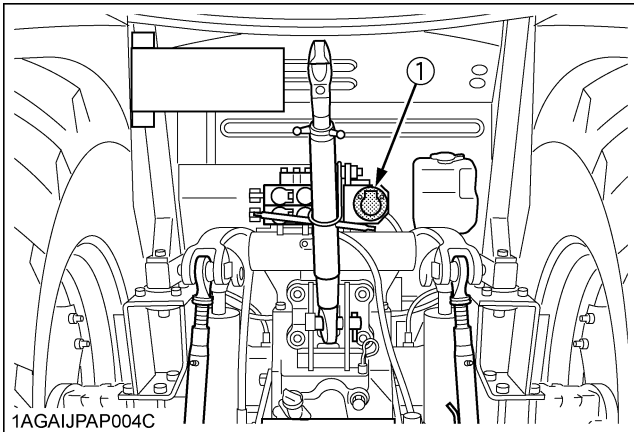
1. The tractor, if damaged, must be carried on a truck. Secure the tractor tightly with ropes.
2. Follow the instruction below when towing the tractor: Otherwise, the tractor's powertrain may get damaged.
 - Set the all shift levers to "NEUTRAL" position.
 - If possible, start engine and select 2WD, if creep speed is fitted ensure that it is disengaged.
 - Tow the tractor using its front hitch or drawbar.
 - Never tow faster than "10 km/h (6.2 mph)".

■ Directions for Use of Power Steering

1. Power steering is activated only while the engine is running. Slow engine speeds make the steering a little heavier. While the engine is stopped, the tractor functions in the same manner as tractors without power steering.
2. When the steering wheel is turned all the way to the stop, the relief valve is activated. Do not hold the steering wheel in this position for a long period of time.
3. Avoid turning the steering wheel while the tractor is stopped, or tires may wear out sooner.
4. The power steering mechanism makes the steering easier. Be careful when driving on a road at high speeds.

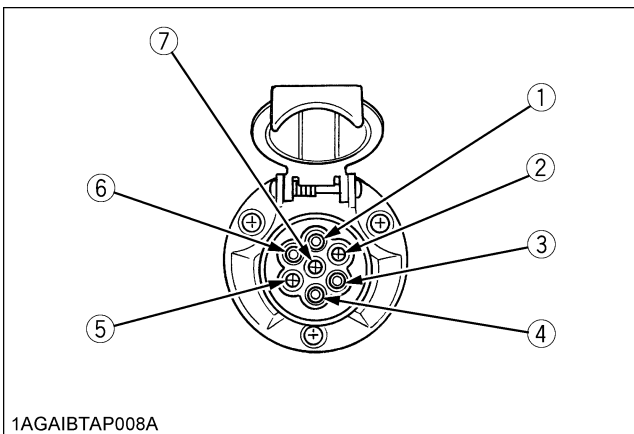
■ Trailer Electrical Outlet

A trailer electrical outlet is supplied for use with trailer or implement.



(1) Trailer electrical outlet

◆ Function of each terminals in trailer electrical outlet



Terminal	Function
(1)	Turn signal light (LH)
(2)	---
(3)	Ground
(4)	Turn signal light (RH)
(5)	Tail light Sidemarker light Parking light
(6)	Brake stop light
(7)	Registration plate light

PTO

PTO OPERATION



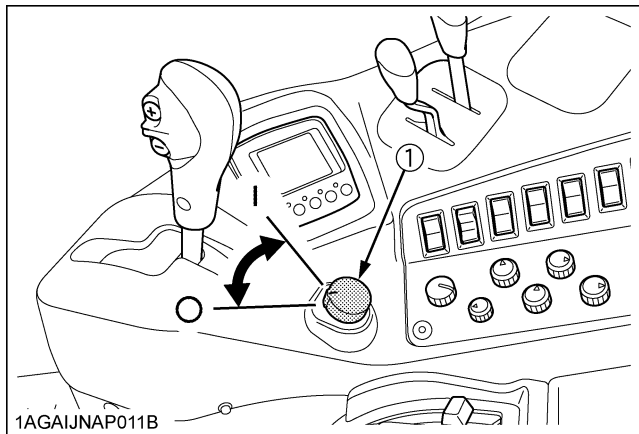
CAUTION

To avoid personal injury:

- Disengage PTO, stop engine, and allow all rotating components to come to a complete stop before connecting, disconnecting, adjusting, or cleaning any PTO driven equipment.

■ PTO Clutch Control Switch

The PTO clutch control switch engages or disengages the PTO clutch which gives the PTO independent control. Turn the switch to "ON" to engage the PTO clutch. Turn the switch to "OFF" to disengage the PTO clutch.

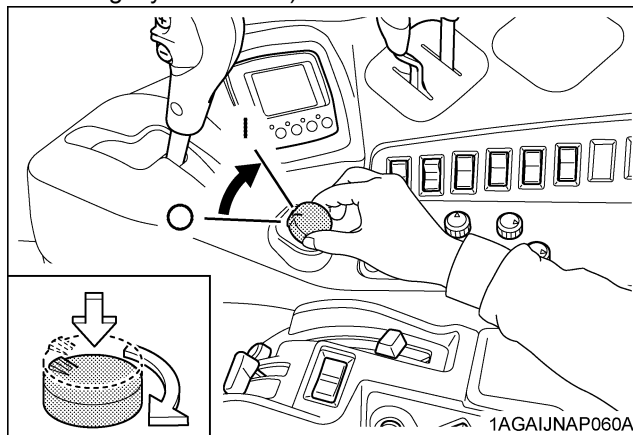


(1) PTO clutch control switch | "ON" ○ "OFF"

◆ PTO Clutch Control Switch

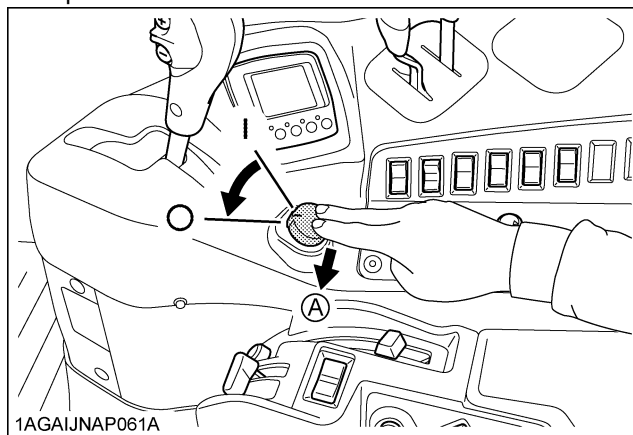
To turn ON

While pushing the switch, turn clockwise to the " | " position and release your hand. (In the ON position, switch slightly rises itself.)



To Turn OFF

Tap on top of the switch, and the switch will return to the OFF position.



(A) "PUSH"

IMPORTANT :

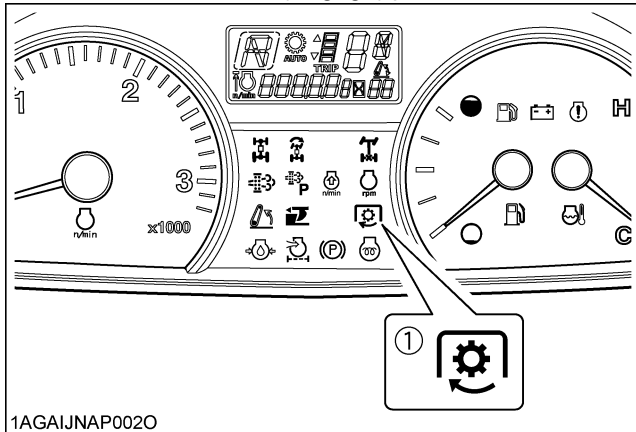
- To avoid shock loads to the PTO, reduce engine speed when engaging the PTO, then open the throttle to the recommended speed.

NOTE :

- Tractor engine will not start if PTO clutch control switch is in the engaged "ON" position.
- If the PTO system is engaged and you stand up from the seat, the warning buzzer will whistle for about 10 seconds after standing up. This is because the tractor is equipped with "Operator Presence Control System".

◆ **PTO Clutch Indicator**

The PTO clutch indicator turns on while PTO clutch control switch is in "ON" (Engage) position.



1AGAIJNAP0020

(1) PTO clutch indicator

PTO 540 / 1000 rpm model

■ **PTO Gear Shift Lever**



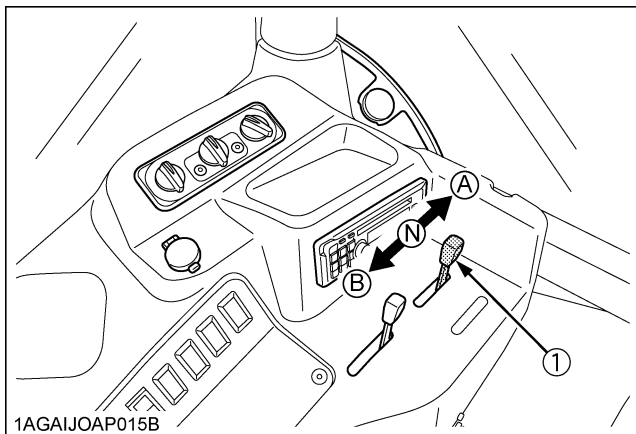
WARNING

To avoid personal injury:

- Be sure to observe the PTO shaft speed prescribed for the individual implements. It is extremely dangerous to run an implement at high speed that is meant to be operated at low speed. Use only when this higher rpm is specifically recommended by the implement manufacturer.

The PTO gear shift lever can be set to either 540 rpm or 1000 rpm positions.

Move this lever to either position with the PTO clutch control switch set to "OFF".



1AGAIJOAP015B

(1) PTO gear shift lever

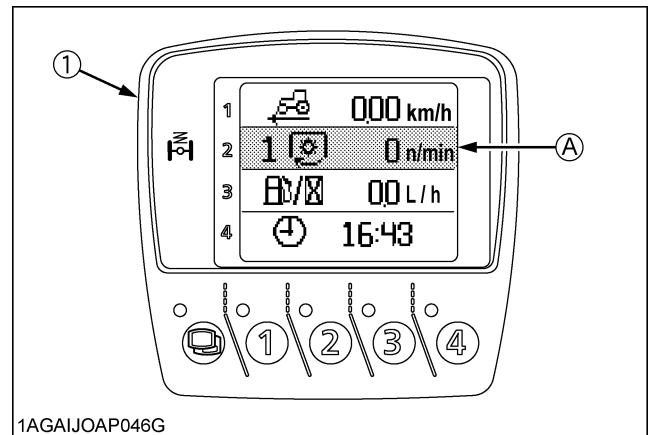
- (A) 540 rpm
- (B) 1000 rpm
- (N) "NEUTRAL" position

IMPORTANT :

- For maximum PTO shaft speeds of various implements, see the implement Operator's Manual.

NOTE :

- Whenever the PTO speed is changed to the other speed, it is necessary to switch the PTO speed display mode of the side digital display. Otherwise the PTO speed will not get correctly displayed in the side digital display. (See "SIDE DIGITAL DISPLAY" in "OPERATING THE TRACTOR" section.)



1AGAIJOAP046G

(1) Side digital display

(A) "PTO SPEED"

PTO 540 / 540E rpm model (if equipped)

■ PTO Gear Shift Lever

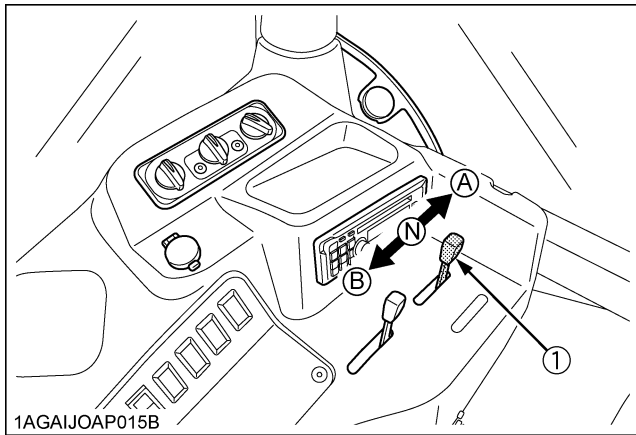
**WARNING**

To avoid personal injury:

- Be sure to observe the PTO shaft speed prescribed for the individual implements. It is extremely dangerous to run an implement at high speed that is meant to be operated at low speed. Use only when this higher rpm is specifically recommended by the implement manufacturer.

The PTO gear shift lever can be set to either 540 rpm or 540E rpm positions.

Move this lever to either position with the PTO clutch control switch set to "OFF".



- (1) PTO gear shift lever
- (A) 540 rpm
(N) "NEUTRAL POSITION"
(B) 540E rpm

IMPORTANT :

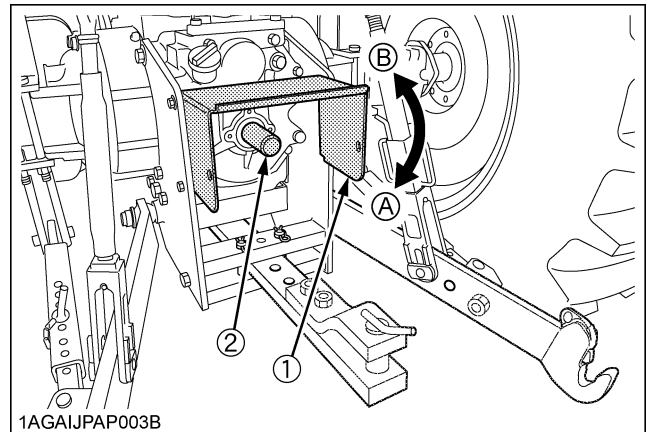
- For maximum PTO shaft speeds of various implements, see the implement Operator's Manual.

NOTE :

- Whenever the PTO speed is changed to the other speed, it is necessary to switch the PTO speed display mode of the side digital display. Otherwise the PTO speed will not get correctly displayed in the side digital display. (See "SIDE DIGITAL DISPLAY" in "OPERATING THE TRACTOR" section.)

■ PTO Shaft Cover and Shaft Cap

Keep the PTO shaft cover in place at all times. Replace the PTO shaft cap when the PTO is not in use. Before connecting or disconnecting a drive shaft to PTO shaft, be sure engine is "OFF". Raise up the PTO shaft cover. Afterward be sure to return the PTO shaft cover to the "NORMAL POSITION".

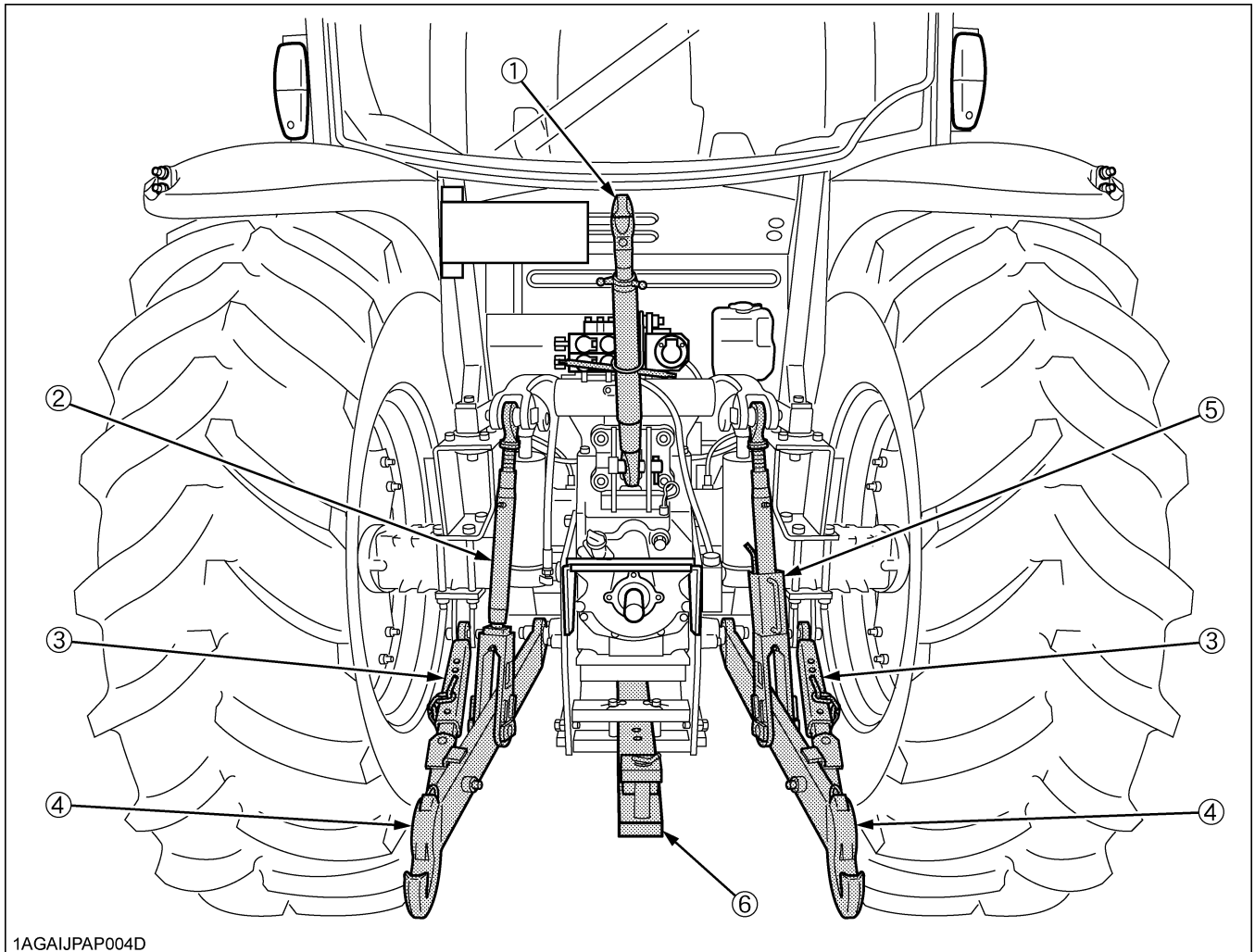


- (1) PTO shaft cover
- (2) PTO shaft cap
- (A) "NORMAL POSITION"
(B) "RAISED POSITION"

IMPORTANT :

- The universal joint of the PTO drive shaft is technically limited in its moving angle. Refer to the PTO Drive Shaft Instructions for proper use.

THREE-POINT HITCH & DRAWBAR



1AGAIJPAP004D

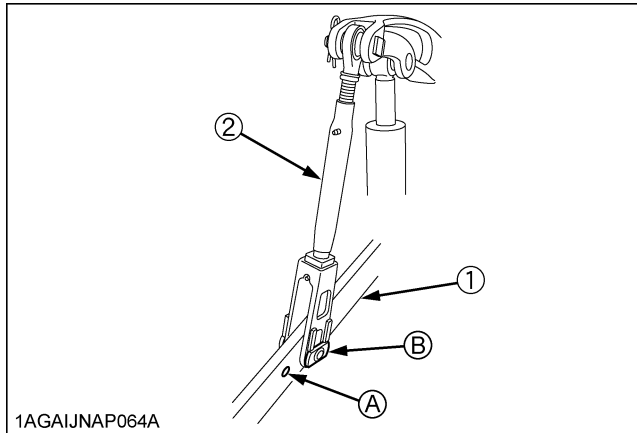
- (1) Top link
- (2) Lifting rod (Left)
- (3) Telescopic stabilizers
- (4) Lower link
- (5) Lifting rod (Right)
- (6) Drawbar

3-POINT HITCH

1. Make preparations for attaching implement.

■ Selecting the holes of Lower Links

There are two holes in the lower links. For most operations the lifting rods should be attached to the (B) hole.



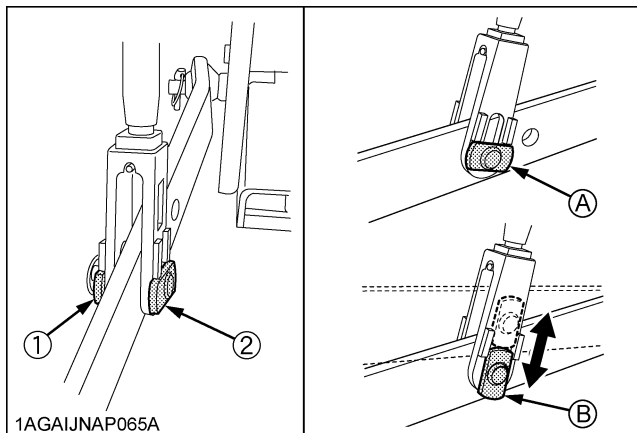
(1) Lower link
(2) Lifting rod
holes: (A), (B)

NOTE :

- The lifting rods may be attached to (A) for greater lifting force.

■ Adjusting Lateral Float

To allow the implement to follow ground contour, attach the rectangular washers and pin heads in vertical position. To hold the implement, reset the rectangular washers and pin heads in horizontal position.



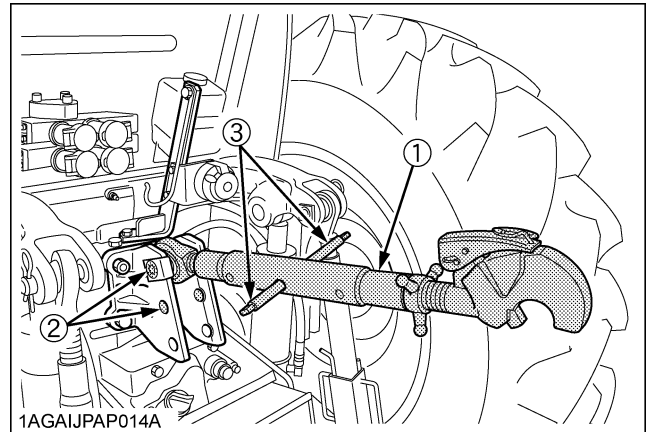
(1) Rectangular washer
(2) Pin head
(A) Horizontal position
(B) Vertical position

◆ Floating mechanism

When the floating mechanism is used, the implement is able to follow the tractor freely in response to the soil and ground conditions. This is suited for operation with implements wider than the tractor.

■ Selecting the Top Link Mounting Holes

Select the proper set of holes by referring to the "Hydraulic Control Unit Use Reference Chart" in "HYDRAULIC UNIT" section.



(1) Top link
(2) Mounting hole
(3) Handle

■ Drawbar

Remove the drawbar if a close mounted implement is attached.

2. Attaching and detaching implements

⚠ CAUTION

To avoid personal injury:

- Be sure to stop the engine.
- Do not stand between tractor and implement unless parking brake is applied.
- Before attaching or detaching implement, locate the tractor and implement on a firm level surface.
- Whenever an implement or other attachment is connected to the tractor 3-point hitch, check full range of operation for interference, binding or PTO separation.
- Do not exceed maximum allowable length of either lifting rod, or the lifting rod will come apart and the 3-point equipment may fall.

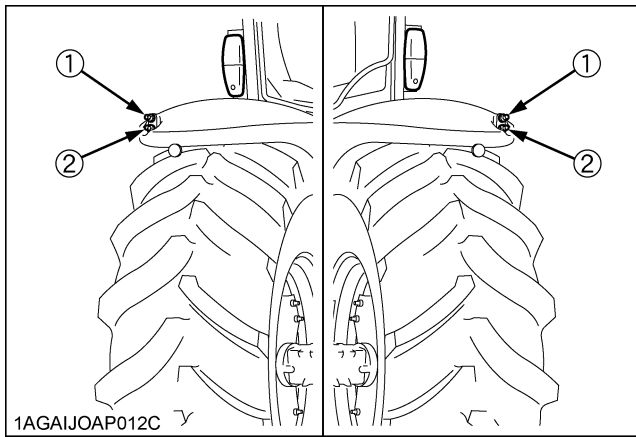
■ Remote Hitch UP / DOWN Switch

CAUTION

To avoid personal injury:

- Do not use the Remote hitch up / down switch when the implement is attached on the 3-point hitch.

These switches are used to raise and lower the 3-point hitch for aligning the arm with the implement only. Press the "UP" switch and 3-point hitch goes up. Press the "DOWN" switch and the 3-point hitch comes down. Movement of the 3-point hitch stops when the switch is released.



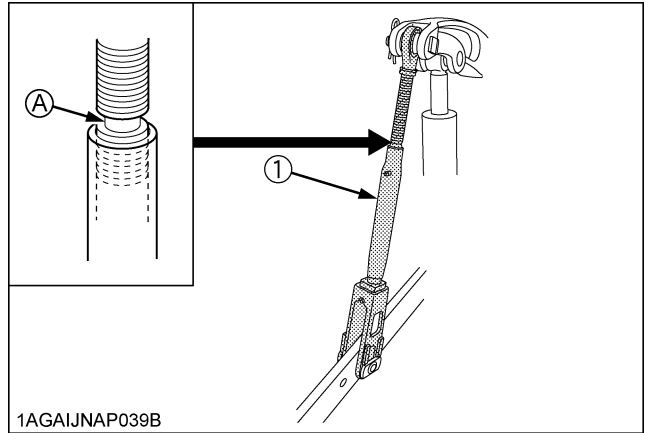
(1) "UP" switch
(2) "DOWN" switch

NOTE :

- If these switches are pushed, the 3-point hitch's position lock is activated and 3-P. Lifting / Lowering indicator starts flashing (two or so flash every second). If it flashing, press the 3-P. quick raise switch or 3-P. quick lower switch to release the position lock. (The indicator goes off or turns on.)

■ Lifting Rod (Left)

By turning the rod itself, the lifting rod varies its length. When extending the rod, do not exceed the groove on the rod thread.



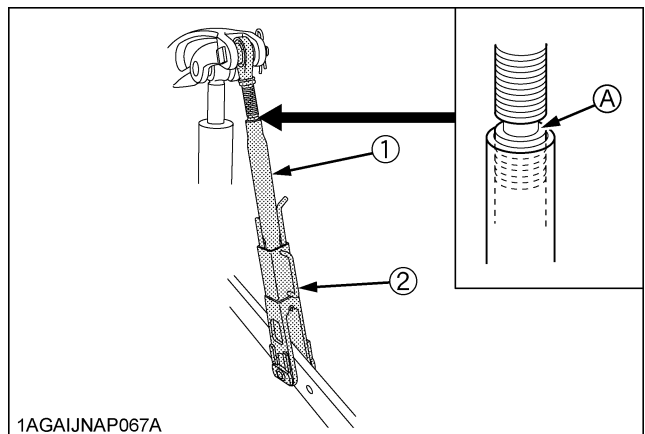
(1) Lifting rod (A) "GROOVE"

■ Lifting Rod (Right)

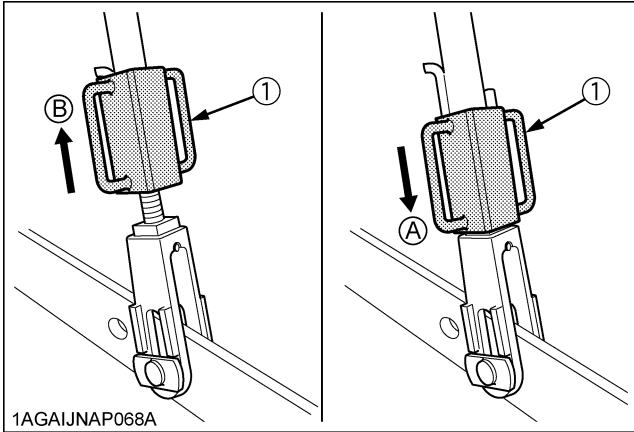
CAUTION

To avoid personal injury:

- Do not extend lifting rod beyond the groove on the thread rod.
1. To adjust the length of the lifting rod, lift the adjusting handle and turn to desired length.
 2. After adjusting, lower the lifting rod adjusting handle to the lock position.
 3. When extending the rod using adjusting handle, do not exceed the groove on the rod thread.



(1) Lifting rod (2) Adjusting handle (A) "GROOVE"



(1) Adjusting handle

(A) "LOCK POSITION"
(B) "UNLOCK POSITION"

Top Link

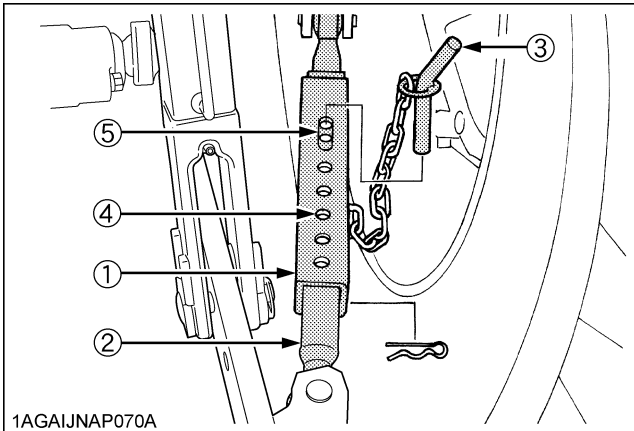
1. Adjust the angle of the implement to the desired position by shortening or lengthening the top link.
2. The proper length of the top link varies according to the type of implement being used.

Telescopic Stabilizers

Adjust the telescopic stabilizers to control horizontal sway of the implement. Select the proper set of holes by referring to the "Hydraulic Control Unit Use Reference Chart" in "REMOTE HYDRAULIC CONTROL SYSTEM" in "HYDRAULIC UNIT" section.

After aligning satisfactorily, insert the set-pin through any one of the five holes on the outer tube that align with one of the holes on the inner bar, both stabilizers will be locked.

If the set-pin is inserted through the slot to engage one of the holes on the inner bar, a limited degree of sway will be permitted.



(1) Outer tube
(2) Inner bar
(3) Set-pin

(4) Hole
(5) Slot

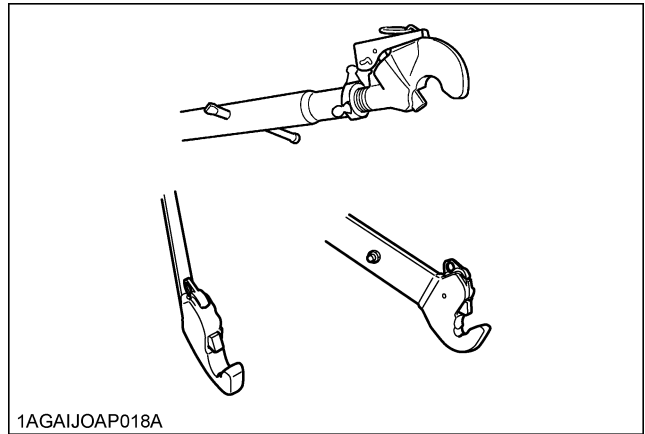
Quick Hitch (Hook type)



CAUTION

To avoid personal injury:
Confirm the under mentioned matter when installing the implement:

- Make sure the hook of a quick hitch is surely locked.

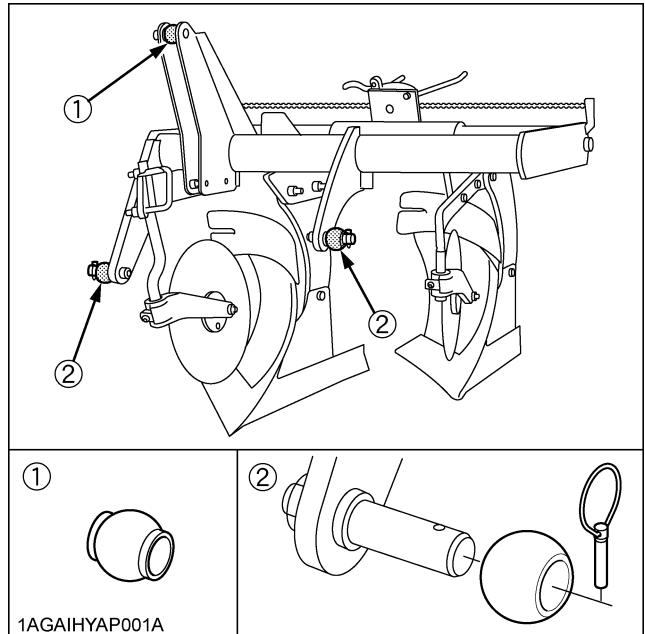


1AGAIJOAP018A

The 3-point hitch with quick-hitch consists of a pair of lower links and a top link, all of which have claw ends that permit rapid attaching and detaching of implements.

Installing Ball-joint to Implement

Before the implement is installed on the 3-point hitch with quick hitches, it is necessary to install the ball-joints to the implement according to the following instructions.



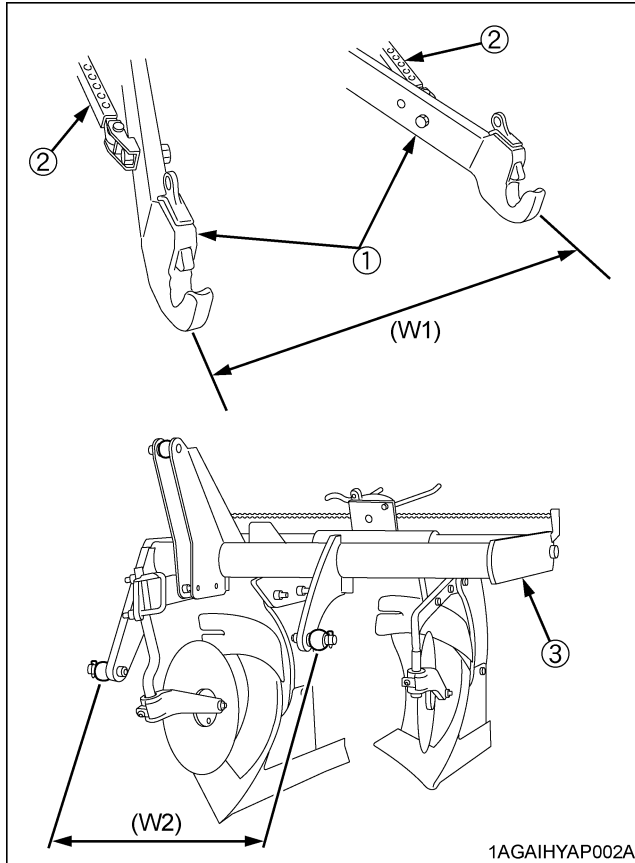
1AGAIHYAP001A

(1) Plain ball-joint (for upper hitch pin)
(2) Ball-joint (for lower hitch pin)

◆ **Adjusting Lower Link Width**

Set the width (W1) of lower links to be the same as width (W2) of the implement.

(See "Telescopic Stabilizers" in this section to adjust the width (W1) of lower links.



- (1) Lower link
- (2) Telescopic stabilizer
- (3) Implement

◆ **Attaching implement to Tractor**

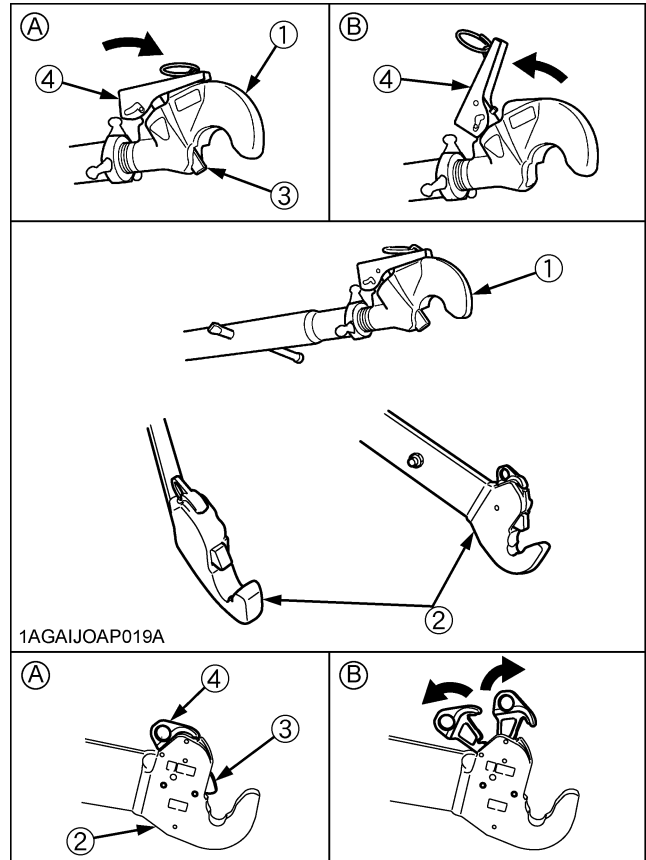
1. Set the release lever on the quick hitches to "LOCK" position, if its lever is in "UNLOCK" position. (Self-locking latches are closed)
2. With the lower links fully lowered, reverse the tractor until the quick hitches are beneath the implement ball-joints.
3. Raise the lower links using the hydraulic control lever until the quick hitches engage the ball-joints.

NOTE :

- An audible click will be heard as the self-locking latches engage the implement ball-joint.
4. Lower the top link hook onto the upper implement ball-joint and press down until the latch is engaged. If necessary, adjust the top link length.

NOTE :

- The hook of a top link is attached in a downward direction.



- (1) Top link
 - (2) Lower link
 - (3) Latch
 - (4) Release lever
- (A) "LOCK" position
(B) "UNLOCK" position

◆ **Detaching Implement from Tractor**

1. Fully lower the implement to the ground. Support the implement with parking stand. (if equipped) If necessary, adjust the top link and or lifting rod length so that the implement may stabilize on the ground.
2. Pull the release lever on the top link to release the hook from implement ball-joint. Hook the top link in the top link support.
3. Pull the release lever on both lower links to the unlocked position to release the quick hitches from implement ball-joints. The latches will disengage and allow the lower links to lower and detaching the implement.

DRAWBAR



WARNING

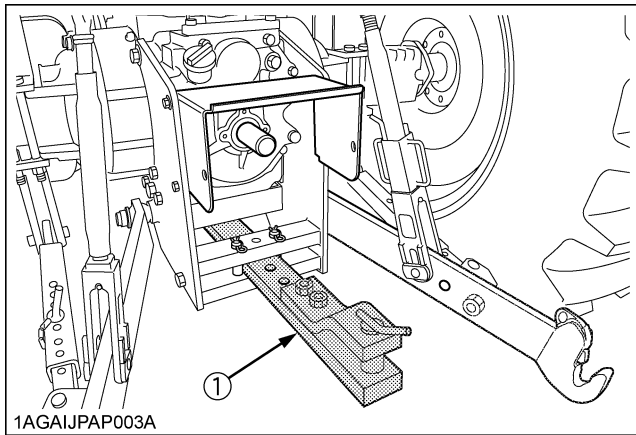
To avoid personal injury:

- Never pull from the top link, the rear axle or any point above the drawbar. Doing so could cause the tractor to tip over rearward causing personal injury or death.

■ Adjusting Drawbar Length

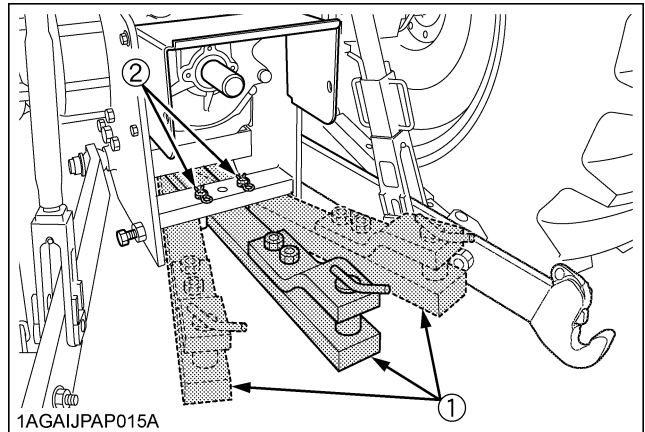
When towing an implement, it is recommended that the (A) hole in drawbar be utilized.

The drawbar load is specified in the "IMPLEMENT LIMITATIONS" section.

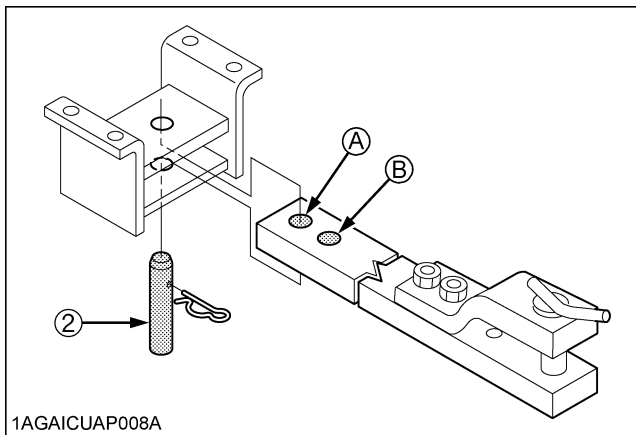


■ Swing Drawbar

The drawbar can be used in three different ways as illustrated below. Assemble it correctly with drawbar pins.



- (1) Drawbar
- (2) Locating pin
- (3) Looseness preventing bolt



- (1) Drawbar
- (2) Pivot pin

Holes: (A), (B)

HYDRAULIC UNIT

The standard tractor has following hydraulic control systems as shown below. Therefore, use the most appropriate system for the implement you are using.

◆ 3-Point Hitch Control System

1. Position Control
2. Mixed Draft Control

◆ Remote Hydraulic Control System

IMPORTANT :

- Do not operate until the engine is warmed up. If operation is attempted when the engine is still cold, the hydraulic system may be damaged.
- If noises are heard when implement is lifting after the hydraulic control lever has been activated, the hydraulic mechanism is not adjusted properly. Unless corrected, the unit will be damaged. Contact your KUBOTA Dealer for adjustment.

3-POINT HITCH CONTROL SYSTEM

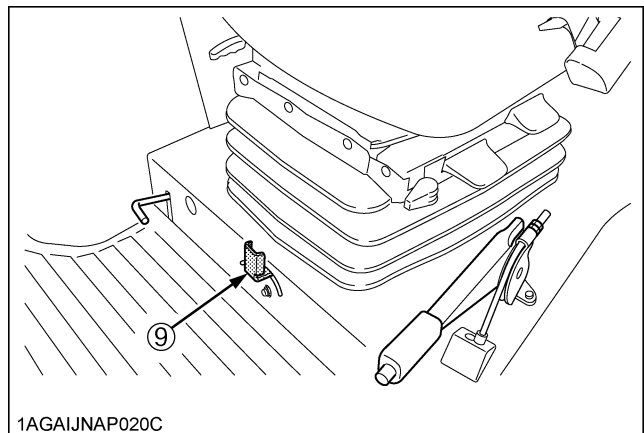
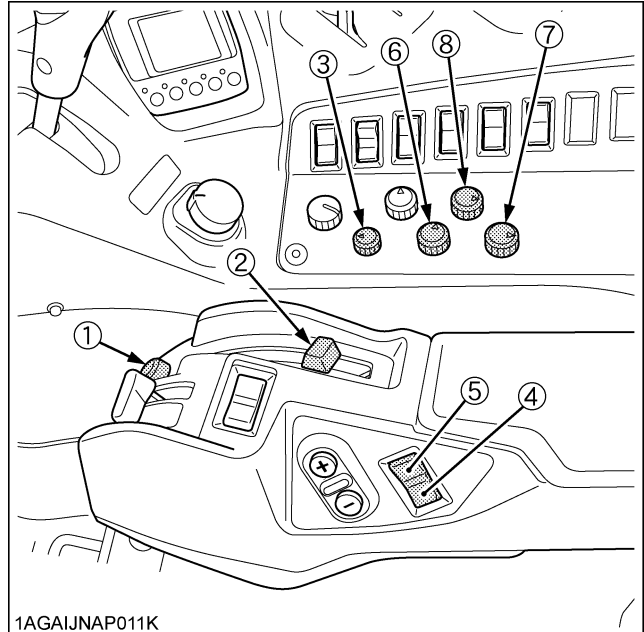


CAUTION

To avoid personal injury:

- Before using the 3-point hitch controls, ensure that no person or object is in the area of the implement or 3-point hitch. Do not stand on or near the implement or between the implement and tractor when operating the 3-point hitch controls.

■ Terminology



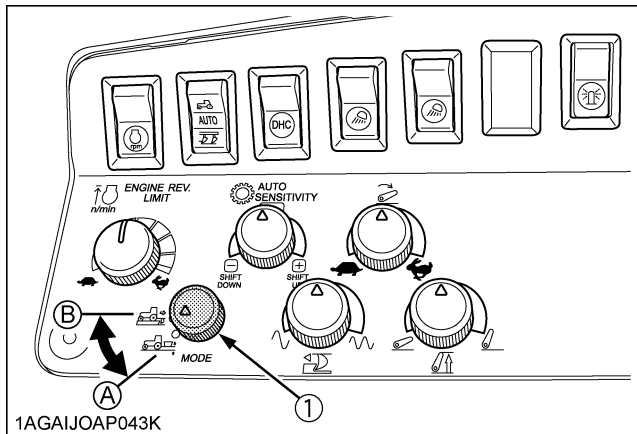
- (1) Bottom limit control dial
- (2) Hydraulic control lever
- (3) Mode selector switch
- (4) 3-P. Quick lower switch
- (5) 3-P. Quick raise switch
- (6) Draft ratio adjustment dial
- (7) Lift arm top limit adjustment dial
- (8) 3-point hitch lowering speed adjustment dial
- (9) 3-point hitch lowering lock lever

■ Mode Selector Switch

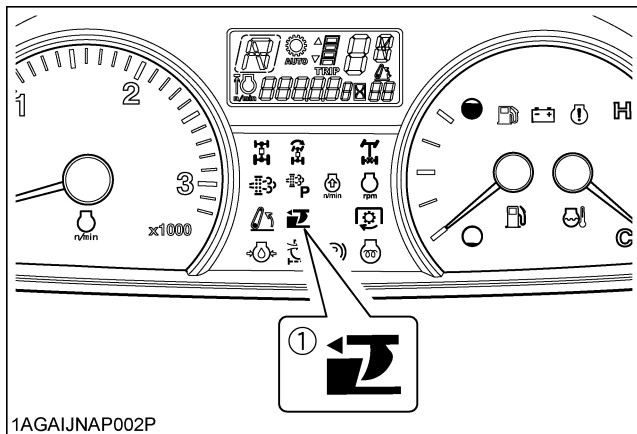
Select the position control or the draft control depending on the types of work. Choose the draft control for jobs requiring traction such as plowing and sub-soiling.

Draft control selected:..... The draft indicator lights up.

Position control selected:..... The draft indicator goes off.



(1) Mode selector switch (A) "POSITION CONTROL" (B) "DRAFT CONTROL"

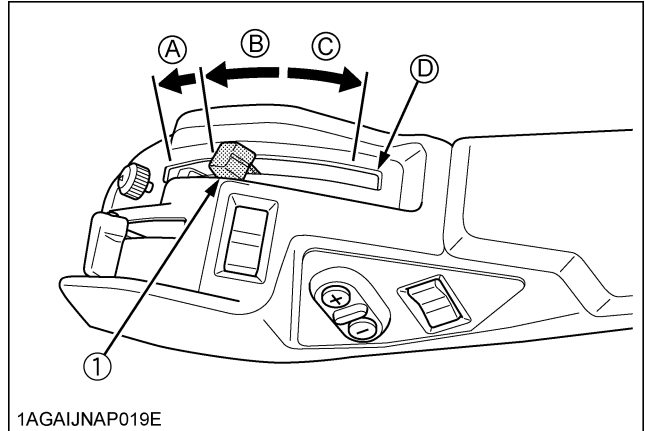


(1) Draft indicator

■ Position Control Mode

◆ Hydraulic control lever

This will control the working depth of 3-point hitch mounted implement regardless of the amount of pull required.



(1) Hydraulic control lever (A) "FLOAT" (B) "DOWN" (C) "UP" (D) "TRAVEL LOCK POSITION"

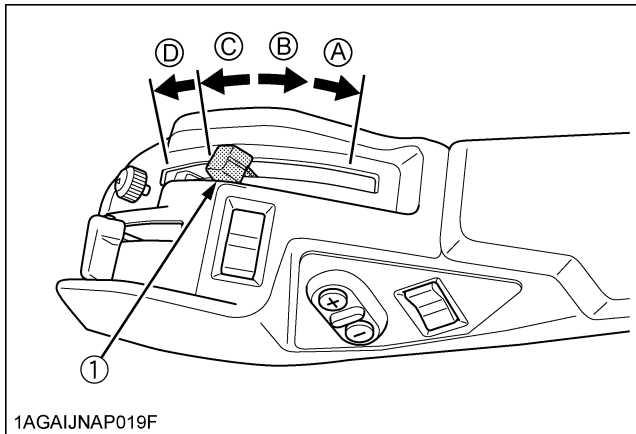
NOTE :

- While traveling, set the hydraulic control lever to the travel lock position (D) to prevent an unexpected drop of the implement.

Mixed Draft Control Mode

Hydraulic control lever

This will control the pull of the 3-point implement. As the load on the 3-point hitch changes due to various soil conditions, the draft control system automatically responds to these changes by either raising or lowering the implement slightly to maintain a constant pull. Set the implement pull with the hydraulic control lever.

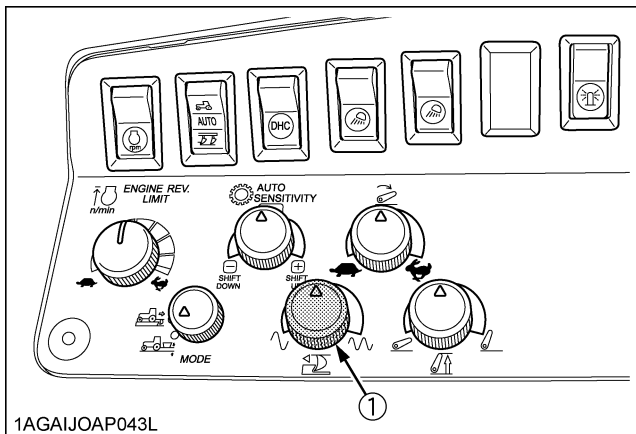


1AGAIJNAP019F

- (1) Hydraulic control lever
- (A) "UP"
- (B) "SHALLOW"
- (C) "DEEP"
- (D) "FLOAT"

Draft ratio adjustment dial

Set the mode selector switch to the "DRAFT" position. Turn the draft ratio adjustment dial to adjust to specific application requirement. Make settings according to the guidelines below.



1AGAIJOAP043L

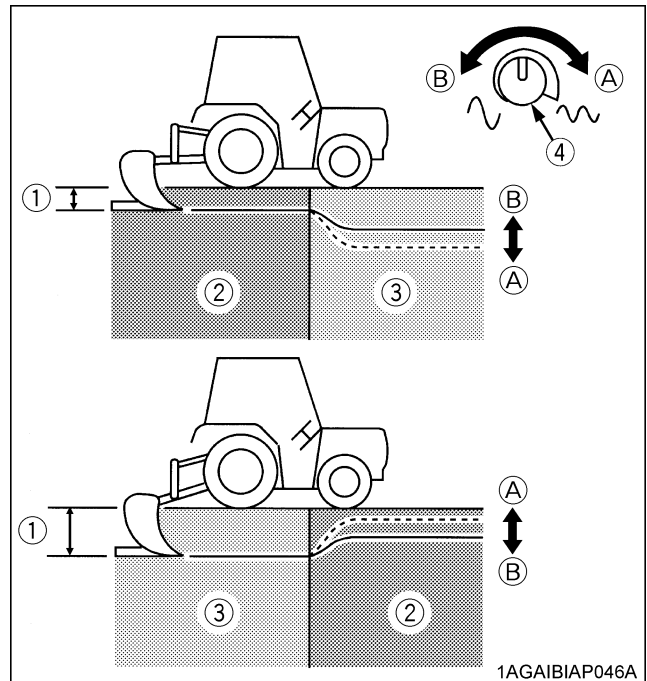
(1) Draft ratio adjustment dial

Draft ratio adjustment dial

	(Counterclockwise)	(Clockwise)
Plowing depth	Shallow	Deep
Type of soil	Light	Heavy
Field (ruggedness)	Little	Much
(Sensitivity)	(Low)	(High)

NOTE :

- The plowing depth may be affected when the draft ratio adjustment dial is used. Finally use the hydraulic control lever to readjust the plowing depth.



1AGAIBIAP046A

- (1) Plowing depth setting
- (2) Heavy soil
- (3) Light soil
- (4) Draft ratio adjustment dial
- (A) "CLOCKWISE"
- (B) "COUNTERCLOCKWISE"

Float Control

Place the hydraulic control lever in the float position to make the lower links move freely along with the ground conditions.

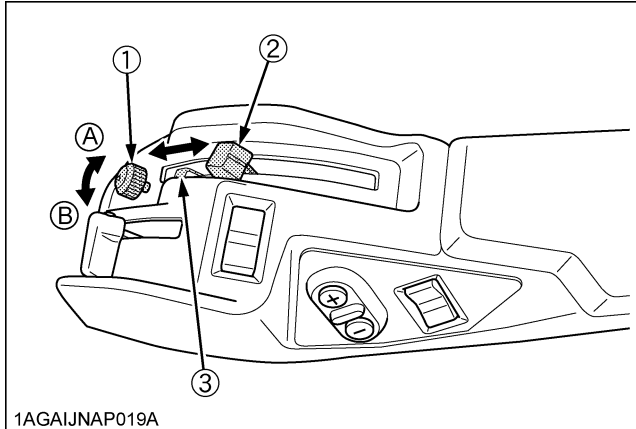
NOTE: (Handling the hydraulic control lever)

- After the engine has stopped, set the key switch to the "ON" position and lower the hydraulic control lever. Now the implement goes down. (The implement does not go down if the position lock is activated. See "3-Point Hitch's Position Lock" in this section.)

Bottom Limit Control Dial

This dial is used to change the bottom limit of the 3-point hitch.

1. Turn the dial in the "UP" direction, and the bottom limit of the hydraulic control lever will raise.
2. Turn the dial in the "DOWN" direction, and the bottom limit of the hydraulic control lever will lower.



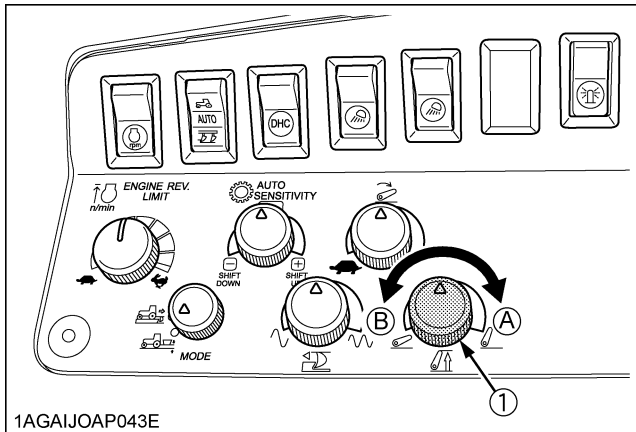
1AGAIJNAP019A

- (1) Bottom limit control dial (A) "UP"
 (2) Hydraulic control lever (B) "DOWN"
 (3) Bottom limit

Lift Arm Top Limit Adjustment Dial

This dial is used to change the top limit of the 3-point hitch.

1. Turn the dial in the "HIGH" direction, and the top limit of the 3-point hitch will raise.
2. Turn the dial in the "LOW" direction, and the top limit of the 3-point hitch will lower.



1AGAIJOAP043E

- (1) Lift arm top limit adjustment dial (A) "HIGH"
 (B) "LOW"

NOTE :

- Utilizing the lift arm top limit adjustment dial, the 3-P. Lifting / Lowering switch and the hydraulic control lever can be used to adjust the top limit to any level.

3-Point Hitch Lowering Speed Adjustment Dial

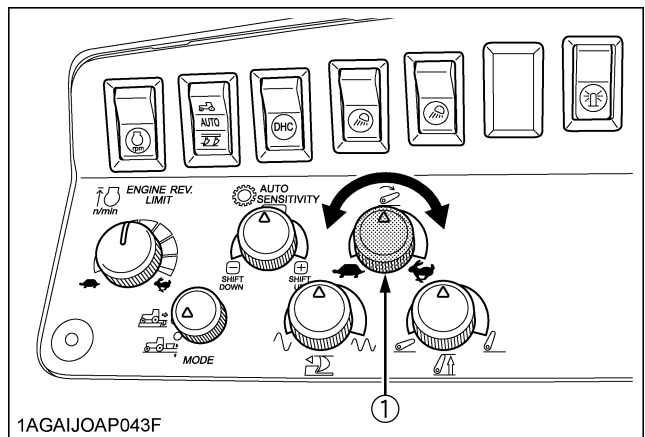
CAUTION

To avoid personal injury:

- Fast lowering speed may cause damage or injury. Lowering speed of implement should be adjusted to two or more seconds.

This dial is used to change the 3-point hitch's lowering speed.

1. Turn the dial in the "FAST" direction, and the 3-point hitch's lowering speed will increase.
2. Turn the dial in the "SLOW" direction, and the 3-point hitch's lowering speed will decrease.



1AGAIJOAP043F

- (1) 3-point hitch lowering speed adjustment dial "FAST"
 "SLOW"

NOTE :

- This dial is not operative for complete hydraulic lock. For traveling or for checking an implement, set the 3-point hitch lowering lock lever in the "LOCK" position.

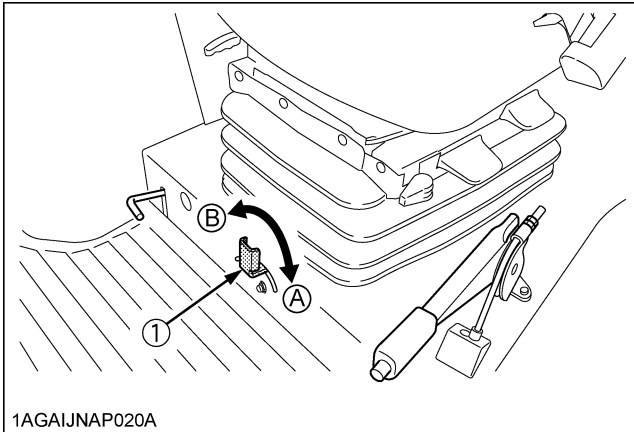
3-Point Hitch Lowering Lock Lever

CAUTION

To avoid personal injury:

- Before checking 3-point mounted implement, be sure to lock the implement with the lock lever. In such case, move the hydraulic control lever to the "DOWN" position and make sure the implement does not drop.

This lever has two positions "LOCK" and "UNLOCK". Do not hold the half way position. When traveling or checking with the implement raised, set the lever to the "LOCK" position.



(1) 3-point hitch lowering lock lever (A) "LOCK" (B) "UNLOCK"

NOTE :

- To adjust the implement lowering speed, use the 3-point hitch lowering speed adjustment dial.

■ 3-P. Quick Raise / Lower Switch



CAUTION

To avoid personal injury:

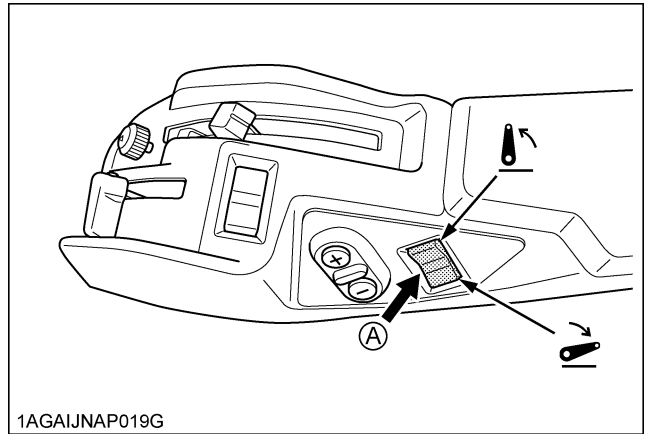
- Before road traveling, be sure to set the hydraulic control lever and the 3-point hitch lowering lock lever to the "TRAVEL LOCK" and "LOCK" positions, respectively.
- Do not use the 3-P. Quick Raise / Lower switch on road traveling.
- When an implement is changed, do not use the 3-P. Quick Raise / Lower switch before checking the full range of operation for interference using the hydraulic control lever.

These switches are used to raise and lower the implement. This facilitates turning in the field.

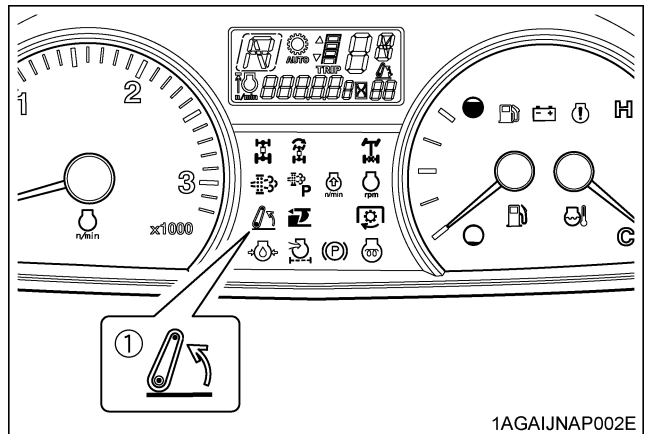
Press the "RAISE" switch, the 3-P. Lifting / Lowering indicator turns on and the implement goes up. Press the "LOWER" switch, the indicator goes off and the implement comes down.

When the "RAISE" switch has been pressed to raise the implement, the hydraulic control lever can not work.

To use the hydraulic control lever, first pull it up to the top position.



3-P. Quick raise switch (A) "PUSH"
3-P. Quick lower switch



(1) 3-P. Lifting / Lowering Indicator

NOTE :

- 3-point hitch working range
Set the hydraulic control lever for a bottom limit and the lift arm top limit adjustment dial for a top limit. The 3-P. Quick Raise / Lower switches are controls for the raising and lowering within the limits set by the hydraulic control lever and the lift arm top limit adjustment dial.
- One-touch floating function
Set the mode selector switch to the "DRAFT" position. Hold down the "LOWER" switch to keep the 3-point hitch floating. This function is helpful in plowing, for example. Release the switch and the 3-point hitch returns to the draft control position.
- "RAISE" and "LOWER" operation with the 3-point hitch going halfway
 - When the "LOWER" switch is pressed with the 3-point hitch going up halfway, the 3-point hitch stops at this position. (The indicator turns on.) Re-push the "RAISE" or "LOWER" switch, and the 3-point hitch will go up or down respectively.
 - To lower the 3-point hitch with the 3-point hitch going up halfway, hold down the "LOWER" switch for 2 seconds or push it twice.

(3) When the "RAISE" switch is pressed with the 3-point hitch going down halfway, the 3-point hitch goes up.

3-Point Hitch's Position Lock

◆ Position Lock

If any of the following actions are made with the hydraulic control lever and the lower links at different heights, the position lock is activated. The 3-point hitch control is interrupted and the 3-P. Lifting / Lowering indicator starts flashing (two or so flashes every second).

1. Starting the engine.
2. Activating the 3-P. Remote hitch Up / Down switch.
3. Changing the mode selector switch.

◆ Releasing the position lock

If applied, press the 3-P. Quick Raise switch or 3-P. Quick Lower switch.

NOTE :

- When the position lock is released with the 3-P. Quick Raise / Lower switches, the 3-point hitch goes up or down.

REMOTE HYDRAULIC CONTROL SYSTEM

The hydraulic auxiliary control valves can be installed up to quartet segments.

Remote Control Valve

There are two types of remote valves available for these models.

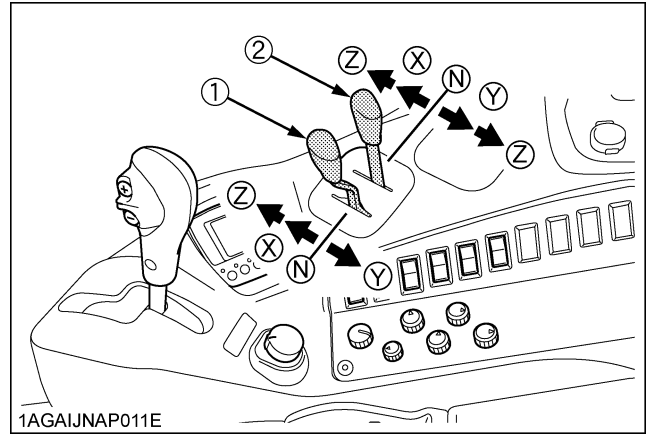
- Double acting valve with detents and self cancelling:
This valve may be placed in the detent mode. The lever will stay in this position until the pressure reaches a predetermined level or a cylinder reaches the end of its stroke. Then it will automatically return to neutral
- Double acting valve with float position:
This valve may be placed in the float mode with the control lever all the way forward. The cylinder is free to extend or retract, letting an implement such as a loader bucket follow the ground.

Remote Control Valve Lever

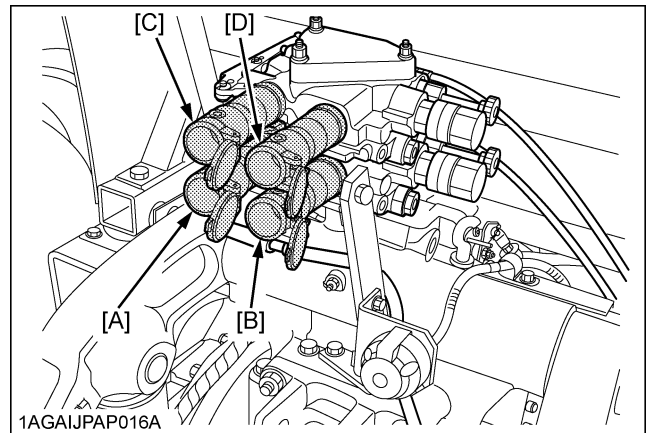
The remote control valve lever directs pressurized oil flow to the implement hydraulic system.

[Example: Installing double segment valves]

1st	Double acting valve with float position (standard)
2nd	Double acting valve with detents and self cancelling (standard)



(1) Remote control valve lever 1
(2) Remote control valve lever 2



Pressure →
Returning ←

Lever (1)		Lever position		
		Z (detent)	X	Y
Port	(A)	in	in ←	out →
	(B)	out	out →	in ←

Lever (2)		Lever position			
		Z(detent)	X	Y	Z(detent)
Port	(C)	in ←		out →	
	(D)	out →		in ←	

IMPORTANT :

- Do not hold the lever in the "pull" or "push" position once the remote cylinder has reached the end of the stroke, as this will cause oil to flow through the relief valve. Forcing oil through the relief valve for extended periods will overheat the oil.

- When using the tractor hydraulic system to power front loader, do not operate boom and bucket cylinders simultaneously.

NOTE :

- Connect the pressure of load side of implement cylinders to ports (A) or (C) which have built in load check valve to prevent leak down.
- To use the single-acting cylinder with the float valve, connect this cylinder to the (A) port.
To extend a single-acting cylinder, pull the remote control valve lever downward. To retract a cylinder, push it fully upward to the "FLOAT" position. Do not hold it in the push position, the transmission fluid may be overheat.

■ Remote Control Valve Coupler Connecting and Disconnecting

**CAUTION**

To avoid personal injury:

- Stop the engine and relieve pressure before connecting or disconnecting lines.
- Do not use your hand to check for leaks.

◆ Connecting

1. Clean both couplers.
2. Remove dust plugs.
3. Insert the implement coupler to the tractor hydraulic coupler.
4. Pull the implement coupler slightly to make sure couplers are firmly connected.

◆ Disconnecting

1. Lower the implement first to the ground to release hydraulic pressure in the hoses.
2. Clean the couplers.
3. Relieve pressure by moving hydraulic control levers with engine shut off. Pull the hose straight from the hydraulic coupler to release it.
4. Clean oil and dust from the coupler, then replace the dust plugs.

NOTE :

- Your local KUBOTA Dealer can supply parts to adapt couplers to hydraulic hoses.

■ Adjusting the flow rate

**CAUTION**

To avoid the possibility of personal injury be aware of the following when making adjustments:

- The 3-point hitch operation is influenced by the combination of the adjustment of the flow control valve and the engine speed.
- The 3-point hitch may raise slowly or not at all at low engine RPM.
- The 3-point hitch may raise suddenly if engine RPM is increased, or, flow control adjustment is changed.

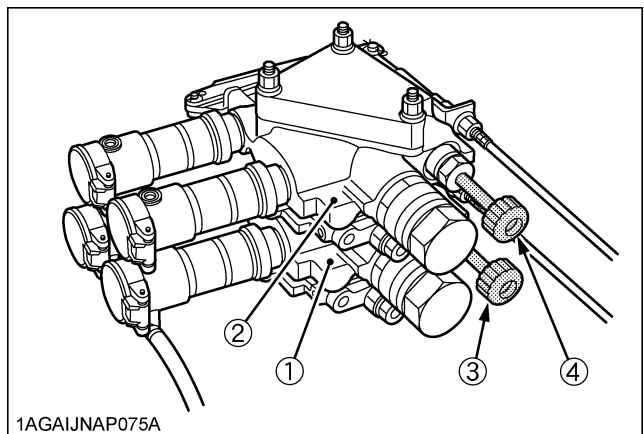
◆ Flow control

The remote control valve with flow control may be added for the following purposes.

1. The attachments that are connected with the auxiliary control valve can be independently adjusted for flow rate.
2. To operate within limits, the remote control valves (1) and/or (2) and the 3-point hitch at the same time without one affecting the other.
3. To maintain within limits, the constant speed of an attachment (hydraulic motor RPM, for example) when connected to the remote control valves (1) and/or (2).

NOTE :

- At slower engine speeds the total hydraulic flow rate may be inadequate for simultaneous operation of the remote control valves (1) and/or (2) and the 3-point hitch, or operation of an attachment connected to the remote control valves (1)(2). Under these conditions, the engine speed must be increased to provide additional hydraulic flow.



- 1AGAIJNAP075A
- (1) Remote control valve with flow control
 - (2) Remote control valve with flow control
 - (3) Flow control knob for valve (1)
 - (4) Flow control knob for valve (2)

◆ Adjusting the flow rate

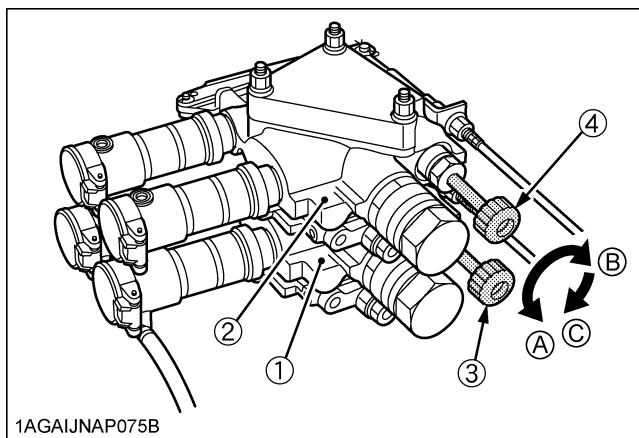
1. The flow rate for the remote control valves (1) and (2) can be adjusted.
2. Turn the flow control knobs (3) and/or (4) counterclockwise (A), and the flow rate for the remote control valves (1) and/or (2) increases. A clockwise turn (B) of the knob causes the flow to decrease. If the knob is turned all the way (C), there will be no flow.
3. To adjust the flow rate, set the engine speed to the operating RPM, turn the flow control knob once all the way clockwise (C), and then turn it gradually counterclockwise until a required flow rate is reached.

NOTE :

- Oil from the pump flows by priority to the auxiliary control valve. Surplus oil is fed to the 3-point hitch. With the auxiliary control valve at neutral, the total flow from the pump is fed to the 3-point hitch.

IMPORTANT :

- When there is no need to adjust the flow rate, turn the flow control knob all the way counterclockwise and keep it in this position.

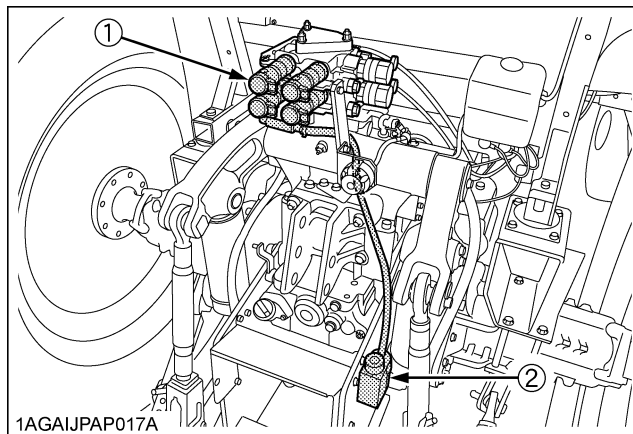


- (1) Remote control valve with flow control
 (2) Remote control valve with flow control
 (3) Flow control knob for valve (1)
 (4) Flow control knob for valve (2)

- (A) "INCREASE"
 (B) "DECREASE"
 (C) "STOP"

■ Remote Couplers Spillage Collector

With the remote control valve coupler in place, a slight amount of oil leaking from the coupler is recovered. In this way, no oil is splashed around the tractor body.



- (1) Collector cap
 (2) Oil tank

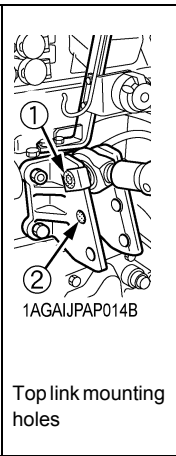
IMPORTANT :

- Oil recovered contains dust and water. Do not pour such oil back into the transmission case.

Hydraulic Control Unit Use Reference Chart

In order to handle the hydraulics properly, the operator must be familiar with the following.

Though this information may not be applicable to all types of implements and soil conditions, it is useful for general conditions.

Implement	Soil condition	Top link mounting holes	(1) Mode selector switch	(2) Hydraulic control lever	(3) Draft ratio adjustment dial	Gauge wheel	Telescopic stabilizers	Remarks
Moldboard plow Disc plow Harrower (spike, springtooth, disc type) Sub-soiler.....	Light soil Medium soil Heavy soil --- ---	 2	Draft Control (A)	Mixed draft control Place the hydraulic control lever to the suitable position.	Turn the dial to the suitable position	YES/NO	Loose	Insert the telescopic stabilizer set-pin through the slot on the outer tube that align with one of the holes on the inner bar.
Weeder, ridger..... Earthmover, digger, scraper, manurefork, rear carrier..... Mower (mid- and rear-mount type) Hayrake, tedder.....	---	1	Position control (B)	Position Control Place the hydraulic control lever to the suitable position.	---	YES YES/NO NO	Tighten	Telescopic stabilizer should be tight enough to prevent excessive implement movement when implement is in raised position. For implements with gauge wheels, lower the position control lever all way.

NOTE :

- With an implement mounted, use the top hole of the top link holder to keep the implement as horizontal as possible, and its center hole to keep the implement tilted forward. Only if the implement is not well matched, the lower hole may be used.

TIRES, WHEELS AND BALLAST

TIRES



WARNING

To avoid personal injury:

- Do not attempt to mount a tire on a rim. This should be done by a qualified person with the proper equipment.
- Always maintain the correct tire pressure. Do not inflate tires above the recommended pressure shown in the operator's manual.

IMPORTANT :

- Do not use tires other than those approved by KUBOTA.

NOTE :

- When optional different-diameter tires are fitted on the machine, the travel speed display mode must be changed. Otherwise the travel speed will not get correctly displayed. Such mode switching is also needed when the original tires are back on the machine.
(See "SIDE DIGITAL DISPLAY" in "OPERATING THE TRACTOR" section.)

■ Inflation Pressure

Though the tire pressure is factory-set to the prescribed level, it naturally drops slowly in the course of time. Thus, check it everyday and inflate as necessary.

NOTE :

- Maintain the maximum pressure in front tires, if using a front loader or when equipped with a full load of front weights.

	Tire sizes	Inflation Pressure
Front	340/85R24	160 k Pa (1.6 kgf/cm ²)
	380/70R24	
	420/70R24	
	380/85R24	
Rear	480/70R34	
	540/65R34	
	420/85R34	
	520/70R38	
	460/85R38	

■ Dual Tires

Dual tires are not approved.

WHEEL ADJUSTMENT



CAUTION

To avoid personal injury:

- When working on slopes or when working with trailer, set the wheel tread as wide as practical for maximum stability.
- Support tractor securely on stands before removing a wheel.
- Do not work under any hydraulically supported devices. They can settle, suddenly leak down, or be accidentally lowered. If necessary to work under tractor or any machine elements for servicing or adjustment, securely support them with stands or suitable blocking beforehand.
- Never operate tractor with a loose rim, wheel, or axle.

■ Front Wheels (with four wheel drive)

Front tread width can be adjusted as shown with the standard equipped tires.

To change the tread width

1. Remove the wheel rim and disk mounting bolts.
2. Change the position of the rim and tire to the desired position, and tighten the bolts.
3. Adjust the toe-in [2 to 8mm]
See "Adjusting Toe-in" in "EVERY 200 HOURS" in "PERIODIC SERVICE" section.

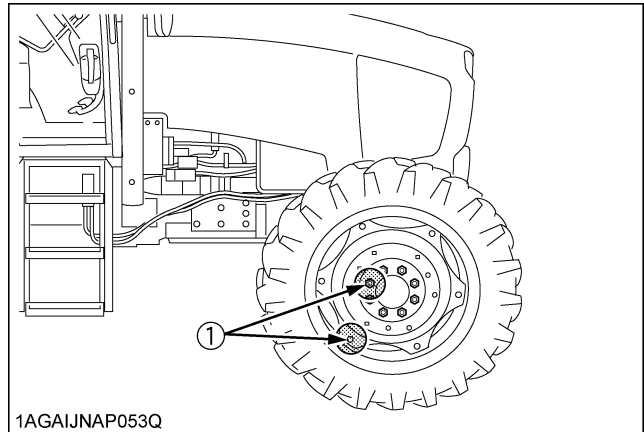
[M100GX]			
340/85R24	---	1430 mm	1530 mm
[M110GX]			
340/85R24	---	1555 mm	1655 mm
[M126GX, M135GX]			
420/70R24 380/85R24	1620 mm	1640 mm	1740 mm

- Need to limit turning angle depended on the tire size and tread.

IMPORTANT :

- Always attach wheels as shown in the drawing.
- If not attached as illustrated, transmission parts may be damaged.

- When re-fitting or adjusting a wheel, tighten the bolts to the following torques then recheck after driving the tractor 200m (200 yards) and 10 times of shuttle movement by 5 m (5 yards), and thereafter according to service interval. (See "MAINTENANCE" section.)



(1) 260 to 304 N-m (26.5 to 31 kgf-m)

NOTE :

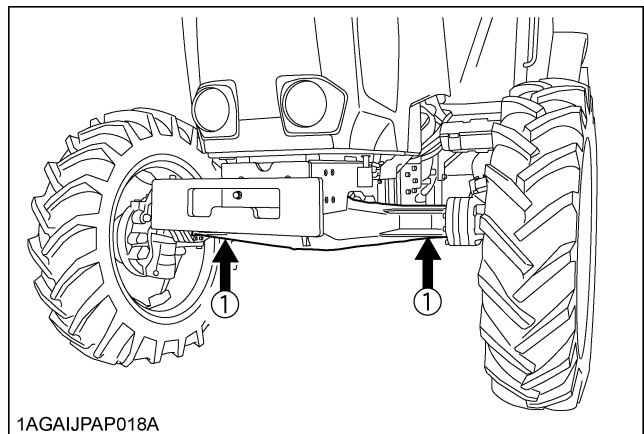
- Wheels with beveled or tapered holes: Use the tapered side of lug nut.



CAUTION

To avoid personal injury:

- Before jacking up the tractor, park it on a firm and level ground and chock the rear wheels.
- Fix the front axle to keep it from swinging.
- Select jacks that withstand the machine weight and set them up as shown below.



(1) Jack point

■ Adjusting Front Wheel Turning Stopper Bolt

[M100GX, M110GX]

◆ Adjusting procedure

1. Adjust the right and left front stoppers according to the front wheel turning angle.
2. Adjusting the rear stoppers:
 - (1) Turn the steering wheel fully clockwise until the left front stopper comes into the case. Adjust the right rear stopper so that there is a clearance of about 1 mm (0.04 in.) between the right rear stopper and the case.
 - (2) Turn the steering wheel counterclockwise to readjust the left rear stopper.

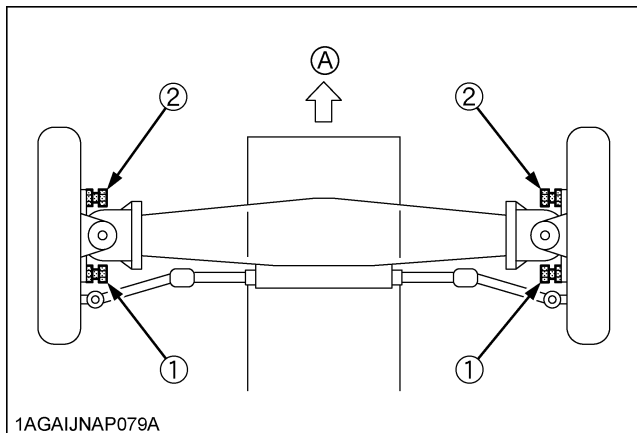
[M126GX, M135GX]

◆ Adjusting procedure

1. Adjust the right and left rear stoppers according to the front wheel turning angle.
2. Adjusting the front stoppers:
 - (1) Turn the steering wheel fully clockwise until the right rear stopper comes into the case. Adjust the front stopper so that there is a clearance of about 1 mm (0.04 in.) between the left front stopper and the case.
 - (2) Turn the steering wheel counterclockwise to readjust the right front stopper.

IMPORTANT :

- Always check if tires contact with tractor or loader frame assemblies.
- Adjust turning angle with provided stoppers if necessary.
- Bi-speed will not activate if turning angle is less than 34 degree.



(1) Rear stopper bolts
(2) Front stopper bolts

(A) "FRONT"

M100GX M110GX	FRONT stopper bolts (ex. LH stopper bolt)		
Angle	50°	45°	42°
Stopper			
Angle	37°	33°	30°
Stopper			
M126GX M135GX	REAR stopper bolts (ex. LH stopper bolt)		
Angle	50°	48°	45°
Stopper			
Angle	40°		37°
Stopper			

- (A) 5 mm collar
- (B) 7 mm collar
- (C) 12.5 mm collar
- (D) 1 mm shim

■Rear Wheels

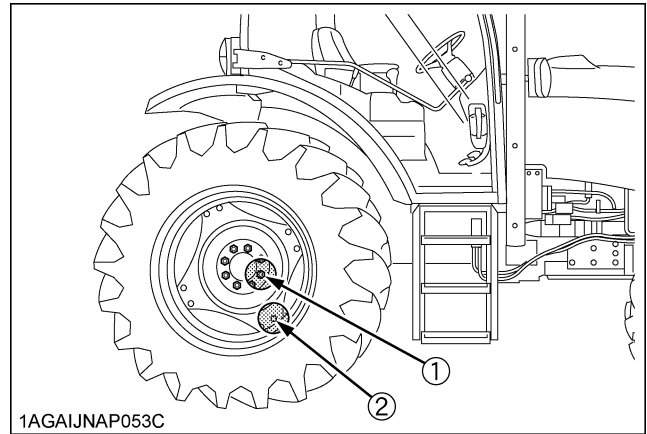
Rear tread width can be adjusted as shown with the standard equipped tires.

To change the tread width

1. Remove the wheel rim and / or disk mounting bolts.
2. Change the position of the rim and / or disk (right and left) to the desired position, and tighten the bolts.

IMPORTANT :

- Always attach wheels as shown in the drawing.
- If not attached as illustrated, transmission parts may be damaged.
- When re-fitting or adjusting a wheel, tighten the bolts to the following torques then recheck after driving the tractor 200m (200 yards) and 10 times of shuttle movement by 5 m (5 yards), and thereafter according to service interval. (See "MAINTENANCE" section.)



		N-m (kgf-m)	
(1)	(2)		
	Cast iron disk		
343 to 401 (35.0 to 41.0)	305 to 325 (31.1 to 33.2)		

[Cast iron disc]

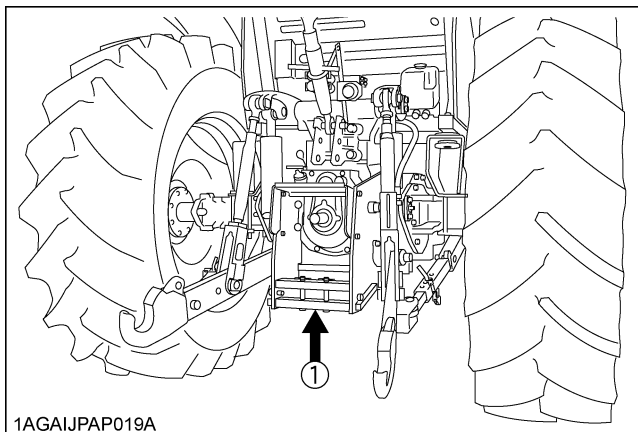
M100GX M110GX	480/70R34 540/65R34 420/85R34	1530 mm	1630 mm	1735 mm	1835 mm	1935 mm	2035 mm
M126GX M135GX	520/70R38 460/85R38	1590 mm	1710 mm	1760 mm	1880 mm	1965 mm	2085 mm

1AGAIJPAP025A

**CAUTION**

To avoid personal injury:

- Before jacking up the tractor, park it on a firm and level ground and chock the front wheels.
- Fix the front axle to keep it from swinging.
- Select a jack that withstands the machine weight and set it up as shown below.



1AGAIJPAP019A

(1) Jack point

BALLAST**CAUTION**

To avoid personal injury:

- Additional ballast will be needed for transporting heavy implements. When the implement is raised, drive slowly over rough ground, regardless of how much ballast is used.
- Do not fill the front wheels with liquid to maintain steering control.

■ Front Ballast

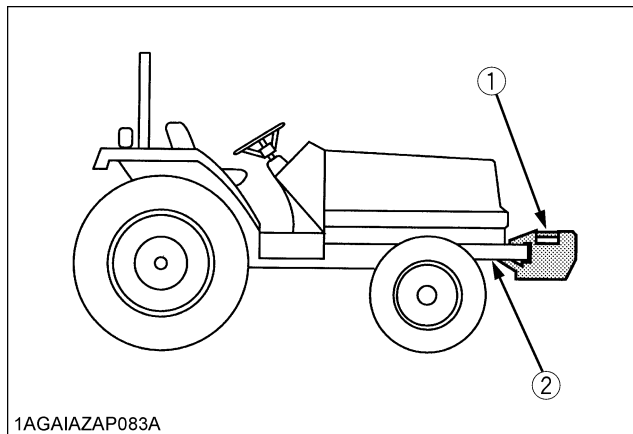
Add weights if needed for stability and improve traction. Heavy pulling and heavy rear mounted implements tend to lift front wheels.

Add enough ballast to maintain steering control and prevent tip over. Remove weight when no longer needed.

◆ Front End Weights (option)

The front end weights can be attached to the bumper.

See your implement operator's manual for required number of weights or consult your local KUBOTA Dealer to use.



1AGAI AZAP083A

(1) Front end weights

(2) Bumper

IMPORTANT :

- Do not overload tires.
- Add no more weight than indicated in chart.

Maximum weight	45 kg x 12 pieces
----------------	-------------------

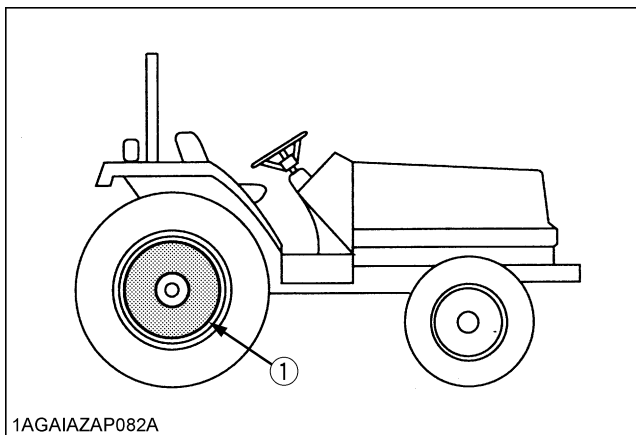
■ Rear Ballast

Add weight to rear wheels if needed to improve traction or for stability. The amount of rear ballast should be matched to job and the ballast should be removed when it is not needed.

The weight should be added to the tractor in the form of liquid ballast, rear wheel weights or a combination of both.

◆ Rear Wheel Weights (option)

The rear wheel weights can be attached to the rear wheel. See your implement operator's manual for required number of weights or consult your local KUBOTA Dealer to use.



1AGAIAZAP082A

(1) Rear wheel weights

IMPORTANT :

- Do not overload tires.
- Add no more weight than indicated in chart.

Maximum weight per wheel	[Cast iron disk] 72.5 kg x 2 pieces
	[Steel disk] 72.5 kg x 3 pieces

◆ Liquid Ballast in Rear Tires

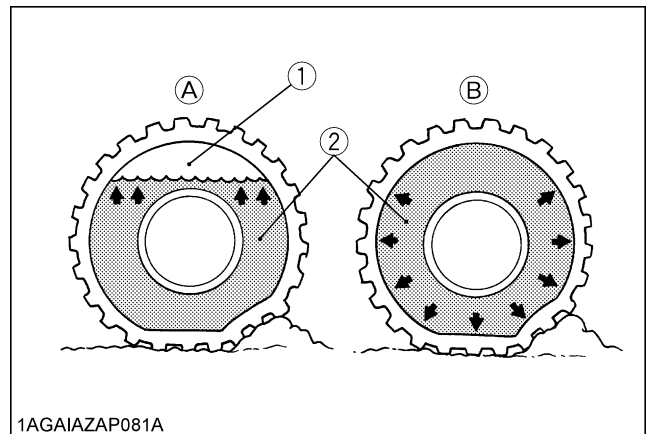
Water and calcium chloride solution provides safe economical ballast. Used properly, it will not damage tires, tubes or rims. The addition of calcium chloride is recommended to prevent the water from freezing. Use of this method of weighting the wheels has the full approval of the tire companies. See your tire dealer for this service.

Liquid weight per tire (75 Percent filled)

Tire sizes	480/70R34	540/65R34	420/85R34	520/70R38	460/85R38
Slush free at -10 °C Solid at -30 °C [Approx. 1 kg CaCl ₂ per 4 L of water]	364 kg	394 kg	359 kg	522 kg	460 kg
Slush free at -24 °C Solid at -47 °C [Approx. 1.5 kg CaCl ₂ per 4 L of water]	381 kg	414 kg	376 kg	548 kg	483 kg
Slush free at -47 °C Solid at -52 °C [Approx. 2.25kg CaCl ₂ per 4 L of water]	405 kg	442 kg	400 kg	587 kg	514 kg

IMPORTANT :

- Do not fill tires with water or solution more than 75% of full capacity (to the valve stem level).



1AGAIAZAP081A

- (1) Air (A) Correct-75% Air compresses like a cushion
 (2) Water (B) Incorrect-100% Full Water can not be compressed

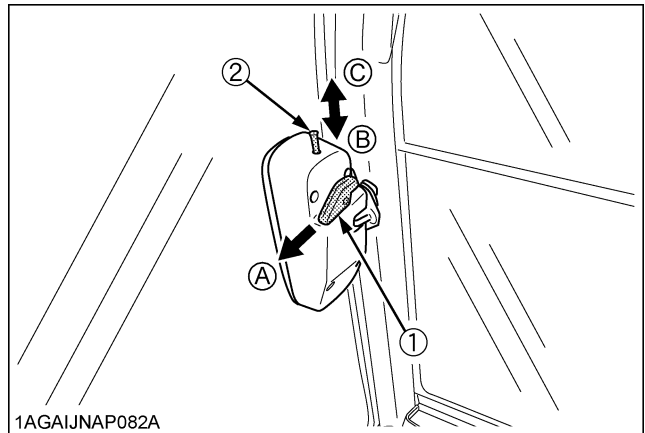
CAB OPERATION

DOOR AND WINDOW

■ Locking and Unlocking the Door

From the outside Insert the key into the door lock. Turn the key clockwise to unlock the door. To lock the door, turn the key in the opposite direction. The key can be removed when it is in the vertical direction.

From the inside Push down the lock knob to lock the door. Pull up the lock knob to unlock the door.



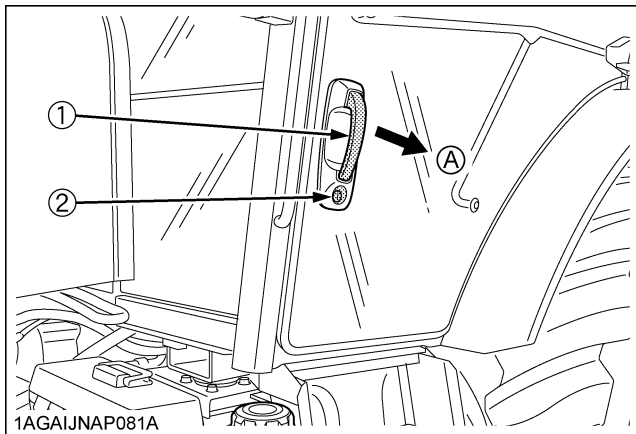
1AGAIJNAP082A

(1) Inner door handle
(2) Lock knob

(A) "PULL"
(B) "PUSH" (Lock)
(C) "PULL" (Unlock)

■ Opening the Door

From the outside Unlock the door, and pull the outer door handle.



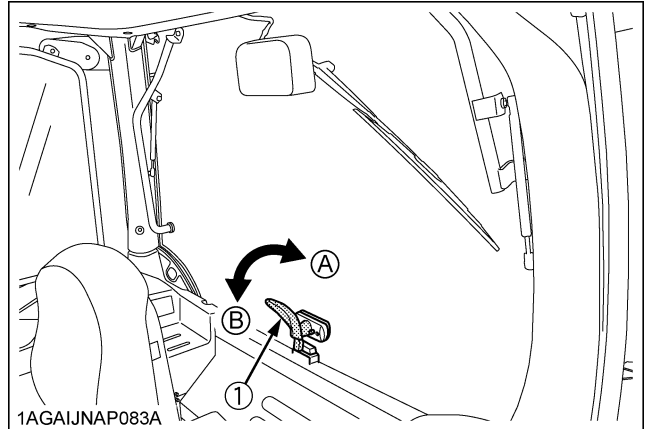
1AGAIJNAP081A

(1) Outer door handle
(2) Door lock

(A) "PULL"

■ Rear Window

Turn the rear window handle clockwise to the vertical position and push the handle. The rear window is opened by the gas spring cylinder.



1AGAIJNAP083A

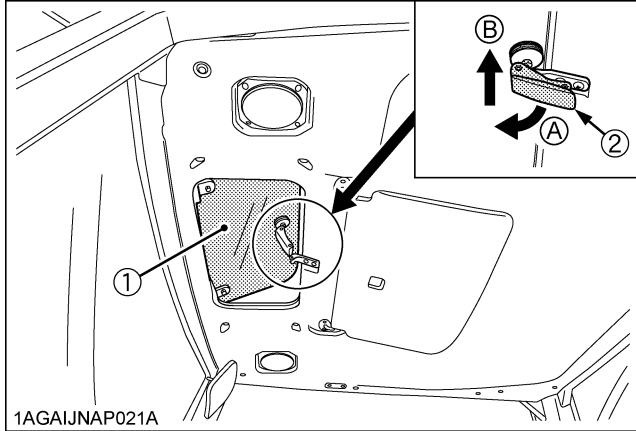
(1) Rear window handle

(A) "OPEN"
(B) "CLOSE"

From the inside Unlock the door and pull the inner door handle.

■Sun Roof

Raise the front loader, and visually check to see if the tip of an attachment (bucket and fork, for example) is visible in its position or angle from the operator's seat.



(1) Sun roof (A) "PULL"
 (2) Sun roof handle (B) "PUSH" (Open)

NOTE :

- Open the sun roof, to allow outside air in.

■Emergency Exit

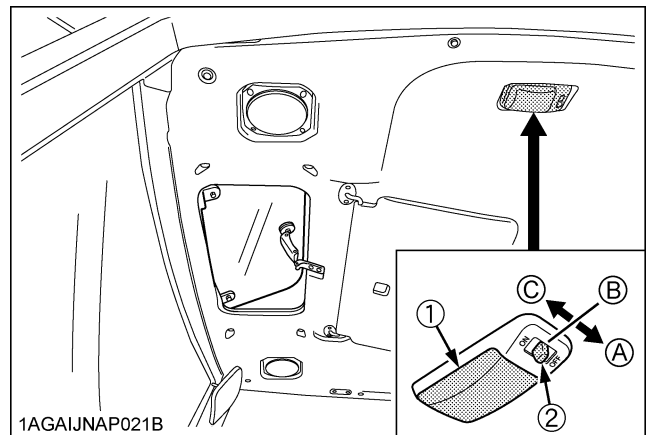
1. Open the right door of the cab if the left door is blocked, and vice versa in an emergency situation.
2. Exit through rear window if CAB doors are blocked in an emergency situation.

DOME LIGHT

■Dome Light

Sliding the dome light switch will give the following light condition:

- OFF The light does not turn on when the door is opened.
- DOOR The light turns on when the door (LH) is opened. It turns off when the door (LH) is closed.
- ON The light remains on regardless of the door position.



(1) Dome light (A) "OFF"
 (2) Dome light switch (B) "DOOR"
 (C) "ON"

IMPORTANT :

- The battery will discharge if the dome light remains on. Be sure to check the dome light switch position and/or door closure.

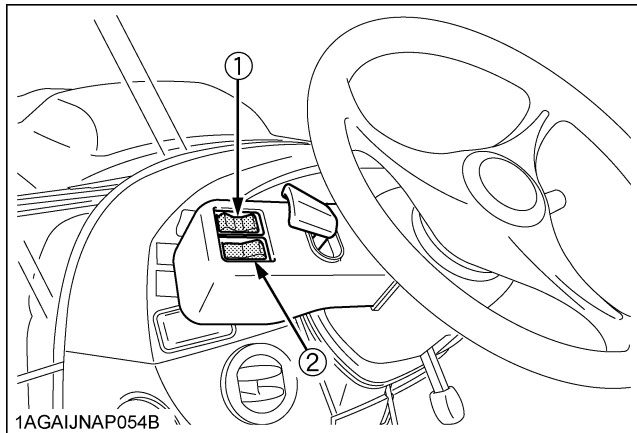
WIPER

■Front Wiper / Washer Switch

1. Turn on the key switch and press the right half of the wiper switch to the first step, the wiper is activated. When the switch is pressed further to the second step, washer liquid jets out. The jetting continues while the switch is pressed and the wiper is activated continuously.
2. Press the left half to the first step, the wiper is activated at regular intervals. When the switch is pressed further to the second step, washer liquid jets out and the wiper is activated at regular intervals.

■Rear Wiper / Washer Switch

1. Turn on the key switch and press the right half of the wiper switch to the first step, the wiper is activated. When the switch is pressed further to the second step, washer liquid jets out. The jetting continues while the switch is pressed and the wiper is activated continuously.
2. Press the left half of the wiper / washer switch, washer liquid only jets out.



(1) Front wiper / washer switch
(2) Rear wiper / washer switch

IMPORTANT :

- Do not activate the wipers when the windows are dry, they may be scratched. Be sure to jet washer liquid first and then activate the wipers.

■Using the Wipers in Cold Season

1. While not used in cold season, keep the wiper blades off the windshield to prevent them from being stuck with ice.
2. If the windshield is covered with snow, scrape it off the windshield before using the wipers.
3. If the wiper blades are stuck on the windshield with ice and fail to move, be sure to turn the main key switch to "OFF" and remove the ice off the blades. Then place the main key switch back to "ON".
4. When commercially available cold-season wiper blades are used, make sure their size is the same as or smaller than that of the standard ones.

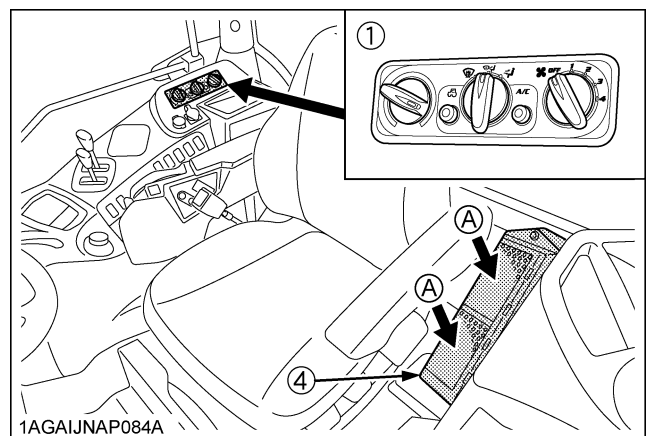
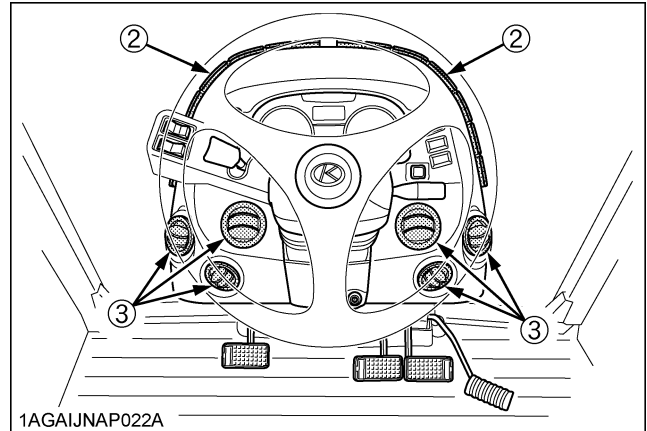
IMPORTANT :

- In cold season, the wiper blades and the wiper motor might get overloaded causing damage. To avoid this, be sure to take the above precautions.

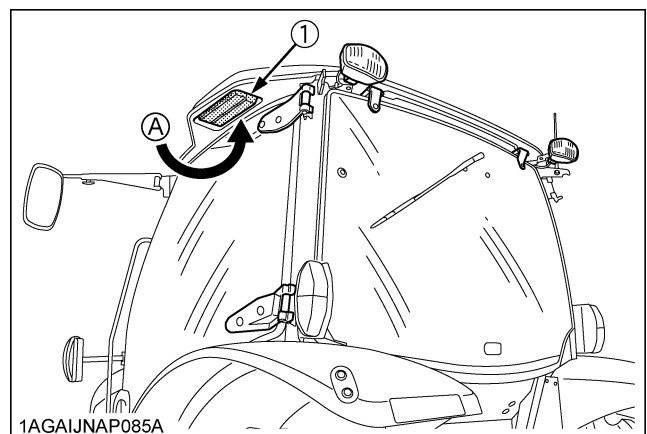
AIR CONDITIONER

■Airflow

Air in the CAB and fresh air introduced into the CAB flow as shown below. Adjust the seven air ports to obtain the desired condition.



(1) Control panel
(2) Defroster air outlets
(3) Dashboard air outlets
(4) Inner air filter
(A) Inner air recirculation



(1) Fresh air filter
(A) "FRESH AIR INLET"

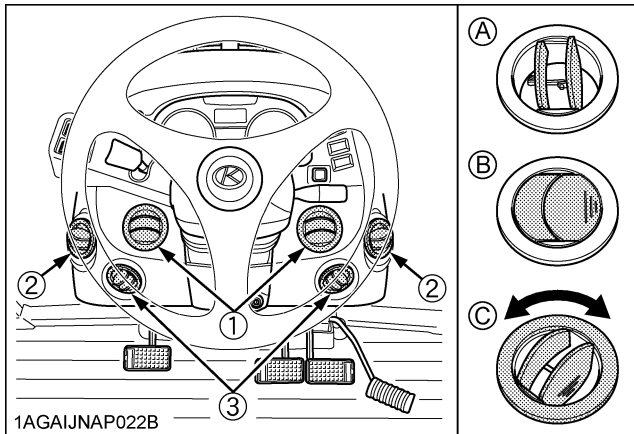
IMPORTANT :

- Do not pour water directly into the fresh air port while washing the vehicle.

■ Air Control Vent

◆ Dashboard air outlet

The dashboard air outlets can be independently adjusted as required.



- | | |
|---------------------------|------------|
| (1) Face area air outlets | (A) "OPEN" |
| (2) Back area air outlets | (B) "SHUT" |
| (3) Feet area air outlets | (C) "TURN" |

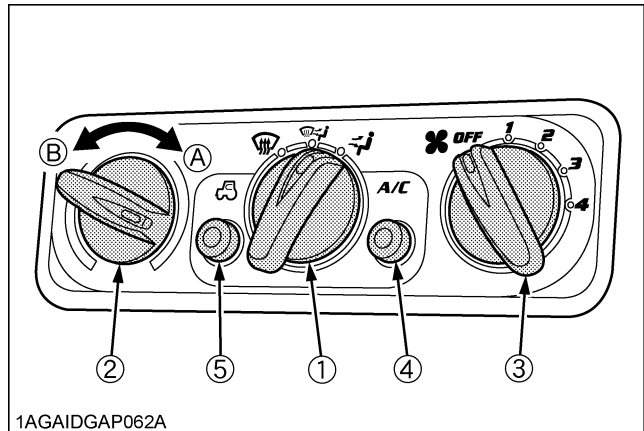


CAUTION

To avoid personal injury;

- Replace the water hoses every two years.
 - Daily inspection
- Have the tractor repaired immediately if any of the following defects are discovered. (Such defects may cause burns or injury. They may also cause engine seizure or other serious failure.)
- Scratches, cracks or swelling in water hoses.
 - Water leakage at water hose joints.
 - Missing or damaged water hose protective wrap or grommets.
 - Loose mounting bolts, damaged brackets.
 - Do not touch the water hoses and the heater with your hand. You may get burned.
 - If the window fails to defrost in extreme conditions or becomes cloudy when dehumidifying the CAB, wipe off moisture with a soft cloth.
 - Do not block all the air outlets of the air conditioner. A problem could occur.

■ Control Panel



- | | |
|---|------------|
| (1) Mode switch | (A) "WARM" |
| (2) Temperature control dial | (B) "COOL" |
| (3) Blower switch | |
| (4) Air conditioner switch with indicator light | |
| (5) Recirculation / fresh air selection switch with indicator light | |

◆ Mode switch

Set the mode switch to the desired position.

- Air is blown from only the dashboard air outlets.
- Air is blown from the dashboard and defroster air outlets.
- Air is blown from only the defroster air outlet.

◆ Temperature Control Dial

Set this dial at the desired position to obtain the optimum air temperature. Turn the dial in the "WARM" direction to obtain warmer air. Turn it in the "COOL" direction to obtain cooler air.

◆ Blower Switch

Air volume can be changed in four steps. At the "4" position, the largest air volume is obtained.

◆ Air Conditioner Switch

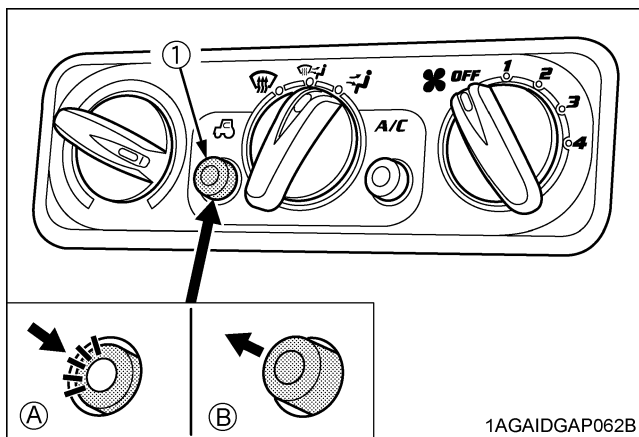
Push this switch to activate the air conditioner. An indicator light will light up when the switch is set to "ON". Push the switch again to turn the air conditioner off, in which case the indicator light will be off.

◆ **Recirculation / fresh air selection switch**

Each time the switch is pressed, the air flow position changes for "RECIRCULATION" or "FRESH AIR". An indicator light will light up when the switch is set to "RECIRCULATION". And the indicator light will be off when the switch is set to "FRESH AIR".

FRESH AIR: Fresh air will flow into the CAB.
(Indicator: OFF) This is helpful when you work in dusty conditions or if the glass windows get foggy.

RECIRCULATION: In-CAB air will be recirculated.
(Indicator: ON) This is useful for cooling or heating the CAB quickly or keeping it extra cool or warm.



(1) Recirculation / fresh air selection switch with indicator light
(A) "RECIRCULATION"
(B) "FRESH AIR"

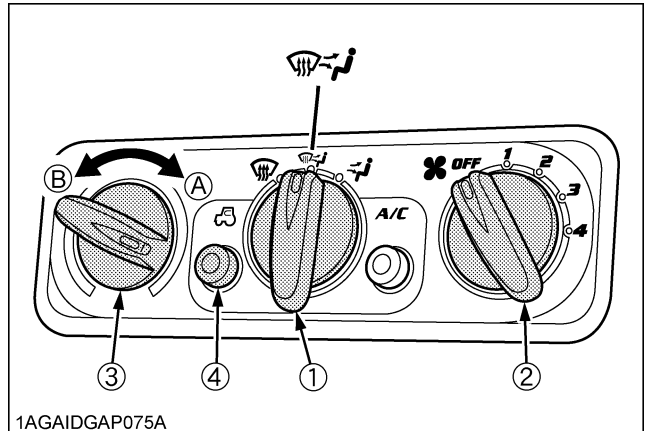
NOTE :

- When heating, do not keep the switch at the "RECIRCULATION" position for a long time. The windshield easily gets foggy.
- While working in a dusty conditions, keep the switch at the "FRESH AIR" position. This increases the pressure in the CAB, which helps prevent dust from coming into the CAB.

■ **Operation**

◆ **Heating**

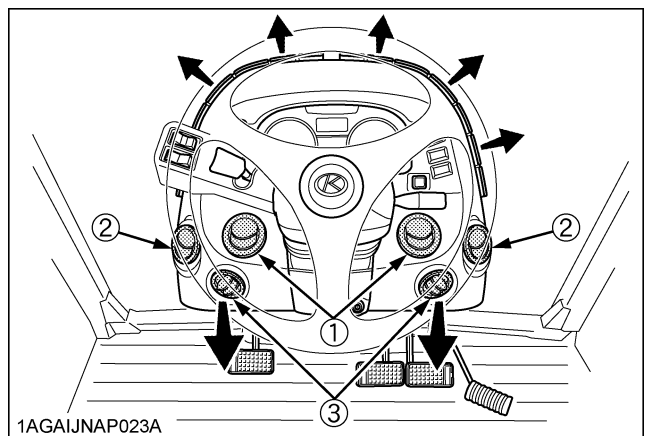
1. Set the mode switch to the position.
2. Set the recirculation / fresh air selection switch to the "FRESH AIR" position. To raise the temperature in the CAB quickly, set this switch to the "RECIRCULATION" position.
3. Adjust the blower (1/2/3/4) switch and the temperature control dial to achieve a comfortable temperature level.



1AGAIDGAP075A

- (1) Mode switch
(2) Blower switch
(3) Temperature control dial
(4) Recirculation / fresh air selection switch with indicator light
- (A) "WARM"
(B) "COOL"

4. Adjust the air volume and air direction from the dashboard air outlets. In general, open Feet area air outlets, and shut Face / Back area air outlets.



1AGAIJNAP023A

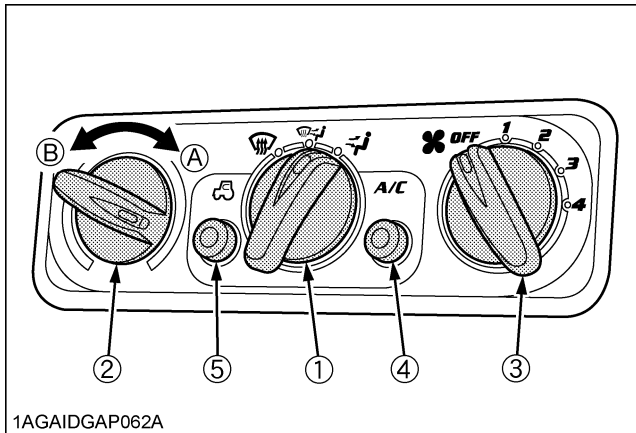
- (1) Face area air outlets
(2) Back area air outlets
(3) Feet area air outlets

◆ **Cooling or dehumidifying-heating**

1. Set the mode switch to the position.
2. Set the recirculation / fresh air selection switch to the "FRESH AIR" position. To fall the temperature in the CAB quickly, set this switch to the "RECIRCULATION" position.
3. Press and turn on the air-conditioner switch with indicator.
4. Turn on the blower (1/2/3/4) switch.
5. Adjust the temperature control dial to the "COOL" or an intermediate position to achieve a comfortable temperature level.

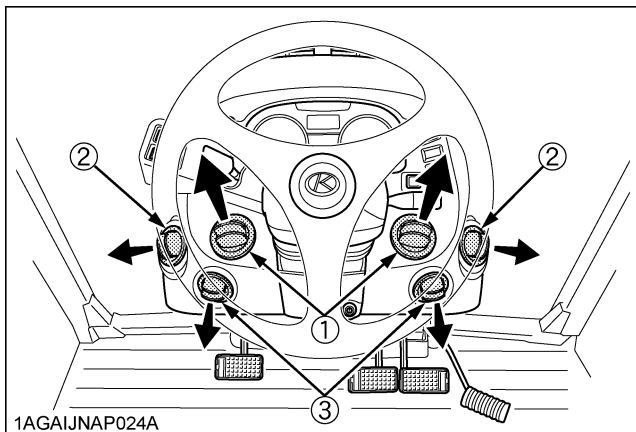
NOTE :

- In summer when the heater is not used, keep the temperature control dial at the max "COOL" (end of counterclockwise) position. Otherwise, hot air will raise the temperature in the CAB.



- (1) Mode switch (A) "WARM"
 (2) Temperature control dial (B) "COOL"
 (3) Blower switch
 (4) Air conditioner switch with indicator light
 (5) Recirculation / fresh air selection switch with indicator light

6. Adjust the air volume and air direction from the dashboard air outlets. In general, the air volume from Face area air outlets is adjusted to increase, and the air volume from Feet / Back area air outlets is adjusted to decrease.

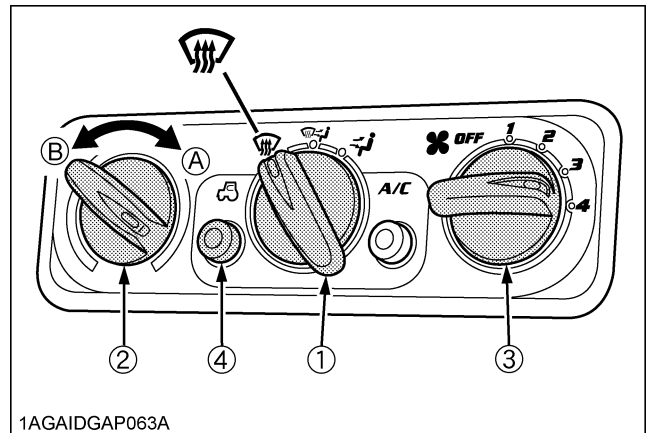


- (1) Face area air outlets
 (2) Back area air outlets
 (3) Feet area air outlets

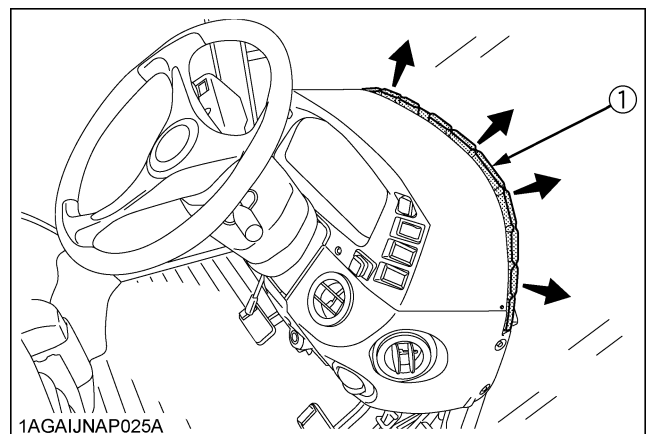
◆ **Defrosting or demisting**

To defrost or demist the windshield, take the following steps.

1. Set the mode switch to the position.
2. Set the recirculation / fresh air selection switch to the "FRESH AIR" position.
3. Set the blower switch and the temperature control dial to the "4" and max "WARM" (end of clockwise) positions, respectively.



- (1) Mode switch (A) "WARM"
 (2) Temperature control dial (B) "COOL"
 (3) Blower switch
 (4) Recirculation / fresh air selection switch with indicator light



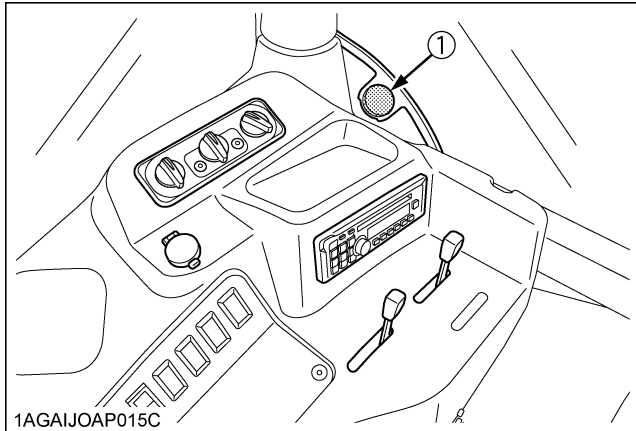
- (1) Defroster air outlet

NOTE :

- If you set the mode switch to position, air will not come out from the dashboard air outlets.

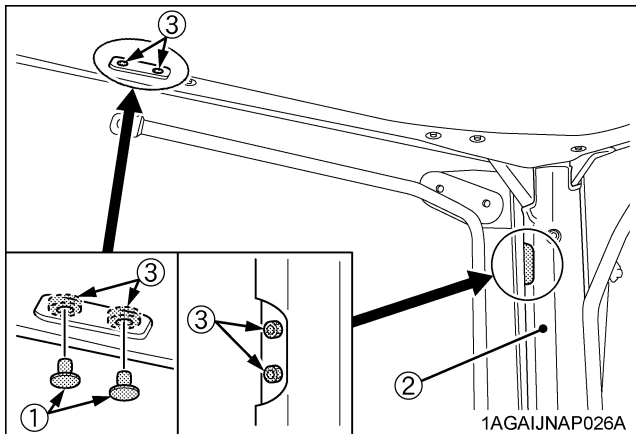
INSTALLING THE IMPLEMENT CONTROL BOX

1. Make a slit into the corner cover. Introduce the implement control cable and hydraulic hose through this slit into the CAB.



(1) Corner cover

2. Remove the plugs in inner roof, and cut off the hatched zone of the rear pillar cover with a utility knife. Attach the control box stay with internal nuts.

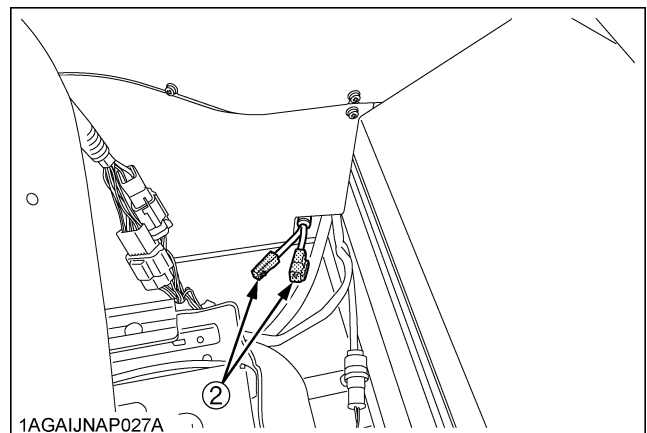
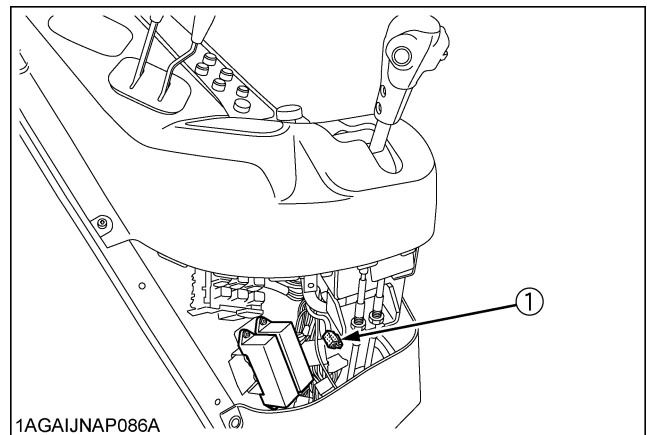


- (1) Plug
- (2) Pillar cover
- (3) M6 nuts

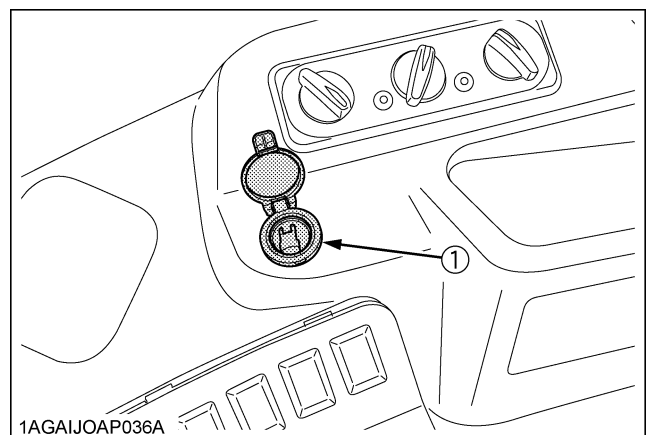
ELECTRICAL OUTLET

■ Electrical Outlet

A electrical outlet is supplied for use with implement.



- (1) Connector for loader electrical outlet (15A)
- (2) Accessory electrical outlet (20A)



- (1) Accessory electrical outlet (15A)

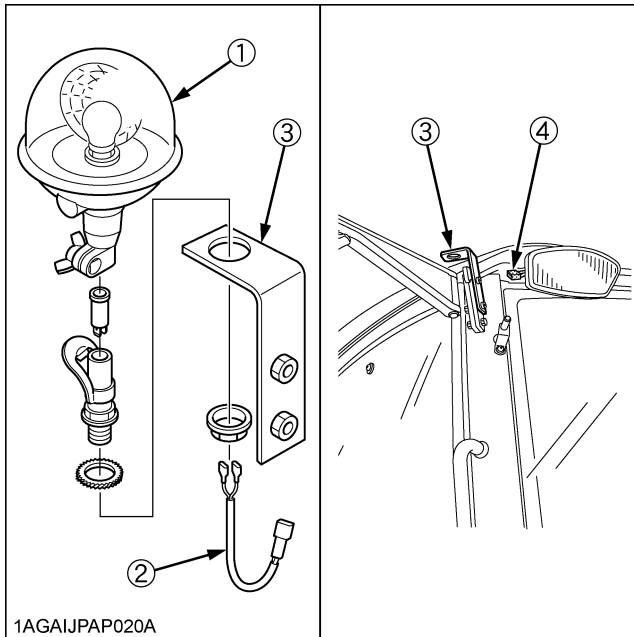
BEACON LIGHT

■ Beacon Light Switch

The beacon light switch with wire harness for beacon light connection is equipped.

Turn on the key switch and press the bottom half of the beacon light switch. Then the beacon light and indicator of switch will be activated.

Press the top half of the switch, and turn off the light and the indicator.



- (1) Beacon light (if equipped)
- (2) Relay harness for beacon light
(MAX. 7 amperes)
- (3) Stay
- (4) Beacon electrical outlet

NOTE :

- The relay harness for beacon light is in the accessories box.
- Pre-assemble the beacon light and relay harness, and connect the relay harness to the connector of beacon electrical outlet.

MAINTENANCE

SERVICE INTERVALS

No.	Items		Indication on hour meter													Interval	Ref. page				
			50	100	150	200	250	300	350	400	450	500	550	600	650				700		
1	Engine start system	Check	○	○	○	○	○	○	○	○	○	○	○	○	○	○	○	○	every 50 Hr	110	
2	Wheel bolt torque	Check	○	○	○	○	○	○	○	○	○	○	○	○	○	○	○	○	every 50 Hr	111	
3	Tie-rod dust cover	Check	○	○	○	○	○	○	○	○	○	○	○	○	○	○	○	○	every 50 Hr	111	*4
4	Battery condition	Check		○		○		○		○		○		○		○		every 100 Hr	116	*5	
5	Greasing			○		○		○		○		○		○		○		every 100 Hr	111		
6	Fan belt [M100GX, M110GX]	Adjust		○		○		○		○		○		○		○		every 100 Hr	114		
7	Brake pedal	Adjust		○		○		○		○		○		○		○		every 100 Hr	115		
8	Parking brake lever	Adjust		○		○		○		○		○		○		○		every 100 Hr	115		
9	Air cleaner element	Primary element	Clean	○		○		○		○		○		○		○		every 100 Hr	113	*1	
		Replace																every 1 year	131	*2	
		Secondary element	Replace																every 1 year	131	
10	Fuel line	Check		○		○		○		○		○		○		○		every 100 Hr	114		
		Replace																	every 2 years	133	*4
11	Toe-in	Adjust				○				○				○				every 200 Hr	120		
12	Fuel tank water	Drain				○				○				○				every 200 Hr	120		
13	Oil cooler line	Check				○				○				○				every 200 Hr	119		
		Replace																	every 2 years	133	*4
14	Power steering oil line	Check				○				○				○				every 200 Hr	119		
		Replace																	every 2 years	133	*4
15	Radiator hose and clamp	Check				○				○				○				every 200 Hr	117		
		Replace																	every 2 years	133	

No.	Items		Indication on hour meter													Interval	Ref. page		
			50	100	150	200	250	300	350	400	450	500	550	600	650			700	
16	Intake air line	Check				○				○				○			every 200 Hr	119	
		Replace															every 2 years	133	*3
17	Hydraulic oil filter	Replace	◎					○						○			every 300 Hr	122	
18	Engine oil	Change	◎							○							every 400 Hr	123	
19	Engine oil filter	Replace	◎							○							every 400 Hr	124	
20	Water separator	Clean								○							every 400 Hr	126	
21	Pre-Fuel filter [M126GX, M135GX]	Clean								○							every 400 Hr	126	
22	Fuel filter [M100GX, M110GX]	Replace								○							every 400 Hr	126	
23	Fan / Air-conditioner belt [M126GX, M135GX]	Adjust	◎							○							every 400 Hr	124	
24	Fuel solenoid pump [M126GX, M135GX]	Clean								○							every 400 Hr	127	
25	Transmission fluid	Change	◎											○			every 600 Hr	128	
26	Front differential case oil	Change												○			every 600 Hr	129	
27	Front axle gear case oil	Change												○			every 600 Hr	129	
28	Front axle pivot	Adjust												○			every 600 Hr	130	
29	King-pin pivot	Adjust												○			every 600 Hr	130	
30	Fuel filter [M126GX, M135GX]	Replace															every 800 Hr	130	
31	Engine valve clearance	Adjust															every 800 Hr	130	*4
32	Fuel injector nozzle tip	Clean															every 1500 Hr	130	*4
33	EGR cooler	Check Clean															every 1500 Hr	130	*4
34	Accumulator [Front suspension type]	Check															every 1500 Hr	130	*4
35	Turbo charger	Check															every 3000 Hr	130	*4
36	Supply pump	Check															every 3000 Hr	130	*4
37	EGR system	Check Clean															every 3000 Hr	131	*4
38	DPF muffler	Clean															every 3000 Hr	131	*4
39	Intake air heater [M100GX, M110GX]	Check															every 3000 Hr	131	*4

100 MAINTENANCE

No.	Items		Indication on hour meter													Interval	Ref. page		
			50	100	150	200	250	300	350	400	450	500	550	600	650				700
40	Exhaust manifold	Check															every 1 year	131	*4
41	DPF differential pressure sensor pipe	Check															every 1 year	131	*4
42	EGR pipe	Check															every 1 year	131	*4
43	Cooling system	Flush															every 2 years	131	
44	Coolant	Change															every 2 years	131	
45	DPF differential pressure sensor hose	Replace															every 2 years	133	*4
46	Boost sensor hose	Replace															every 2 years	133	*4
47	Parking brake cable	Replace															every 2 years	133	*4
48	Lift cylinder hose	Replace															every 2 years	134	*4
49	Brake hose	Replace															every 2 years	133	*4
50	Clutch hose	Replace															every 2 years	133	*4
51	Differential lock hose	Replace															every 2 years	133	*4
52	Master cylinder kit	Replace															every 2 years	134	*4
53	Equalizer kit	Replace															every 2 years	134	*4
54	Brake seal 1 and 2	Replace															every 2 years	134	*4
55	Front suspension hose [Front suspension type]	Replace															every 2 years	134	*4
56	Fuel system	Bleed															Service as required	134	
57	Brake system	Bleed															Service as required	135	*4
58	Clutch housing water	Drain															Service as required	135	
59	Fuse	Replace															Service as required	135	
60	Light bulb	Replace															Service as required	138	

No.	Items		Indication on hour meter													Interval	Ref. page		
			50	100	150	200	250	300	350	400	450	500	550	600	650				700
1	Inner air filter	Clean				○				○				○			every 200 Hr	121	
2	Fresh air filter	Clean				○				○				○			every 200 Hr	121	
3	Air conditioner drive belt [M100GX, M110GX]	Adjust				○				○				○			every 200 Hr	122	
4	Air conditioner pipes and hoses	Check															every 1 year	131	
		Replace															every 2 years	134	*4
5	CAB isolation cushion	Check															every 1 year	131	
6	Washer liquid	Add															Service as required	139	
7	Refrigerant (gas)	Check															Service as required	139	

IMPORTANT :

- The jobs indicated by ○ must be done after the first 50 hours of operation.
- *1 Air cleaner should be cleaned more often in dusty conditions than in normal conditions.
- *2 Every year or every 6 times of cleaning.
- *3 Replace only if necessary.
- *4 Consult your local KUBOTA Dealer for this service.
- *5 When the battery is used for less than 100 hours per year, check the battery condition by reading the indicator annually.

LUBRICANTS, FUEL AND COOLANT

No.	Locations	Capacities				Lubricants	
		M100GX	M110GX	M126GX	M135GX		
1	Fuel	190 L				No.2-D S15 diesel fuel No.1-D S15 diesel fuel if temperature is below -10°C	
2	Coolant	9.6 L (Recovery tank: 1.1 L)		14.6 L (Recovery tank: 1.5 L)		Fresh clean soft water with anti-freeze	
3	Washer liquid	2 L				Automobile washer liquid	
4	Engine crankcase (with filter)	10.5 L		14.6 L		● Engine oil: API Service Classification	CJ-4 [DPF type engine]
						Above 25 °C	SAE30, SAE10W-30 or 15W-40
						0 to 25 °C	SAE20, SAE10W-30 or 15W-40
						Below 0 °C	SAE10W, SAE10W-30 or 15W-40
5	Transmission case	65 L				● KUBOTA SUPER UDT2 fluid*	
6	Front differential case oil	7 L		13 L		● KUBOTA SUPER UDT2 fluid* or SAE 80 - SAE 90 gear oil	
7	Front axle gear case oil	3.5 L		4.5 L			
8	Greasing	No. of greasing points				Capacity	Type of grease
	Top link	2				Until grease overflows.	Multipurpose Grease NLGI-2 OR NLGI-1(GC-LB)
	Lift rod	2					
	Front axle gear case support	2					
	Front axle support	2					
	Hydraulic lift cylinder pin	4					
	Hydraulic arm axle	1					
	Battery terminal	2				A small amount	

[Front suspension type]

No.	Locations	No. of greasing points		Capacity	Type of grease
8	Greasing	No. of greasing points		Until grease overflows.	Multipurpose Grease NLGI-2 OR NLGI-1(GC-LB)
	Suspension cylinder	2			
	Suspension arm	2			
	Universal joint	4			

NOTE :

The product name of KUBOTA genuine UDT fluid may be different from that in the Operator's Manual depending on countries or territories. Consult your local KUBOTA Dealer for further details.

NOTE :

◆ **Engine Oil:**

- Oil used in the engine should have an American Petroleum Institute (API) service classification and Proper SAE Engine Oil according to the ambient temperatures as shown above:
- Refer to the following table for the suitable API classification engine oil according to the engine type (with DPF (Diesel Particulate Filter) type engines) and the fuel.

Fuel used	Engine oil classification (API classification)
	Oil class of engines with DPF
Ultra Low Sulfur Fuel [<0.0015% (15 ppm)]	CJ-4

◆ **Fuel:**

- Use the ultra low sulfur diesel fuel only [below 0.0015% (15 ppm)] for these engines.
- Cetane number of 45 minimum. Cetane number greater than 50 is preferred, especially for temperatures below -20°C (-4 °F) or elevations above 1500 m (5000 ft).
- Diesel fuels specified to EN 590 or ASTM D975 are recommended.
- No.2-D is a distillate fuel of lower volatility for engines in industrial and heavy mobile service. (SAE J313 JUN87)

◆ **Transmission Oil:**

*KUBOTA Super UDT-2: For an enhanced ownership experience, we highly recommend Super UDT-2 to be used instead of standard hydraulic/transmission fluid.

Super UDT-2 is a proprietary KUBOTA formulation that delivers superior performance and protection in all operating conditions.

Regular UDT is also permitted for use in this machine.

- Indicated capacities of water and oil are manufacturer's estimate.

PERIODIC SERVICE



CAUTION

To avoid personal injury:

- Do not work under any hydraulically supported devices. They can settle, suddenly leak down, or be accidentally lowered. If necessary to work under tractor or any machine elements for servicing or adjustment, securely support them with stands or suitable blocking beforehand.

HOW TO OPEN THE HOOD



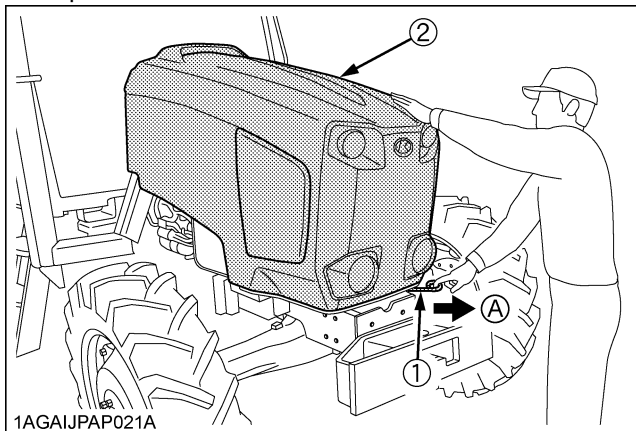
CAUTION

To avoid personal injury from contact with moving parts;

- Never open the hood or engine side cover while the engine is running.
- Do not touch muffler or exhaust pipes while they are hot; Severe burns could result.
- Hold the hood with other hand while unlocking release lever.

■ Hood

To open the hood, hold the hood and pull the release lever and open the hood.



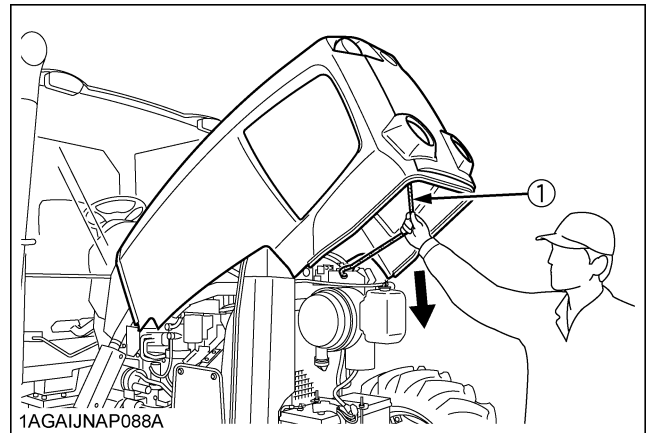
(1) Release lever

(A) "PULL"

(2) Hood

NOTE :

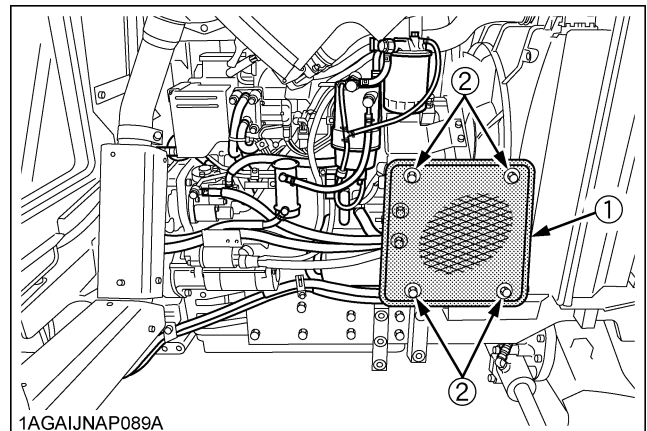
- To close the hood, pull down on the strap and push the hood into position using both hands.



(1) Strap

■ Side Cover

Remove the bolts as shown below.



(1) Side cover

(2) Bolt

DAILY CHECK

For your own safety and maximum service life of the machine, make a thorough daily inspection before operating the machine to start the engine.



CAUTION

To avoid personal injury:

Take the following precautions when checking the tractor.

- Park the machine on firm and level ground.
- Set the parking brake.
- Lower the implement to the ground.
- All residual pressure of the hydraulic system released.
- Stop the engine and remove the key.

- Lower the front suspension to the lowest position. [Front suspension type]

■ Walk Around Inspection

Look around and under the tractor for such items as loose bolts, trash build-up, oil or coolant leaks, broken or worn parts.

■ Checking and Refueling

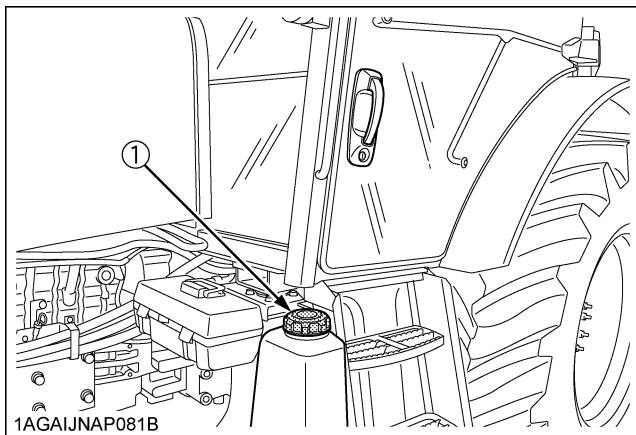


CAUTION

To avoid personal injury:

- Do not smoke while refueling.
- Be sure to stop the engine before refueling.

1. Check the amount of fuel by fuel gauge.
2. When the fuel warning indicator lights up, it is time to add fuel.



1AGAIJNAP081B

(1) Fuel tank cap

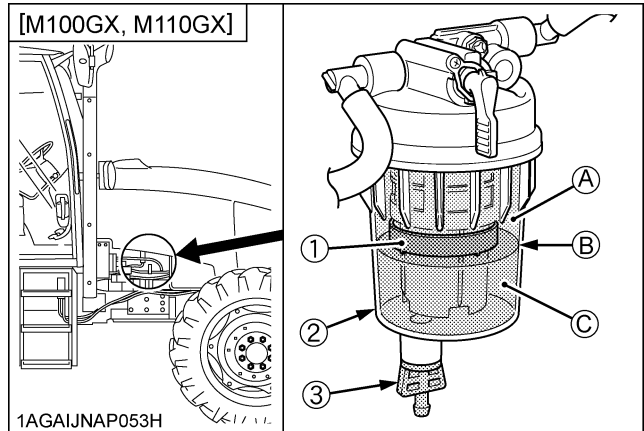
Fuel tank capacity	190 L
--------------------	-------

IMPORTANT :

- Be sure to use Ultra Low Sulfur Fuel (S15).
- Do not permit dirt or trash to get into the fuel system.
- Be careful not to let the fuel tank become empty, otherwise air will enter the fuel system, necessitating bleeding before next engine start.
- If the engine runs out of fuel and stalls, the engine components may be damaged.
- Be careful not to spill during refueling. If a spill should occur, wipe it off at once, or it may cause a fire.
- To prevent condensation (water) accumulation in the fuel tank, fill the tank before parking overnight.

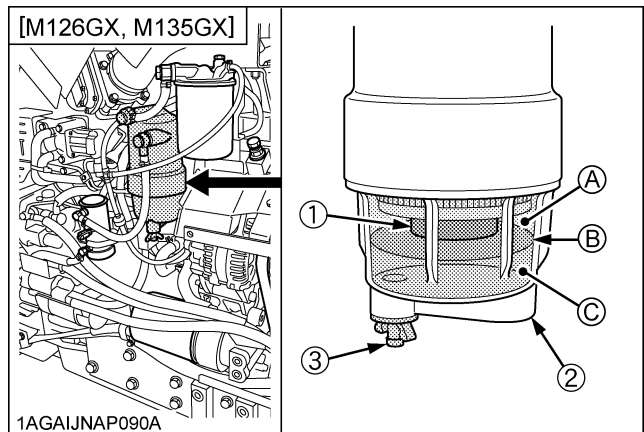
■ Checking Water Separator

1. As water is collected in the water separator, the red float is raised.
2. When the red float has reached the upper limit, loosen the drain plug by several turns. Allow water to drain. When no more water comes out and fuel starts to flow out, retighten the drain plug.
3. Bleed the fuel system.
(See "SERVICE AS REQUIRED" in "PERIODIC SERVICE" section.)



[M100GX, M110GX]

1AGAIJNAP053H



[M126GX, M135GX]

1AGAIJNAP090A

- (1) Red float
(2) Cup
(3) Drain plug

- (A) "FUEL"
(B) "UPPER LIMIT"
(C) "WATER"

IMPORTANT :

- If water is drawn through to the fuel pump, extensive damage will occur.

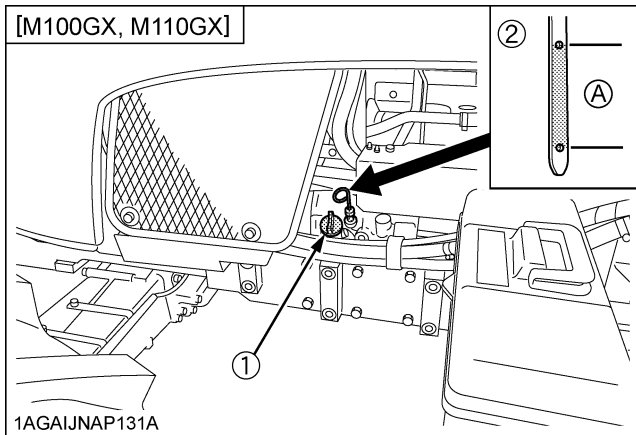
■ Checking Engine Oil Level

CAUTION

To avoid personal injury:

- Be sure to stop the engine before checking the oil level.

1. Park the machine on a flat surface.
2. Check engine oil before starting the engine or 5 minutes or more after the engine has stopped.
3. To check the oil level, draw out the dipstick, wipe it clean, replace it, and draw it out again. Check to see that the oil level lies between the two notches. If the level is too low, add new oil to the prescribed level at the oil inlet.
(See "LUBRICANTS" in "MAINTENANCE" section.)

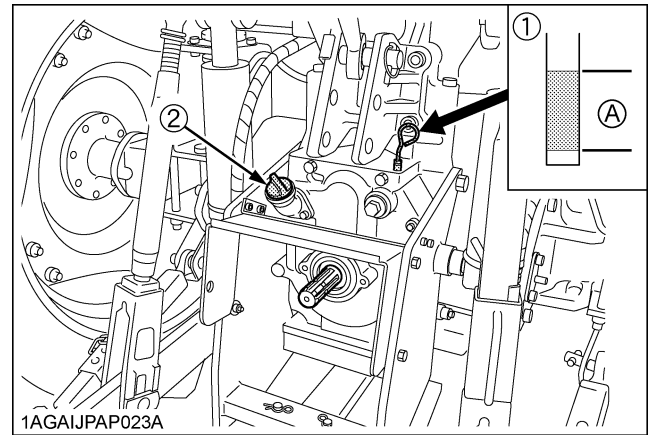


NOTE :

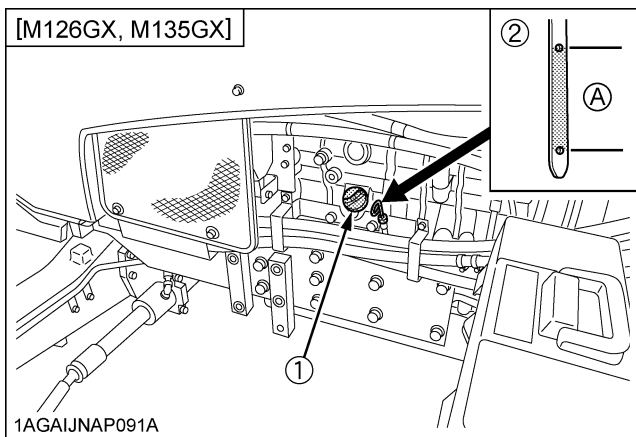
- At times a small amount of fuel, which is used to regenerate the DPF, may get mixed with the engine oil and the engine oil may increase in volume.

■ Checking Transmission Fluid Level

1. Park the machine on a flat surface, lower the implement and shut off engine.
2. To check the oil level, draw out the dipstick, wipe it clean, replace it, and draw it out again. Check to see that the oil level lies between the two notches. If the level is too low, add new oil to the prescribed level at the oil inlet.
(See "LUBRICANTS" in "MAINTENANCE" section.)



(1) Dipstick (A) Oil level is acceptable within this range.
(2) Oil inlet



(1) Oil inlet (A) Oil level is acceptable within this range.
(2) Dipstick

IMPORTANT :

- If oil level is low, do not run engine.

■ Checking Coolant Level

CAUTION

To avoid personal injury:

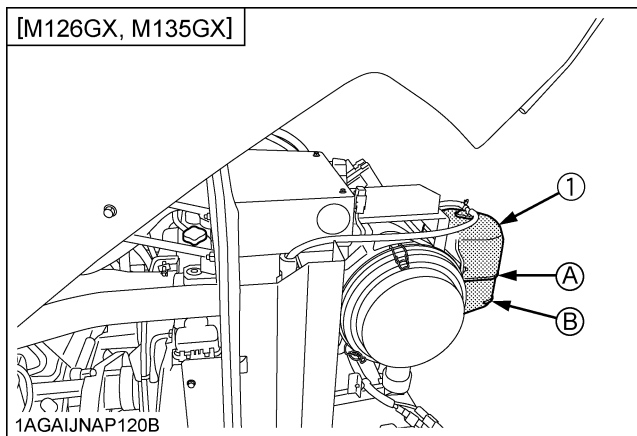
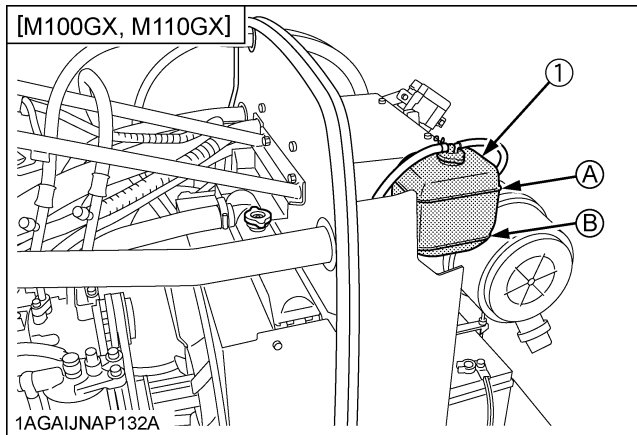
- Do not remove radiator cap while coolant is hot. When cool, slowly rotate cap to the first stop and allow sufficient time for excess pressure to escape before removing the cap completely.

1. Check to see that the coolant level is between the "FULL" and "LOW" marks of recovery tank.
2. When the coolant level drops due to evaporation, add soft water only up to the full level.
In case of leakage, add anti-freeze and soft water in the specified mixing ratio up to the full level.
(See "Flushing Cooling System and Changing Coolant" in "EVERY 2 YEARS" in "PERIODIC SERVICE" section.)

IMPORTANT :

- When using an oil of different maker or viscosity from the previous one, remove all of the old oil. Never mix two different types of oil.
- If oil level is low, do not run engine.

- When the coolant level is lower than "LOW" mark of recovery tank, remove the radiator cap and check to see that the coolant level is just below the port. If level is low, add coolant.



(1) Recovery tank

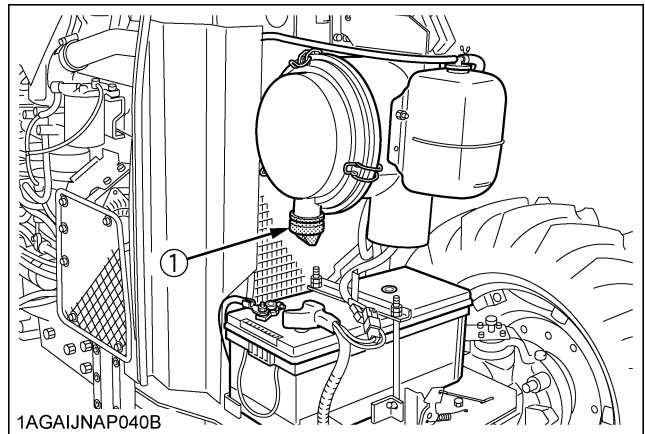
(A) "FULL"
(B) "LOW"

IMPORTANT :

- If the radiator cap has to be removed, follow the caution above and securely retighten the cap.
- Use clean, fresh soft water and anti-freeze to fill the radiator.
- If coolant should leak, consult your local KUBOTA Dealer.

■ Cleaning Evacuator Valve

Open the evacuator valve to get rid of large particles of dust and dirt.



(1) Evacuator valve

■ Cleaning Grill, Radiator and Screen

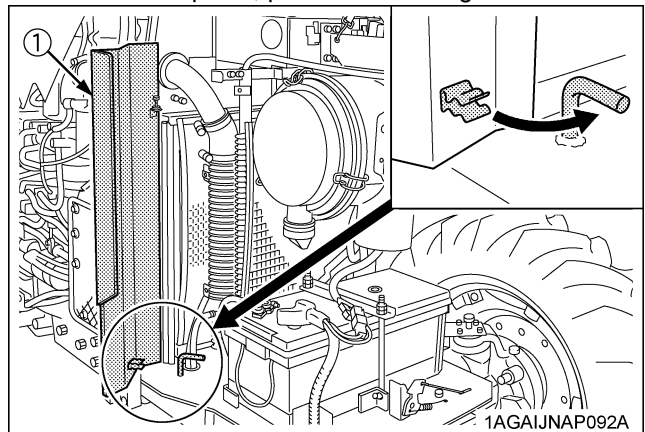
! CAUTION

To avoid personal injury:

- Be sure to stop the engine before removing the screen.
- The condenser and receiver become hot while the air conditioner is running. Before checking or cleaning them, wait long enough until they cool down.

◆ Opening the panel (RH)

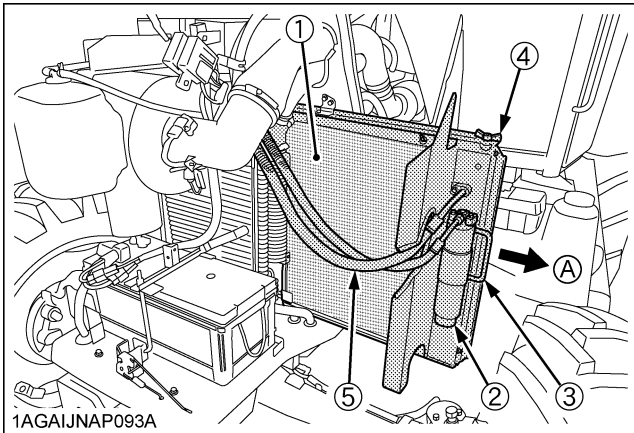
- To open the panel, pull its front outward.
- To close the panel, push it inward to get locked.



(1) Panel (RH)

◆ **Sliding the air conditioner condenser**

1. Loosen the wing nut.
2. Hold the handle, slide the air conditioner condenser assembly toward yourself.



- (1) Condenser
- (2) Receiver
- (3) Handle
- (4) Wing nut
- (5) Air conditioner hose

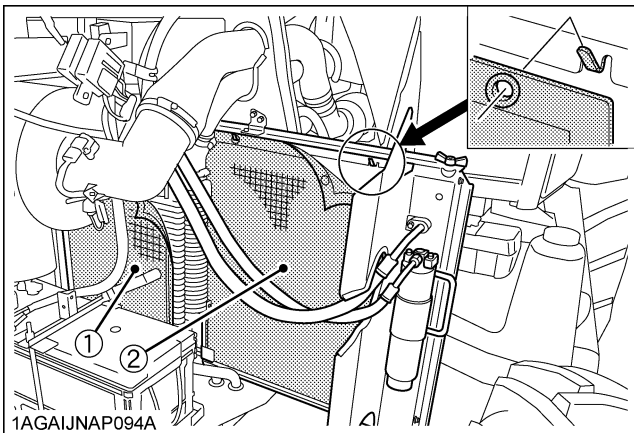
(A) "PULL"

IMPORTANT :

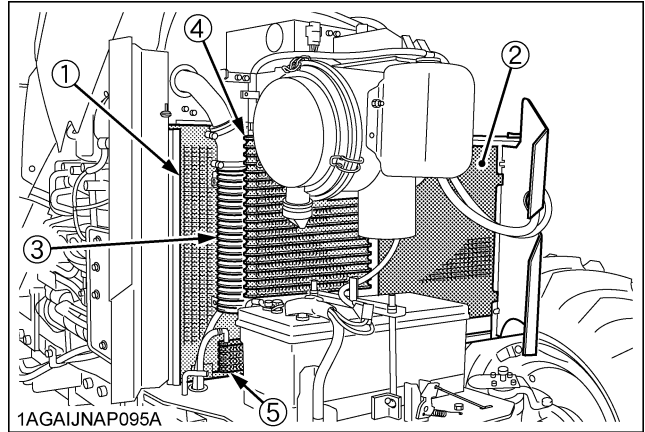
- Do not hold the air conditioner receiver or the air conditioner pipes when sliding out the condenser for cleaning.

◆ **Cleaning**

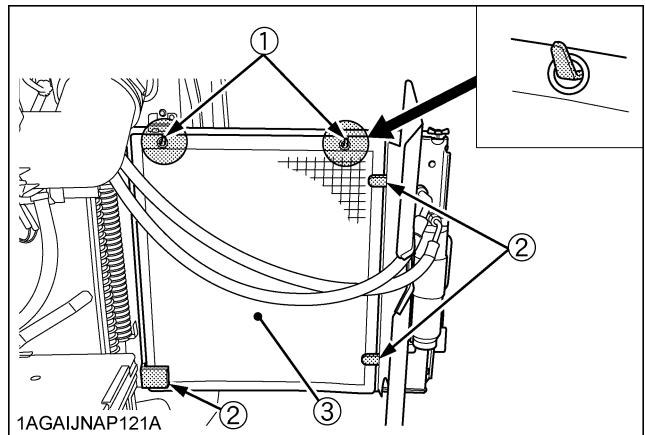
1. Check front grill to be sure it is clean from debris.
2. Detach the screen and remove all foreign materials.
3. Check radiator, air conditioner condenser, intercooler, oil cooler and fuel cooler to be sure they are clean from debris.



- (1) Screen
- (2) Screen



- (1) Radiator
- (2) Air conditioner condenser
- (3) Intercooler
- (4) Oil cooler
- (5) Fuel cooler



- (1) Hook
- (2) Screen clammer
- (3) Screen

IMPORTANT :

- Grill and screen must be clean from debris to prevent engine from overheating and to allow good air intake for air cleaner.

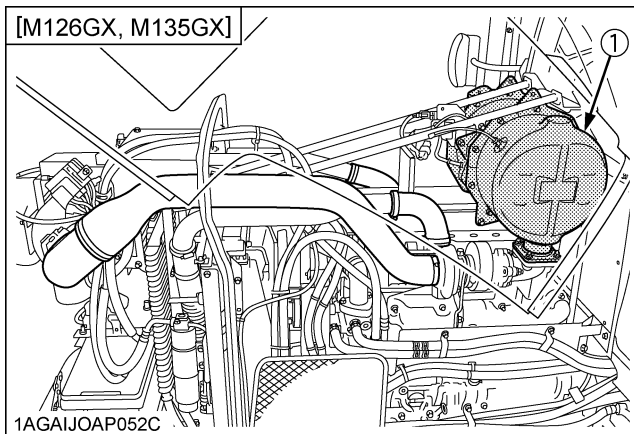
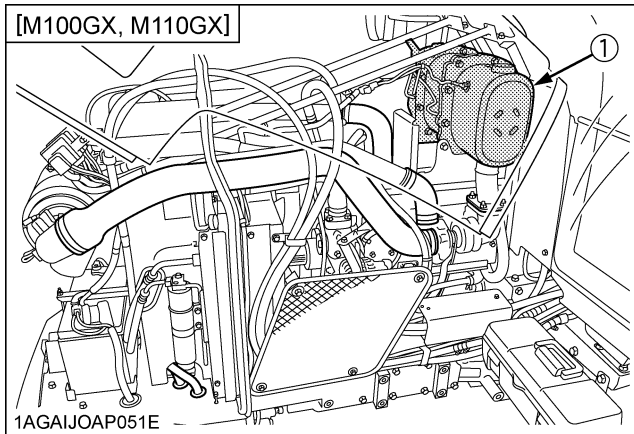
■Checking DPF Muffler

CAUTION

To avoid personal injury:

- Before checking or cleaning the DPF muffler, stop the engine and wait long enough until it is cooled down.

Check the DPF muffler and its surroundings for build-up of anything flammable. Otherwise a fire may result.



(1) DPF muffler

■Checking Brake Pedal

WARNING

To avoid personal injury:

- Be sure brake pedals have equal adjustment when using locked together. Incorrect or unequal brake pedal adjustment can cause the tractor to swerve or roll-over.

1. Inspect the brake pedals for free travel, and smooth operation.
2. Adjust if incorrect measurement is found: (See "Adjusting Brake Pedal" in "EVERY 100 HOURS" in "PERIODIC SERVICE" section.)

■Checking Gauges, Meter and Easy Checker(TM)

1. Inspect the instrument panel for broken gauge(s), meter(s) and Easy Checker(TM).
2. Replace if broken.

■Checking Head Light, Turn Signal / Hazard Light etc.

1. Inspect the lights for broken bulbs and lenses.
2. Replace if broken.

■Checking Seat Belt

1. Always check condition of seat belt attaching hardware before operating tractor.
2. Replace if damaged.

■Checking Movable Parts

If any of the movable parts, such as levers and pedals, is not smoothly moved because of rust or anything sticky, do not attempt to force it into motion.

In the above case, remove the rust or the sticky thing, and apply oil or grease on the relevant spot.

Otherwise, the machine may get damaged.

EVERY 50 HOURS

■ Checking Engine Start System



CAUTION

To avoid personal injury:

- Do not allow anyone near the tractor while testing.
- If the tractor does not pass the test, do not operate the tractor.

◆ Preparation before testing.

1. Place all control levers in the "NEUTRAL" position.
2. Set the parking brake and stop the engine.

◆ Test: Switch for the Power shift / Range shift lever.

1. Follow the instruction of "PARKING THE TRACTOR". (See "PARKING THE TRACTOR" in "SAFE OPERATION" section.)
2. Sit on the operator's seat.
3. Shift the Power shift / Range shift lever to the desired position.
4. Depress the clutch pedal fully.
5. Disengage the PTO clutch control switch or lever.
6. Turn the key to "START" position.
7. The engine must not crank.
8. If it cranks, consult your local KUBOTA Dealer for this service.

◆ Test: Switch for the PTO clutch control switch or lever.

1. Follow the instruction of "PARKING THE TRACTOR". (See "PARKING THE TRACTOR" in "SAFE OPERATION" section.)
2. Sit on the operator's seat.
3. Engage the PTO clutch control switch or lever.
4. Depress the clutch pedal fully.
5. Shift the Power shift / Range shift lever to the neutral position.
6. Turn the key to "START" position.
7. The engine must not crank.
8. If it cranks, consult your local KUBOTA Dealer for this service.

◆ Test: Checking Operator Presence Control (O.P.C.) System.

1. Follow the instruction of "PARKING THE TRACTOR". (See "PARKING THE TRACTOR" in "SAFE OPERATION" section.)
2. Sit on the operator's seat.
3. Make sure the PTO drive shaft is disconnected from any attached implement.
4. Start the engine.
5. Engage the PTO clutch control switch or lever. The PTO should begin to rotate. Disengage the PTO clutch control switch or lever.
6. While lifting yourself from the seat, engage the PTO clutch control switch or lever.

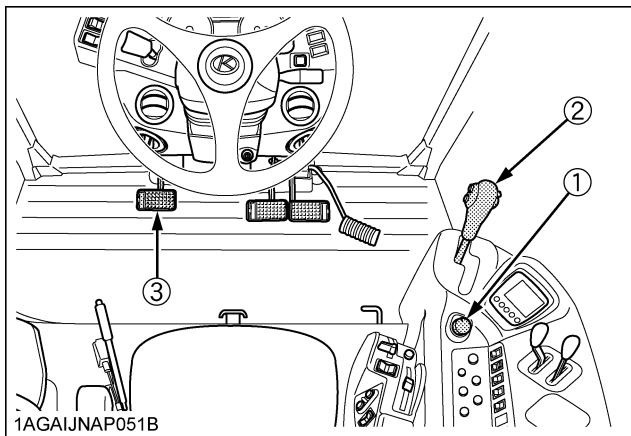
- (1) The PTO should begin to rotate and a buzzer should sound.
 - (2) Disengage the PTO clutch control switch or lever.
 - (3) If the buzzer does not sound, shut off the engine and consult your local KUBOTA Dealer for immediate servicing of the PTO OPC.
7. If the PTO OPC is operating properly, shut off the engine, and reconnect the implement drive shaft to the PTO. Restart the engine per the available instructions.



WARNING

To avoid serious injury or death:

- Before checking the PTO OPC, make sure that the PTO drive shaft should be disconnected from the tractor.
- If the buzzer does not sound during the PTO OPC check procedure, shut off engine and consult your local KUBOTA Dealer for immediate servicing of the PTO OPC.
- The unit should not be operated until servicing is completed.



- (1) PTO clutch control switch
 (2) Power shift / Range shift lever
 (3) Clutch pedal

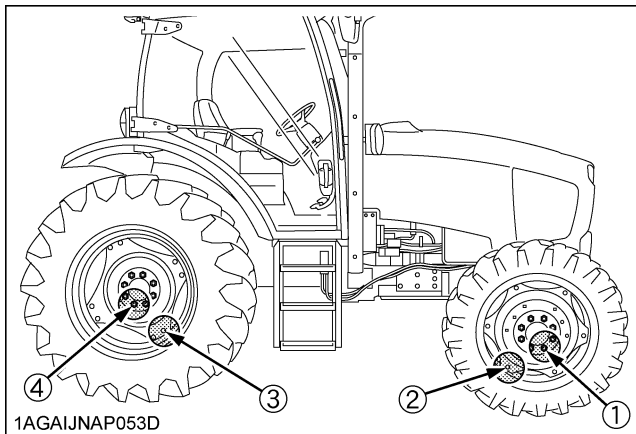
■Checking Wheel Bolt Torque

CAUTION

To avoid personal injury:

- Never operate tractor with a loose rim, wheel, or axle.
- Any time bolts and nuts are loosened, retighten to specified torque.
- Check all bolts and nuts frequently and keep them tight.

Check wheel bolts and nuts regularly especially when new. If they are loose, tighten them as follows.

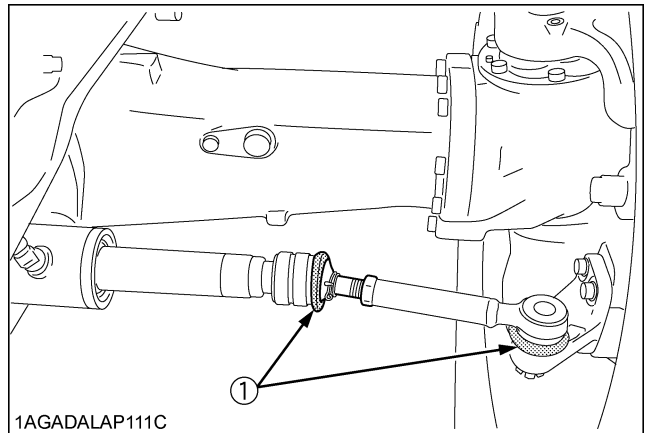


N-m (kgf-m)

(1)	(2)	(3)	(4)
260 to 304 (26.5 to 31.0)		Cast iron disk 305 to 325 (31.1 to 33.2)	343 to 401 (35.0 to 41.0)

■Checking Tie-rod Dust Cover

1. Check to see that dust covers are not damaged.
2. If dust covers are damaged, consult local KUBOTA Dealer for this service.



(1) Dust cover

IMPORTANT :

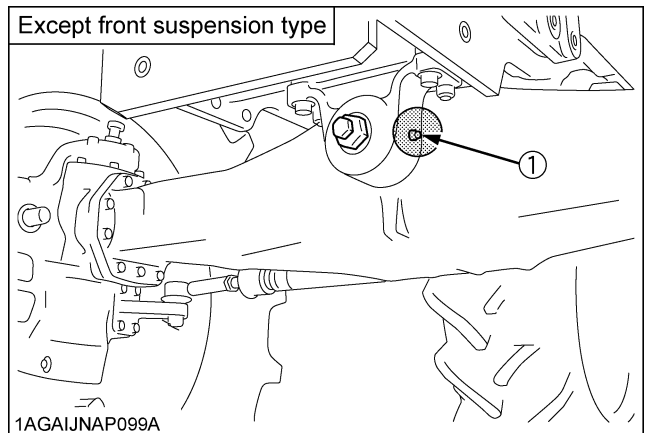
- If dust covers are cracked, water and dust invade into tie-rod and it will be early wear.

EVERY 100 HOURS

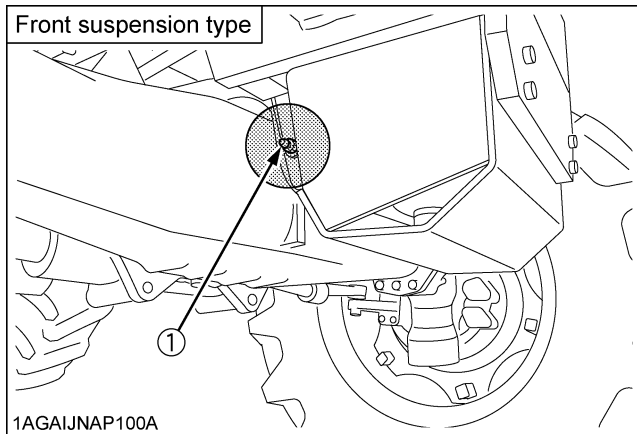
■Lubricating Grease Fittings

Apply a small amount of multipurpose grease to the following points every 100 hours:

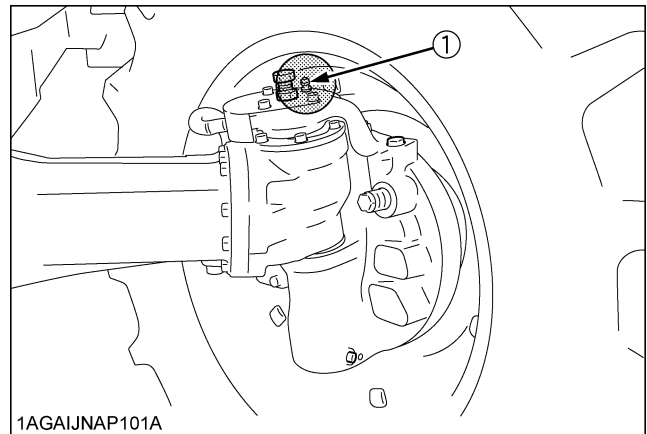
If you operated the machine in extremely wet and muddy conditions, lubricate grease fittings more often.



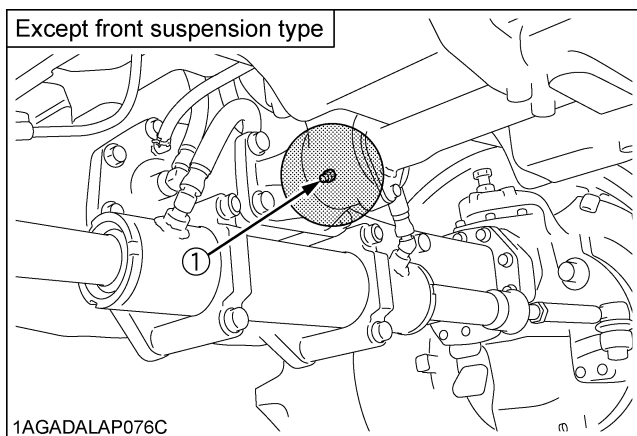
(1) Grease fitting (Front axle support)



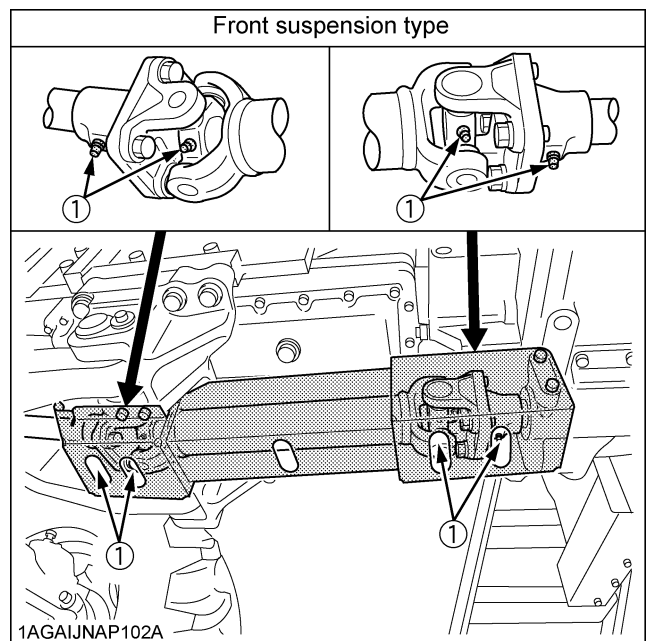
(1) Grease fitting (Front axle support)



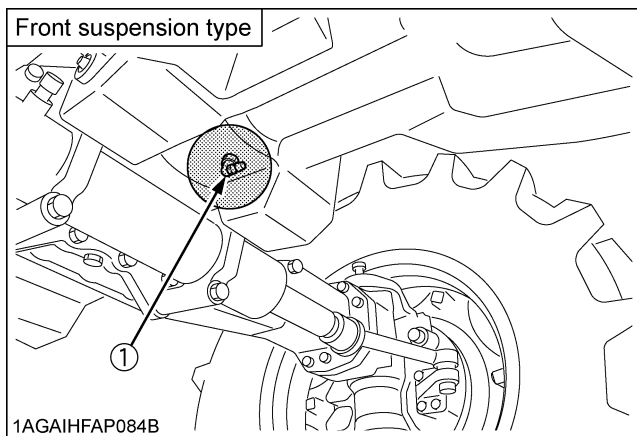
(1) Grease fitting (Front axle gear case support) [RH, LH]



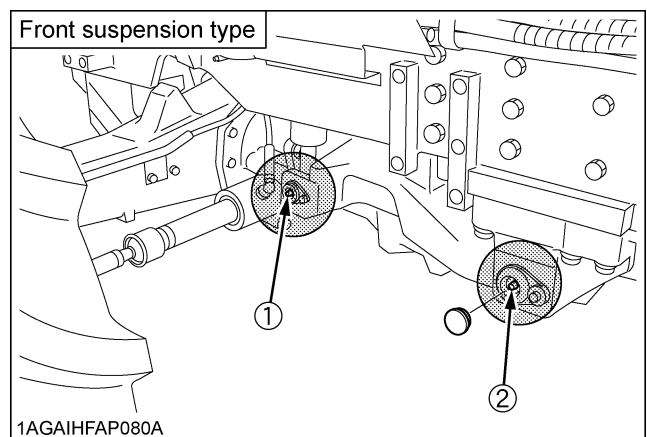
(1) Grease fitting (Front axle support)



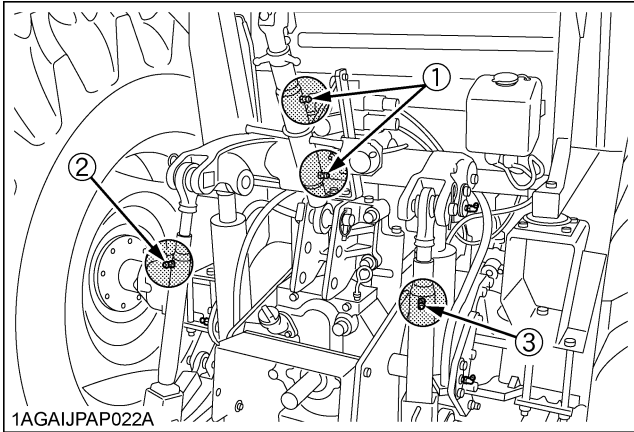
(1) Grease fitting (Universal joint)



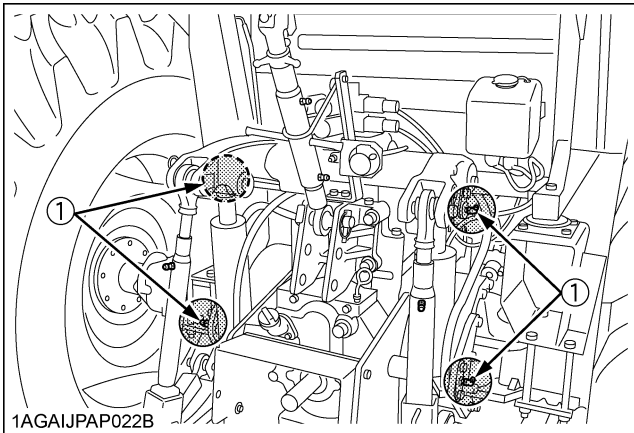
(1) Grease fitting (Front axle support)



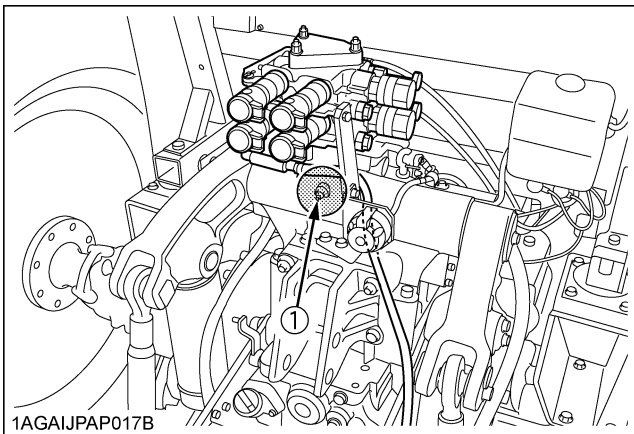
(1) Grease fitting (Suspension cylinder) [RH, LH]
 (2) Grease fitting (Suspension arm) [RH, LH]



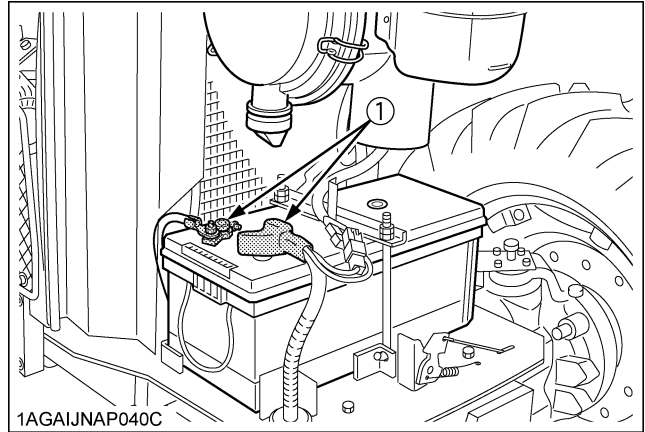
- (1) Grease fitting (Top link)
- (2) Grease fitting (Lifting rod) [LH]
- (3) Grease fitting (Lifting rod) [RH]



- (1) Grease fitting (Hydraulic lift cylinders pin)



- (1) Grease fitting (Hydraulic arm axle)



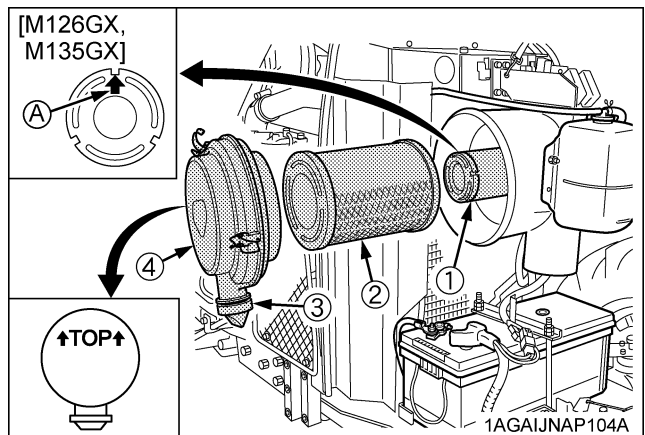
- (1) Battery terminals

■ Cleaning Air Cleaner Primary Element

1. Remove the air cleaner cover and primary element.
2. Clean the primary element:
 - (1) When dry dust adheres to the element, blow compressed air from the inside, turning the element. Pressure of compressed air must be under 205 kPa (2.1 kgf/cm², 30 psi).
 - (2) When carbon or oil adheres to the element, soak the element in detergent for 15 minutes then wash it several times in water, rinse with clean water and dry it naturally. After element is fully dried, inspect inside of the element with a light and check if it is damaged or not.
3. Replace air cleaner primary element:
Once yearly or after every sixth cleaning, whichever comes first.

NOTE :

- Check to see if the evacuator valve is blocked with dust.



- (1) Secondary (safety) element
- (2) Primary element
- (3) Evacuator valve
- (4) Cover
- (A) "ARROW"

IMPORTANT :

- The air cleaner uses a dry element, never apply oil.
- Do not run the engine with filter element removed.
- Be sure to refit the cover with the arrow ↑ (on the rear of cover) upright. If the cover is improperly fitted, evacuator valve will not function and dust will adhere to the element.
- Do not touch the secondary element except in cases where replacing is required.
(See "Replacing Air Cleaner Secondary Element" in "EVERY 1 YEAR" in "PERIODIC SERVICE" section.)

● **[M126GX, M135GX]**

Be sure to refit the secondary element with the arrow ↑ upright.

◆ **Evacuator Valve**

Open the evacuator valve once a week under ordinary conditions - or daily when used in a dusty place - to get rid of large particles of dust and dirt.

■ Adjusting Fan Belt Tension

[M100GX, M110GX]



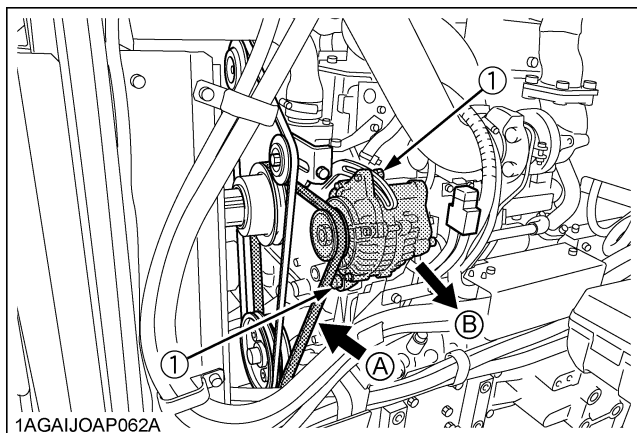
CAUTION

To avoid personal injury:

- Be sure to stop the engine before checking belt tension.

Proper fan belt tension	A deflection of between 7 to 9 mm when the belt is pressed in the middle of the span.
-------------------------	---

1. Stop the engine and remove the key.
2. Apply moderate thumb pressure to belt between pulleys.
3. If tension is incorrect, loosen the alternator mounting bolts and, using a lever placed between the alternator and the engine block, pull the alternator out until the deflection of the belt falls within acceptable limits.
4. Replace fan belt if it is damaged.



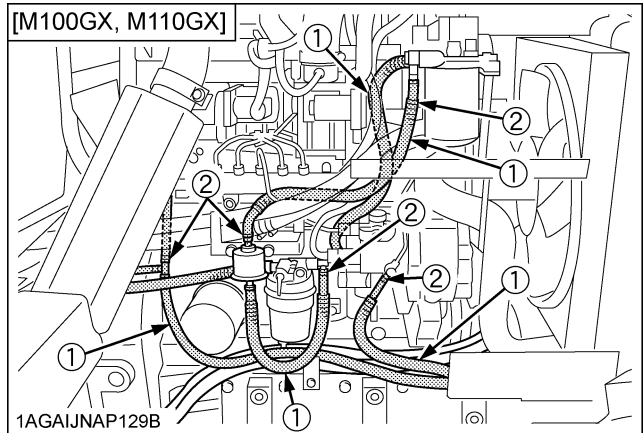
(1) Bolt

(A) Check the belt tension

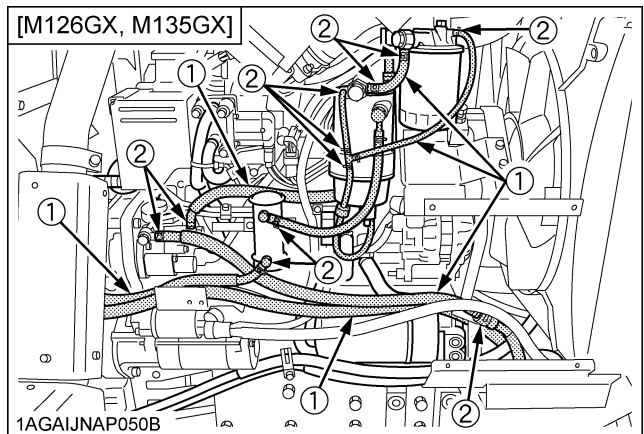
(B) To tighten

■ Checking Fuel Line

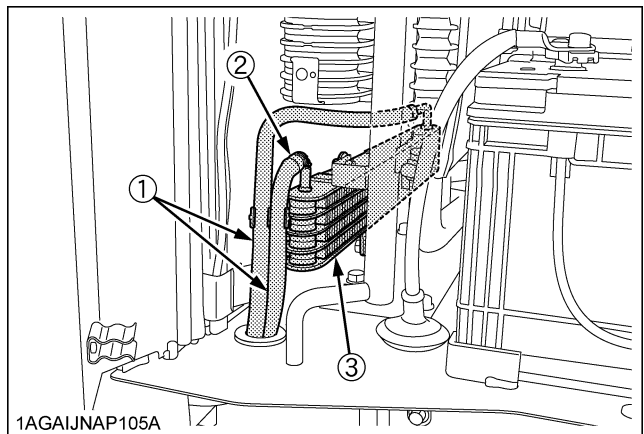
1. Check to see that all lines and hose clamps are tight and not damaged.
2. If hoses and clamps are found worn or damaged, replace or repair them at once.



1AGAIJNAP129B



1AGAIJNAP050B



1AGAIJNAP105A

(1) Fuel lines

(2) Clamp bands

(3) Fuel cooler

NOTE :

- If the fuel line is removed, be sure to properly bleed the fuel system.
(See "Bleeding Fuel System" in "SERVICE AS REQUIRED" in "PERIODIC SERVICE" section.)

■ Adjusting Brake Pedal



CAUTION

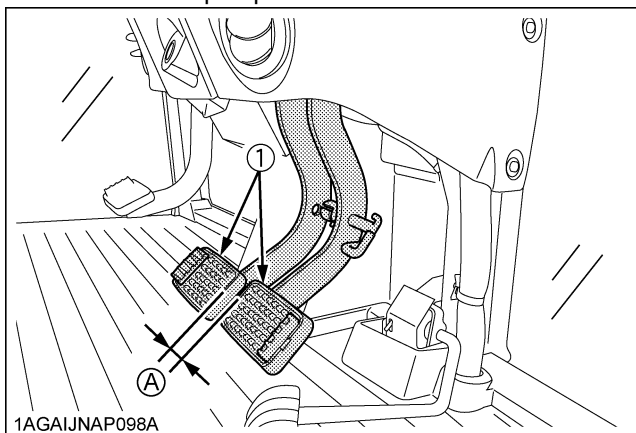
To avoid personal injury:

- Stop the engine and chock the wheels before checking brake pedal.
- To prevent uneven braking, the specification must be within the recommended limit. If found out of the specifications, contact your local KUBOTA Dealer for adjusting the brakes.

◆ Checking the brake pedal free travel

Proper brake pedal free travel	3 to 7 mm on the pedal
	Keep the free travel in the right and left brake pedals equal.

1. Set the parking brake.
2. Slightly depress the brake pedals and measure free travel at the top of pedal stroke.



(1) Brake pedals (A) "FREE TRAVEL"

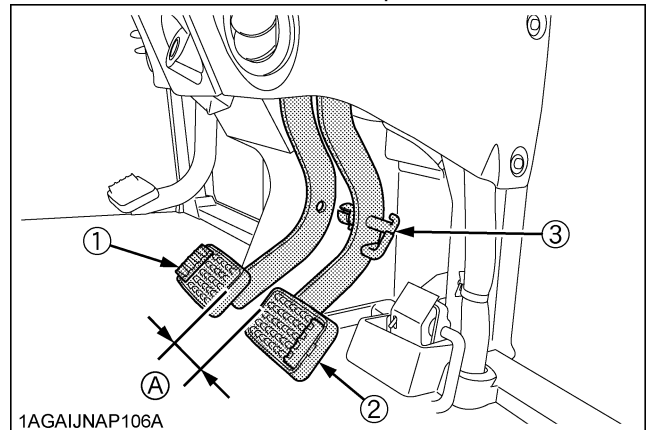
NOTE :

- Brake pedals should be equal when depressed.

◆ Checking the brake pedal stroke

Pedal stroke	Less than 100 mm at each pedal
--------------	--------------------------------

1. Disengage the brake pedal lock.
2. Depress the brake pedal several times.
3. Step on the right-hand pedal and measure the level difference (pedal stroke) between this pedal and the left-hand pedal.
4. Do the same for the left-hand pedal.



(1) Brake pedal (LH) (2) Brake pedal (RH) (3) Brake pedal lock (A) "PEDAL STROKE"

◆ Checking the equalizer working level (anti-imbalance device)

1. Gently step on both brake pedals at once.
2. Further step on the right-hand pedal (the left-hand pedal slightly raises itself) and measure the level difference between the pedals.
3. Do the same for the left-hand pedal.

Equalizer working level	Level difference of over 10 mm between both pedals
-------------------------	--

■ Adjusting Parking Brake Lever



CAUTION

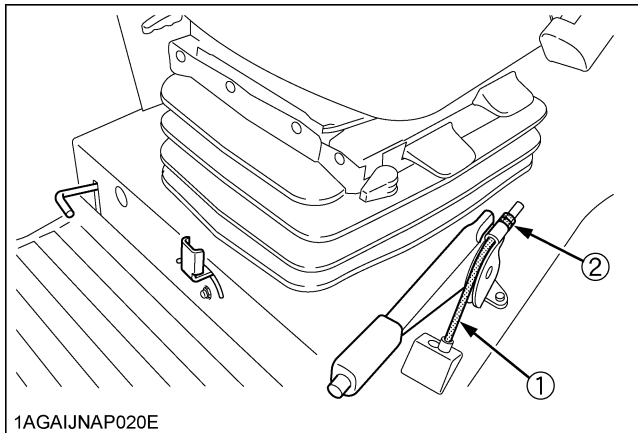
To avoid personal injury:

- Stop the engine and chock the wheels before checking parking brake.

Proper parking brake lever free travel	2 notches (Ratchet sound 2)
--	-----------------------------

1. Raise the parking brake lever to the parking position while counting the ratchet sound made by the parking brake lever.
2. If adjustment is needed, loosen the lock nut and adjust the parking brake cable length within acceptable limit.

3. Retighten the lock nut.



(1) Parking brake cable
(2) Lock nut

■ Checking Battery Condition



DANGER

To avoid the possibility of battery explosion:
For the refillable type battery, follow the instructions below.

- Do not use or charge the refillable type battery if the fluid level is below the LOWER (lower limit level) mark. Otherwise, the battery component parts may prematurely deteriorate, which may shorten the battery's service life or cause an explosion. Check the fluid level regularly and add distilled water as required so that the fluid level is between the UPPER and LOWER levels.



CAUTION

To avoid personal injury:

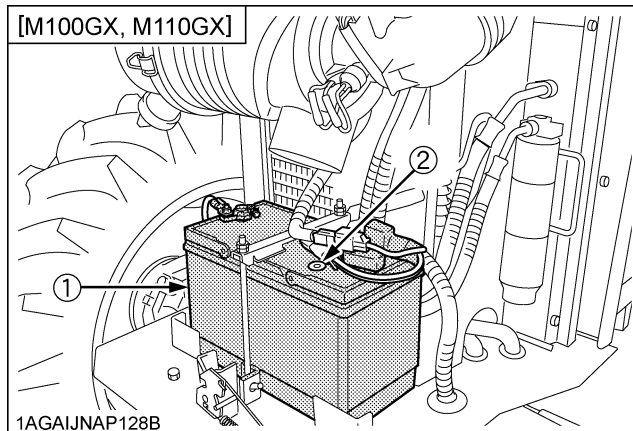
- Never remove the battery cap while the engine is running.
- Keep electrolyte away from eyes, hands and clothes. If you are splattered with it, wash it away completely with water immediately and get medical attention.
- Keep open sparks and flames away from the battery at all times. Hydrogen gas mixed with oxygen becomes very explosive.
- Wear eye protection and rubber gloves when working around battery.

The factory-installed battery is of non-refillable type. If the indicator turns white, do not charge the battery but replace it with new one.

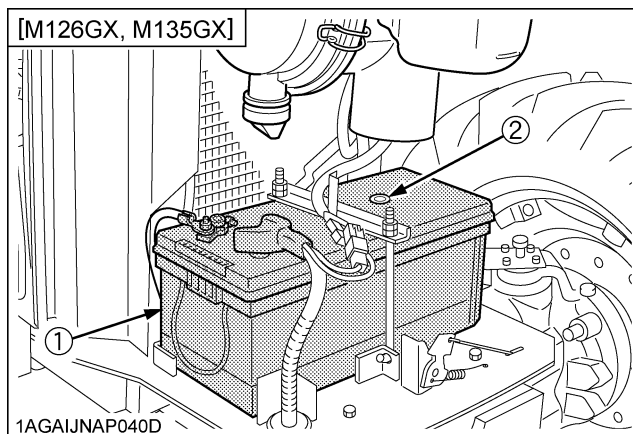
Mishandling the battery shortens the service life and adds to maintenance costs.

The original battery is maintenance free, but needs some servicing.

If the battery is weak, the engine will be difficult to start and the lights will be dim. It is important to check the battery periodically.



(1) Battery
(2) Indicator



(1) Battery
(2) Indicator

◆ How to read the indicator

Check the battery condition by reading the indicator.

State of indicator display	
Green	Specific gravity of electrolyte and quality of electrolyte are both in good condition.
Black	Needs charging battery.
White	Needs replacing battery.

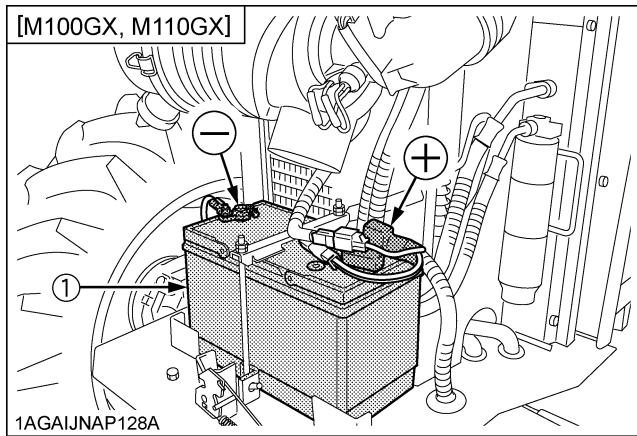
◆ **Battery Charging**



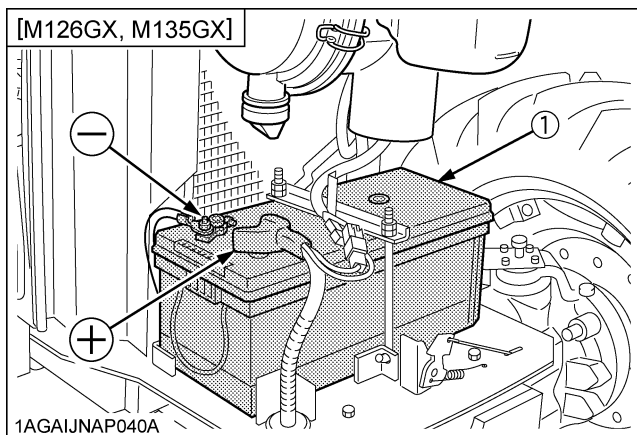
CAUTION

To avoid personal injury:

- When the battery is being activated, hydrogen and oxygen gases in the battery are extremely explosive. Keep open sparks and flames away from the battery at all times, especially when charging the battery.
- When charging the battery, ensure the vent caps are securely in place. (if equipped)
- When disconnecting the cable from the battery, start with the negative terminal first. When connecting the cable to the battery, start with the positive terminal first.
- Never check battery charge by placing a metal object across the posts. Use a voltmeter or hydrometer.



(1) Battery



(1) Battery

1. To slow charge the battery, connect the battery positive terminal to the charger positive terminal and the negative to the negative, then recharge in the standard fashion.

2. A boost charge is only for emergencies. It will partially charge the battery at a high rate and in a short time. When using a boost-charged battery, it is necessary to recharge the battery as early as possible. Failure to do this will shorten the battery's service life.
3. The battery is charged if the indicator display turns green from black.
4. When exchanging an old battery for a new one, use battery of equal specification shown in **table 1**.

Table 1

Battery Type	Volts (V)	Capacity	
GP31(105E41R)	12	80 (at 5H.R(A.H))	100 (at 20H.R(A.H))
180G51	12	160 (at 20H.R(A.H))	

Battery Type	Reserve Capacity (min)	Cold Cranking Amps	Normal Charging Rate (A)
GP31(105E41R)	160	900	11
180G51	300	1090	16

◆ **Direction for Storage**

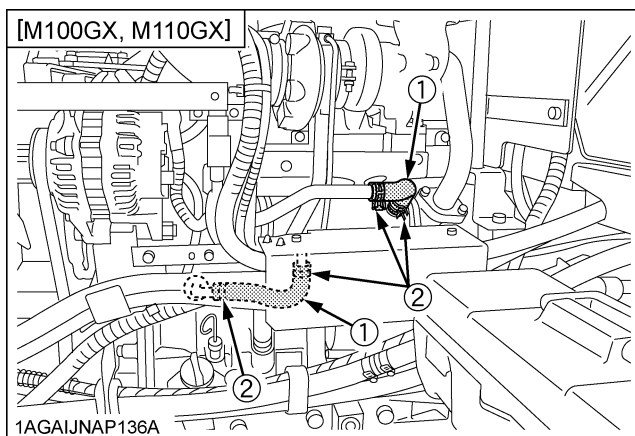
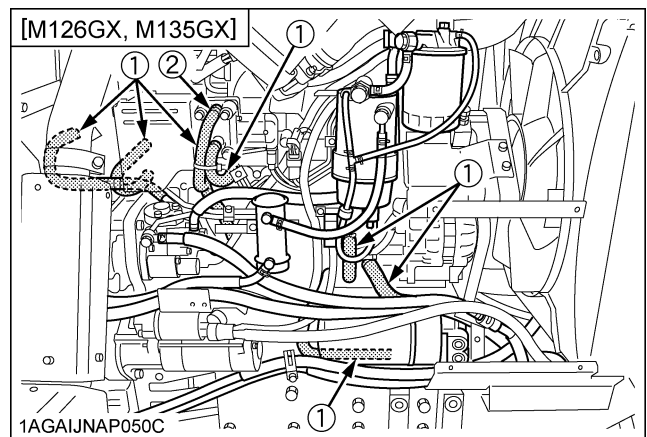
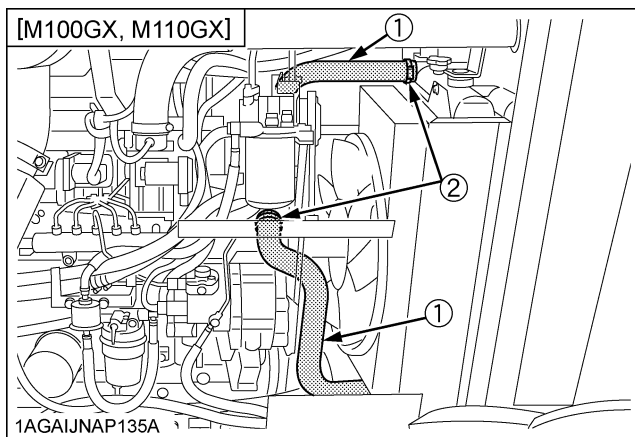
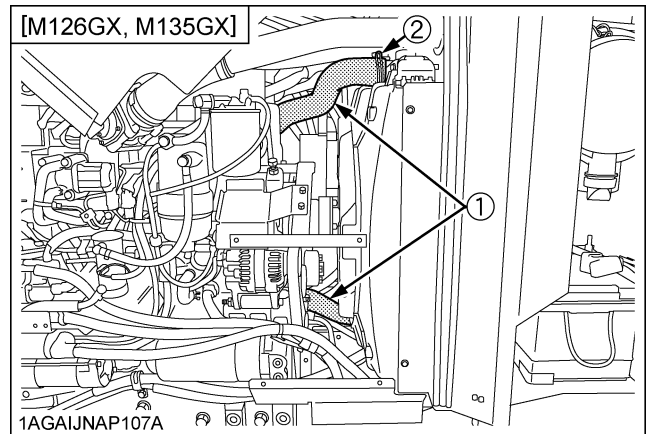
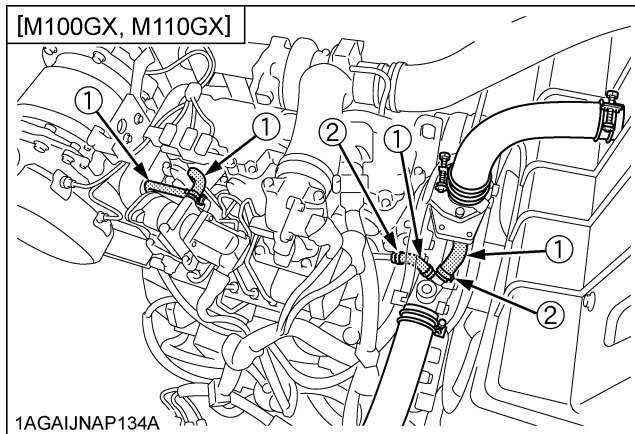
1. When storing the tractor for long periods of time, remove the battery from tractor, adjust the electrolyte to the proper level and store in a dry place out of direct sunlight.
2. The battery self-discharges while it is stored. Recharge it once every three months in hot seasons and once every six months in cold seasons.

EVERY 200 HOURS

■ **Checking Radiator Hose and Clamp**

Check to see if radiator hoses are properly fixed every 200 hours of operation or six months, whichever comes first.

1. If hose clamps are loose or water leaks, tighten bands securely.
 2. Replace hoses and tighten hose clamps securely, if radiator hoses are swollen, hardened or cracked.
- Replace hoses and hose clamps every 2 years or earlier if checked and found that hoses are swollen, hardened or cracked.



(1) Radiator hoses
(2) Hose clamps

(1) Radiator hoses
(2) Hose clamps

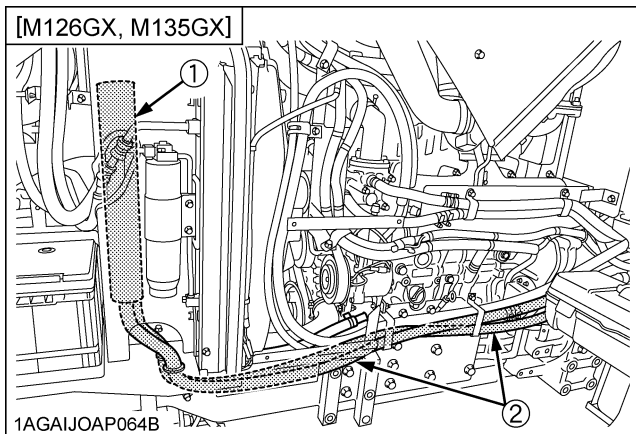
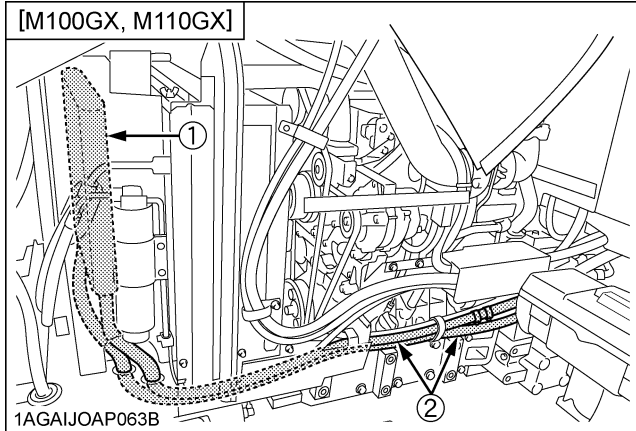
◆ **Precaution at Overheating**

Take the following actions in the event the coolant temperature is nearly or more than the boiling point, what is called "Overheating"

1. Park the tractor in a safe place and keep the engine unloaded idling.
2. Don't stop the engine suddenly, but stop it after about 5 minutes of unloaded idling.
3. Keep yourself well away from the machine for further 10 minutes or while the steam blows out.
4. Check that there are no dangers such as burns. Get rid of the causes of overheating according to the manual, see "TROUBLESHOOTING" section, and then, start again the engine.

■Checking Oil Cooler Line

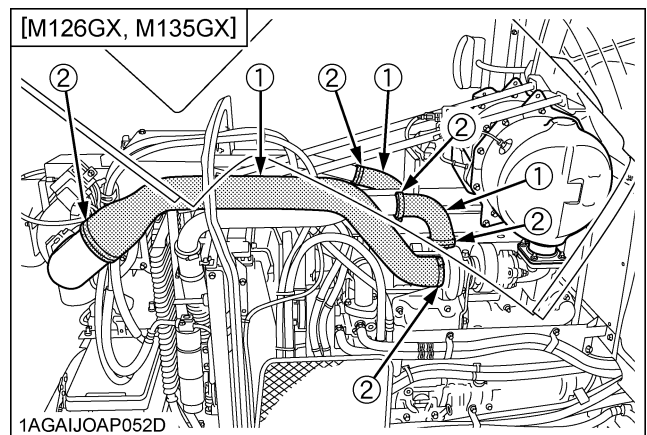
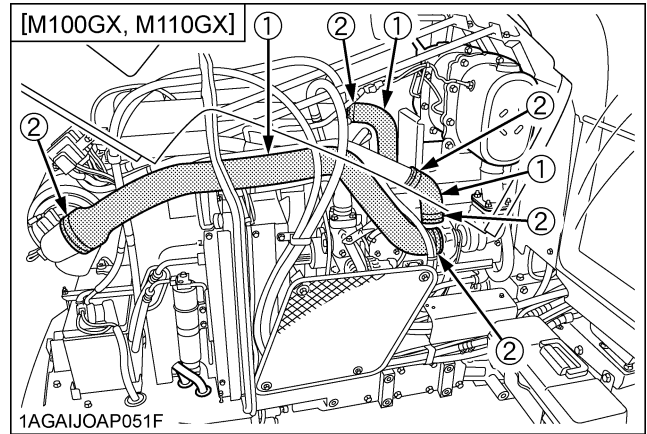
1. Check to see that all lines and hose clamps are tight and not damaged.
2. If hoses and clamps are found worn or damaged, replace or repair them at once.



- (1) Oil cooler
(2) Oil cooler line

■Checking Intake Air Line

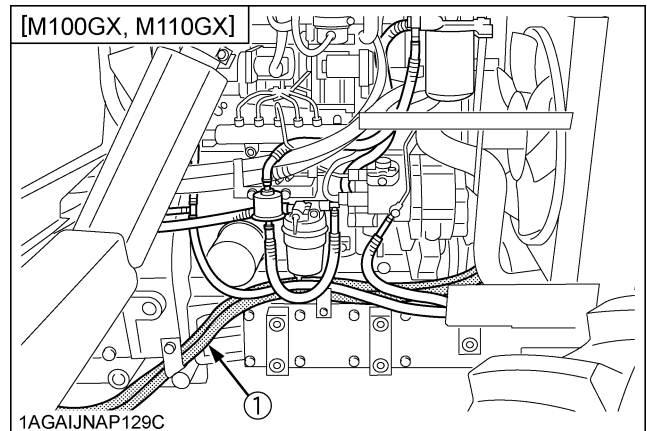
1. Check to see that hoses and hose clamps are tight and not damaged.
2. If hoses and clamps are found worn or damaged, replace or repair them at once.

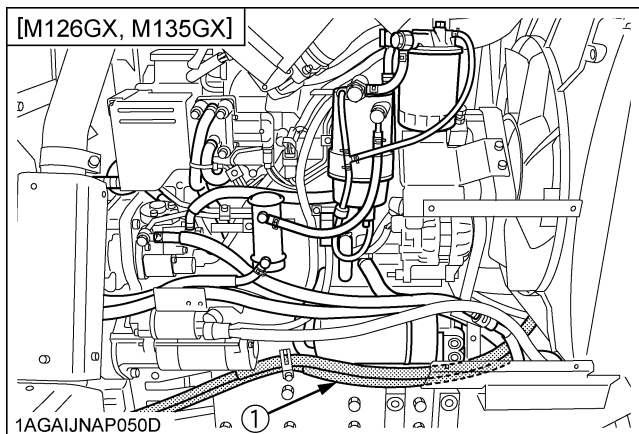


- (1) Hose
(2) Hose clamps

■Checking Power Steering Line

1. Check to see that all lines and hose clamps are tight and not damaged.
2. If hoses and clamps are found worn or damaged, replace or repair them at once.



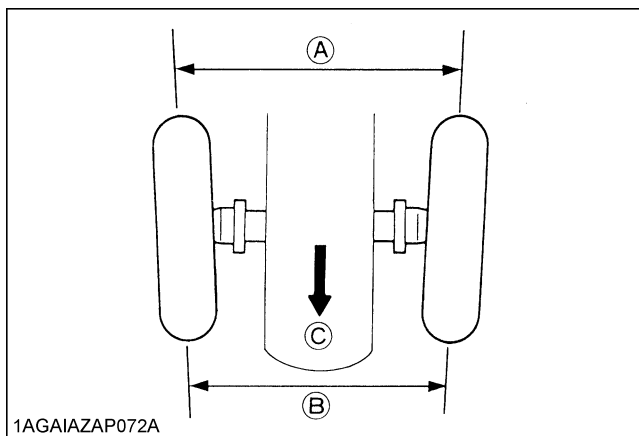


(1) Power steering pressure hoses

■ Adjusting Toe-in

Proper toe-in	2 to 8 mm
---------------	-----------

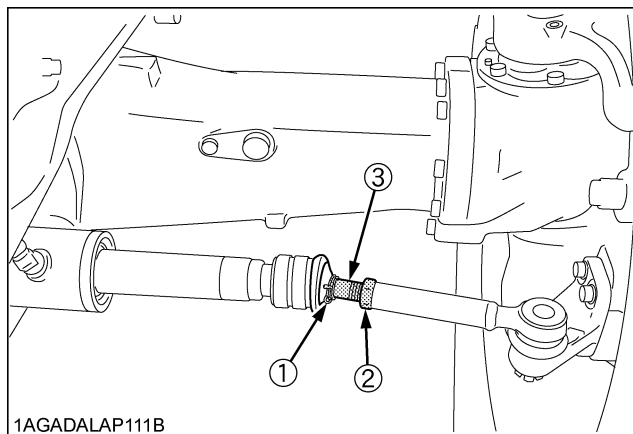
1. Park tractor on a flat place.
2. Turn steering wheel so front wheels are in the straight ahead position.
3. Lower the implement, lock the park brake and stop the engine.
4. Measure distance between tire beads at front of tire, at hub height.
5. Measure distance between tire beads at rear of tire, at hub height.
6. Front distance should be shorter than rear distance. If not, adjust tie rod length.



(A) Wheel - to - wheel distance at rear
 (B) Wheel - to - wheel distance at front
 (C) "FRONT"

◆ Adjusting procedures

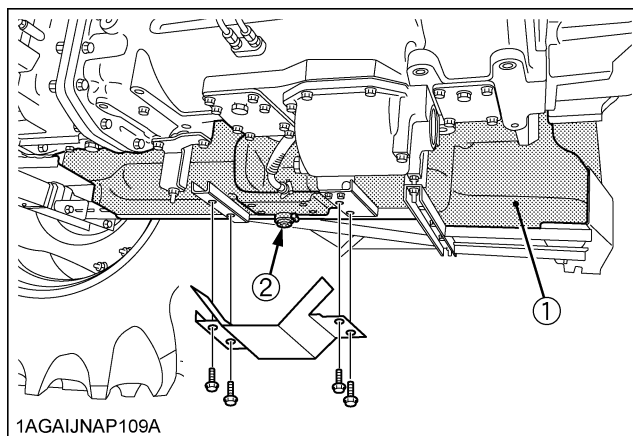
1. Detach the snap ring.
2. Loosen the tie-rod nut.
3. Turn the tie-rod joint to adjust the rod length until the proper toe-in measurement is obtained.
4. Retighten the tie-rod nut.
5. Attach the snap ring of the tie-rod joint.



(1) Snap ring
 (2) Tie-rod nut
 (3) Tie-rod joint

■ Draining Fuel Tank Water

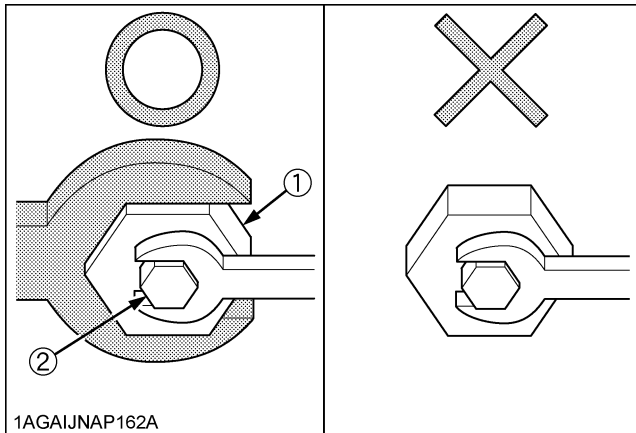
Loosen the drain plug at the bottom of the fuel tank to let sediments, impurities and water out of the tank. Finally tighten up the plug.



(1) Fuel Tank (Left)
 (2) Drain plug

◆ **Detaching and reattaching the drain plug**

In detaching and reattaching the drain plug, be sure to apply a wrench at the hex part of the flange to keep it in place. And detach or reattach the drain plug (bolt).



- (1) Flange (Hex part)
- (2) Drain plug (with seal washer)

	Tightening torque
Drain plug (M10)	39.2 to 45.1 N-m (4.0 to 4.6 kgf-m, 28.9 to 33.3 ft-lbs)
Tank cover lock bolt (M8)	23.5 to 27.5 N-m (2.4 to 2.8 kgf-m, 17.3 to 20.3 ft-lbs)

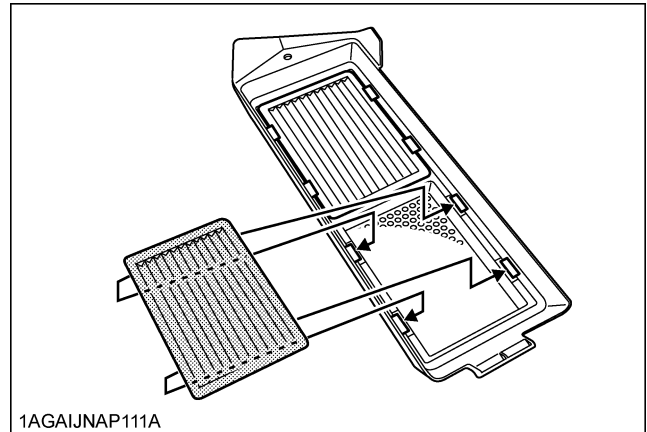
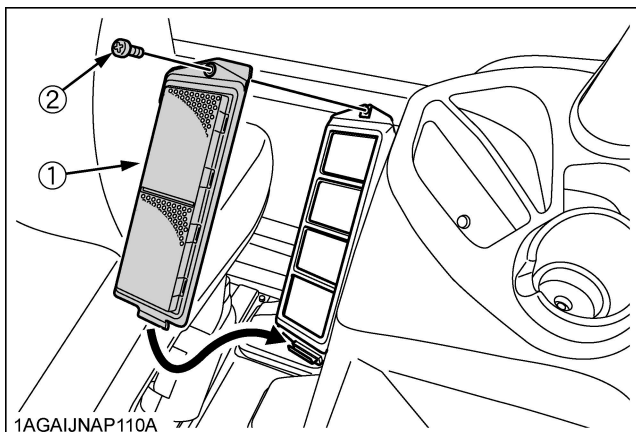
IMPORTANT :

- If the fuel contains poor qualities with much water in it, drain the fuel tank at shorter intervals.
- Drain the fuel tank before operating the tractor after a long period of storage.
- The fuel tank is made of plastic. Be careful not to overtighten the bolts.

■ **Cleaning Inner Air Filter**

Remove the inner filter, and blow air from the direction opposite to the filter's normal air flow.

Pressure of compressed air must be under 205 kPa (2.1 kgf/cm², 30 psi).



- (1) Inner air filter
- (2) Knob bolts

■ **Cleaning Fresh Air Filter**

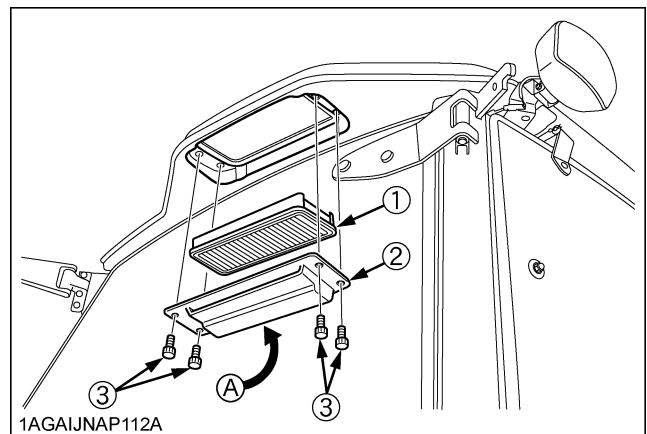


CAUTION

To avoid personal injury:

- When removing and attaching the filter, apply parking brake, stop the engine and remove the key.
- Check the filter using the strong and stable ladder to stand on. Never check it while standing on a tire or fender.

Remove the knob bolts and pull out filter.



- (1) Fresh air filter
- (2) Cover
- (3) Knob bolt
- (A) Air inlet port

NOTE :

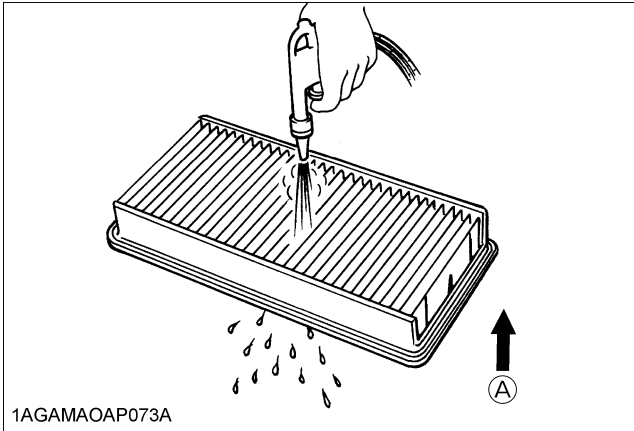
- Attach the filter and cover as the illustration above.

◆ **Cleaning the air filter**

- Normal use
Blow air from the opposite direction to the filter's normal air flow.
Pressure of compressed air must be under 205 kPa (2.1 kgf/cm², 30 psi).

IMPORTANT :

- Do not hit the filter. If the filter becomes deformed, dust may enter into the air-conditioner, which may cause damage and malfunction.



1AGAMAOP073A

(A) "AIR CONDITIONER AIRFLOW"

NOTE :

- If the filter is very dirty:
Dip the filter in lukewarm water with mild dish washing detergent.
Move it up and down as well as left and right to loosen dirt. Rinse the filter with clean water and let it air-dry.

IMPORTANT :

- Do not use gasoline, thinner or similar chemicals to clean the filter as damage to the filter may occur.
- It may also cause an unpleasant odor in the CAB when the system is used next.

■ **Adjusting Air-Conditioner Belt Tension**

[M100GX, M110GX]



CAUTION

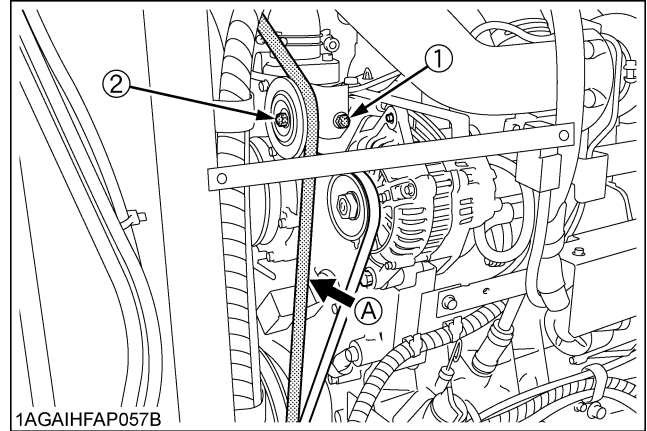
To avoid personal injury:

- Be sure to stop the engine before checking belt tension.

Proper air-conditioner belt tension	A deflection of between 10 to 12 mm when the belt is pressed (98 N [10 kgf]) in the middle of the span.
-------------------------------------	---

1. Stop the engine and remove the key.
2. Apply moderate thumb pressure to belt between pulleys.
3. If tension is incorrect, loosen the tension pulley mounting nut and turn the adjusting bolt to adjust the belt tension within acceptable limits.

4. Replace air-conditioner belt if it is damaged.



1AGAIHFAP057B

(1) Adjusting bolt

(2) Tension pulley mounting nut

(A) Check the belt tension

EVERY 300 HOURS

■ **Replacing Hydraulic Oil Filter**

◆ **Cleaning Magnetic Filter**

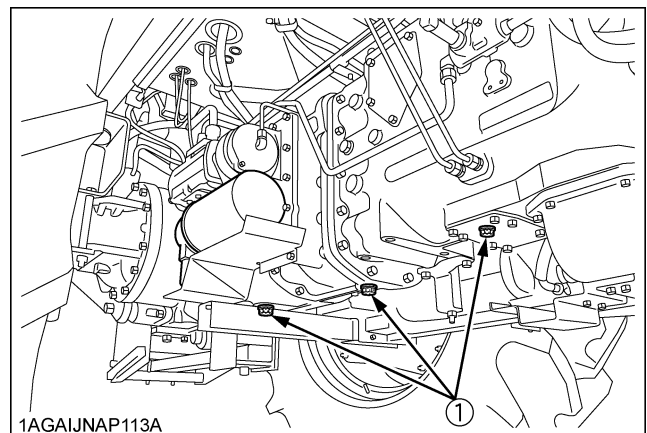


CAUTION

To avoid personal injury:

- Be sure to stop the engine before changing the oil filter cartridge.
- Allow engine to cool down sufficiently, oil can be hot and can burn.

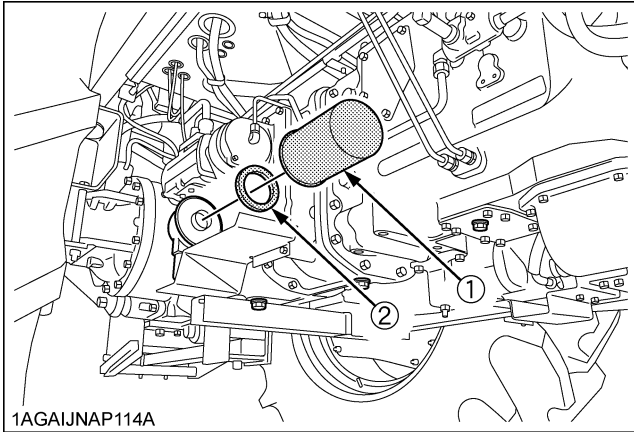
1. Remove the drain plug at the bottom of the transmission case and drain the oil completely into an oil pan.
2. After draining reinstall the drain plug.



1AGAIJNAP113A

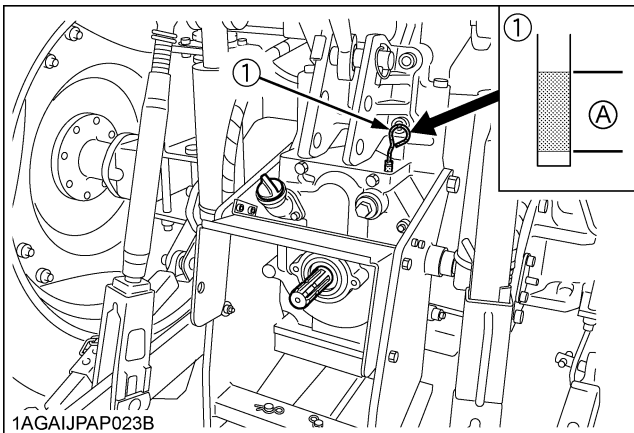
(1) Drain plug

3. Remove the oil filter.
4. Wipe off metal filings from the magnetic filter with a clean rag.



(1) Hydraulic oil filter
 (2) Magnetic filter (Wipe off metal filings)

5. Put a film of clean transmission oil on the rubber seal of the new filter.
6. Tighten the filter quickly until it contacts the mounting surface.
Tighten filter by hand an additional 1/2 turn only.
7. After the new filter has been replaced, fill the transmission oil up to the upper notch on the dipstick.



(1) Dipstick (A) Oil level is acceptable within this range

8. After running the engine for a few minutes, stop the engine and check the oil level again, add oil to the prescribed level.
9. Make sure that the transmission fluid doesn't leak pass the seal on the filter.

IMPORTANT :

- To prevent serious damage to the hydraulic system, use only a KUBOTA genuine filter.

EVERY 400 HOURS

■ Changing Engine Oil



CAUTION

To avoid personal injury:

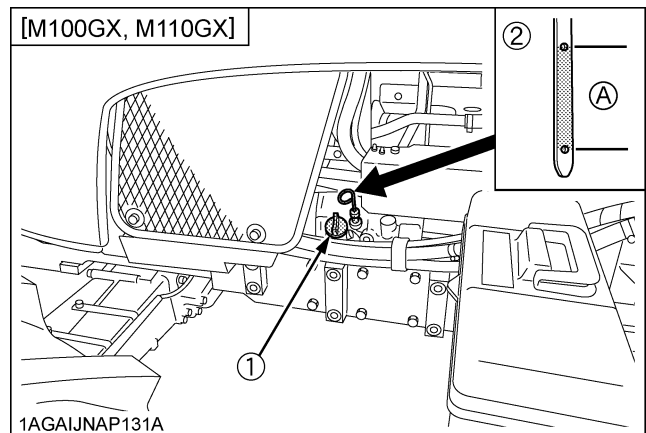
- Be sure to stop the engine before changing the oil.
- Allow engine to cool down sufficiently, oil can be hot and can burn.

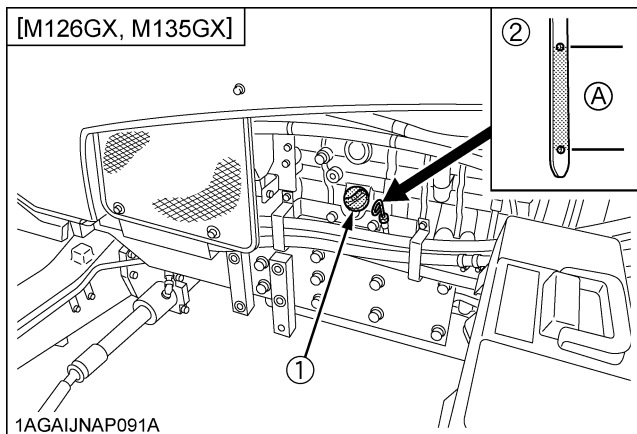
1. To drain the used oil, remove the drain plug at the bottom of the engine and drain the oil completely into the oil pan.
All the used oil can be drained out easily when the engine is still warm.
2. After draining reinstall the drain plug.
3. Fill with the new oil up to the upper notch on the dipstick.
(See "LUBRICANTS" in "MAINTENANCE" section.)

Tractor model	Oil capacity with filter
M100GX, M110GX	10.5 L
M126GX, M135GX	14.6 L

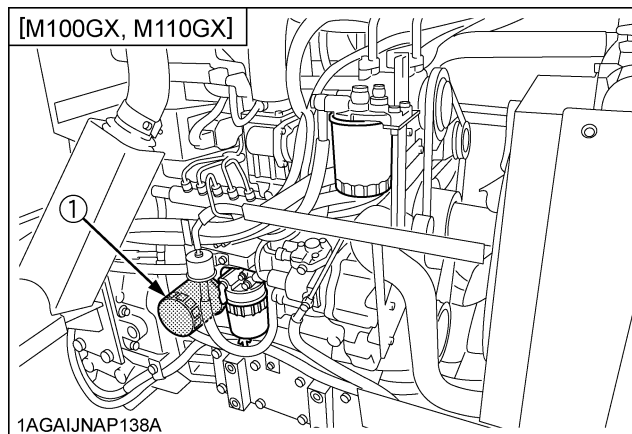
IMPORTANT :

- Use DPF-compatible oil (CJ-4) for the engine.

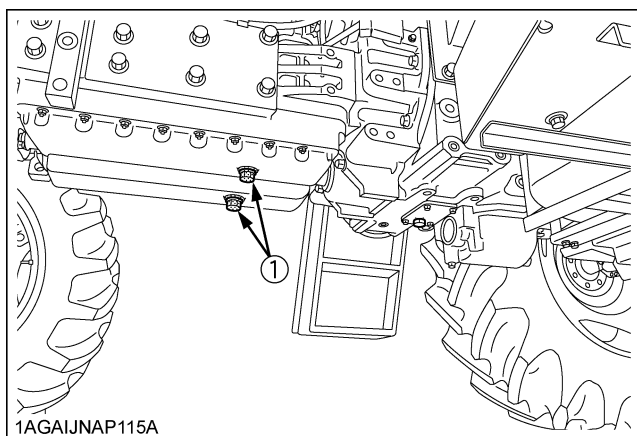




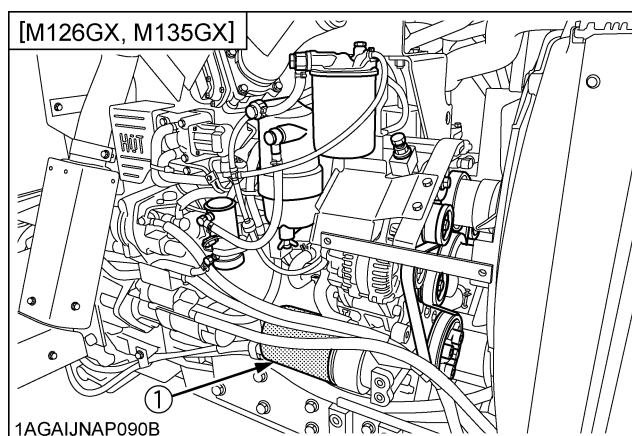
(1) Oil inlet (A) Oil level is acceptable within this range
(2) Dipstick



(1) Engine oil filter



(1) Drain plug



(1) Engine oil filter

■ Replacing Engine Oil Filter

⚠ CAUTION

To avoid personal injury:

- Be sure to stop the engine before changing the oil filter cartridge.
- Allow engine to cool down sufficiently, oil can be hot and can burn.

1. Remove the oil filter.
2. Put a film of clean engine oil on the rubber seal of the new filter.
3. Tighten the filter quickly until it contacts the mounting surface.
Tighten filter by hand an additional 1/2 turn only.
4. After the new filter has been replaced, the engine oil normally decreases a little. Make sure that the engine oil does not leak through the seal and be sure to check the oil level on the dipstick. Then, replenish the engine oil up to the prescribed level.

IMPORTANT :

- To prevent serious damage to the engine, use only a KUBOTA genuine filter.

■ Checking Fan / Air-conditioner Belt Tension

[M126GX, M135GX]

⚠ CAUTION

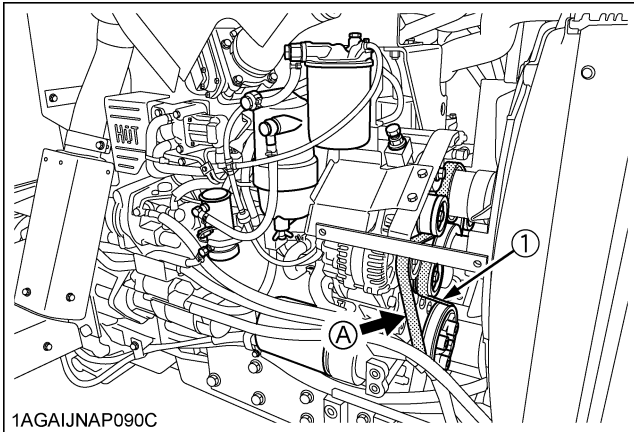
To avoid personal injury:

- Be sure to stop the engine before checking belt tension.

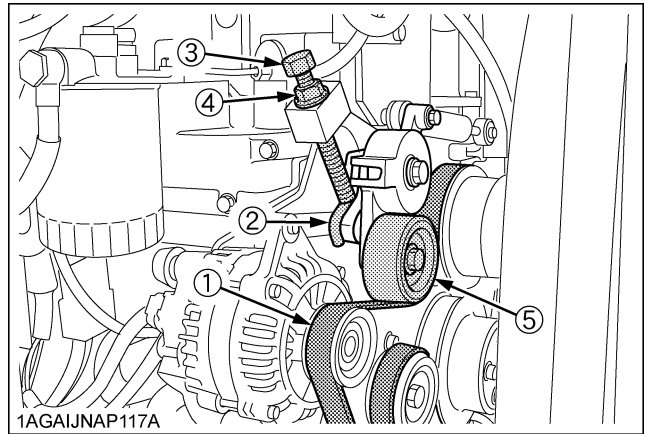
Proper belt tension	A deflection of between 9 to 11 mm when the belt is pressed (98 N [10 kgf]) in the middle of the span. (New belt: 7 to 9 mm)
---------------------	---

The belt is of self-tension type and needs no readjustment. Check the belt tension in the following procedure. If the deflection is out of spec or the belt itself is found damaged, replace it with new one.

1. Stop the engine and remove the key.
2. Press on the spot indicated in the figure below to measure the deflection.



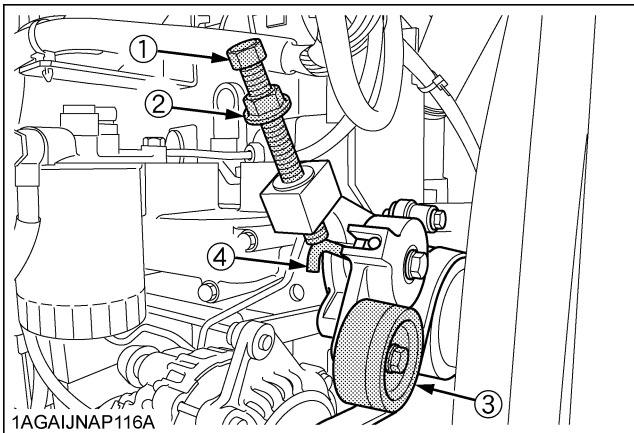
(1) Fan / Air-conditioner belt (A) Check the belt tension



(1) Belt
 (2) Tension spring end
 (3) Tension bolt
 (4) Lock nut
 (5) Self-tension pulley

◆ Replacing the belt

1. Loosen the lock nut first and then fully loosen the tension bolt.

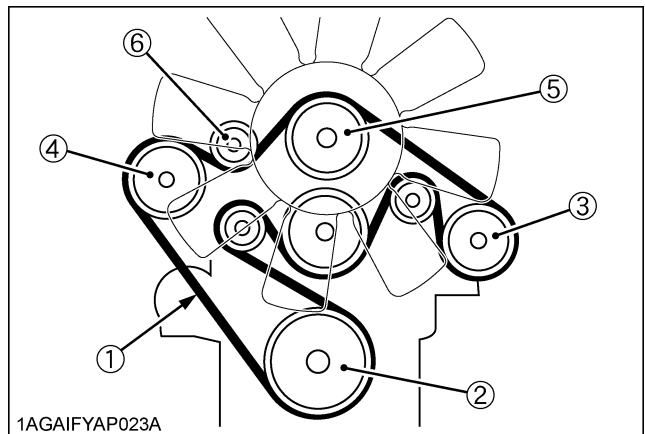


(1) Tension bolt
 (2) Lock nut
 (3) Self-tension pulley
 (4) Self-tension spring

2. Lift the tension pulley and remove the belt.
3. Fit the new belt instead as shown below.
4. Tighten the tension bolt until the tension spring end comes in close contact with the engine body. Finally tighten up the lock nut.

Tightening torque	Tension bolt	below 15 N-m (1.5 kgf-m)
	Lock nut	123.6 to 147.1 N-m (12.6 to 15.0 kgf-m)

◆ Fan / Air-conditioner Belt Routing



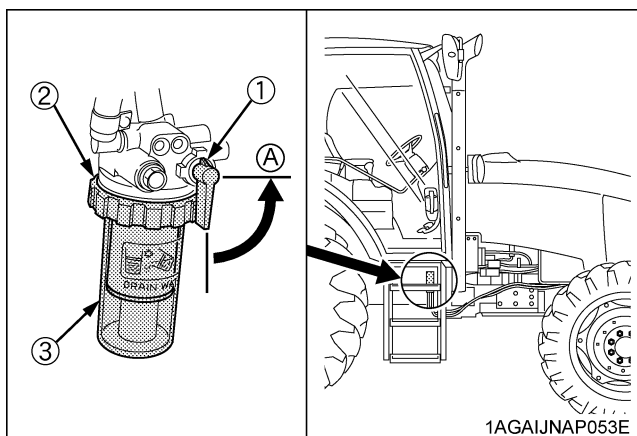
(1) Belt
 (2) Drive pulley
 (3) Air-conditioner compressor
 (4) Alternator
 (5) Fan pulley
 (6) Self-tension pulley

■Cleaning Pre-Fuel Filter

[M126GX, M135GX]

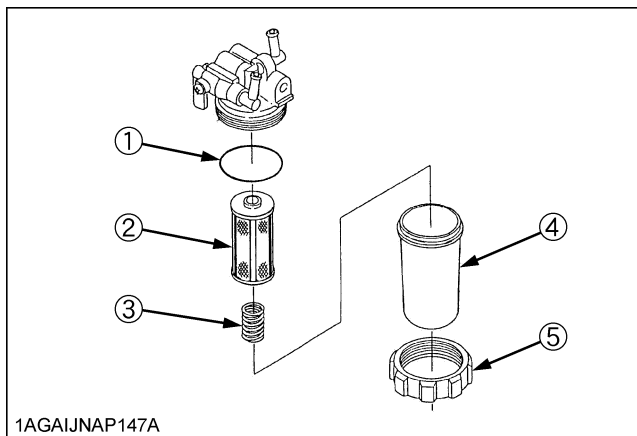
This job should not be done in the field, but in a clean place.

1. Close the fuel cock.
2. Unscrew the retainer ring and remove the cup, and rinse the inside with kerosene.
3. Take out the element and dip it in the kerosene to rinse.
4. After cleaning, reassemble the pre-fuel filter, keeping out dust and dirt.
5. Bleed the fuel system.
(See "Bleeding Fuel System" in "SERVICE AS REQUIRED" in "PERIODIC SERVICE" section.)



- (1) Fuel cock
(2) Retainer ring
(3) Cup

(A) "CLOSE"

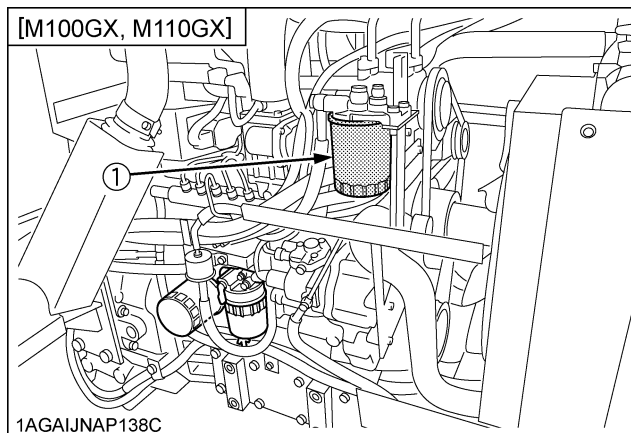


- (1) O ring
(2) Element
(3) Spring
(4) Cup
(5) Retainer ring

■Replacing Fuel Filter

[M100GX, M110GX]

1. Remove the fuel filter.
2. Put a film of clean fuel on rubber seal of new filter.
3. Tighten the filter quickly until it contacts the mounting surface.
Tighten filter by hand an additional 1/2 turn only.
4. Bleed the fuel system.
(See "Bleeding Fuel System" in "SERVICE AS REQUIRED" in "PERIODIC SERVICE" section.)



- (1) Fuel filter

■Cleaning Water Separator

[M100GX, M110GX]

This job should not be done in the field, but in a clean place.

1. Close the fuel cock.
2. Unscrew the cup and remove it, then rinse the inside with kerosene.
3. Take out the element and dip it in the kerosene to rinse.
4. After cleaning, reassemble the water separator, keeping out dust and dirt.
5. Bleed the fuel system.
(See "SERVICE AS REQUIRED" in "PERIODIC SERVICE" section.)

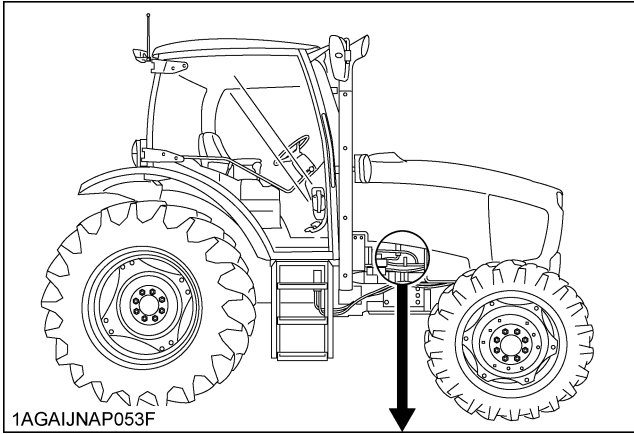
[M126GX, M135GX]

This job should not be done in the field, but in a clean place.

1. Unscrew the cup and remove it, then rinse the inside with kerosene.
2. Take out the element and replace it with a new one.
3. After cleaning, reassemble the water separator, keeping out dust and dirt.
4. Bleed the fuel system.
(See "SERVICE AS REQUIRED" in "PERIODIC SERVICE" section.)

IMPORTANT :

- If a fuel element is broken, replace it with new one.



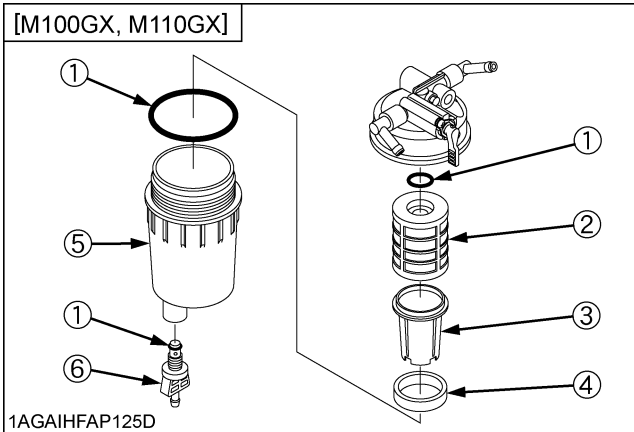
IMPORTANT :

- If the water separator and/or fuel filter is not well maintained, the supply pump and injector may be damaged earlier than expected.

■ Cleaning Fuel Solenoid Pump Element

[M126GX, M135GX]

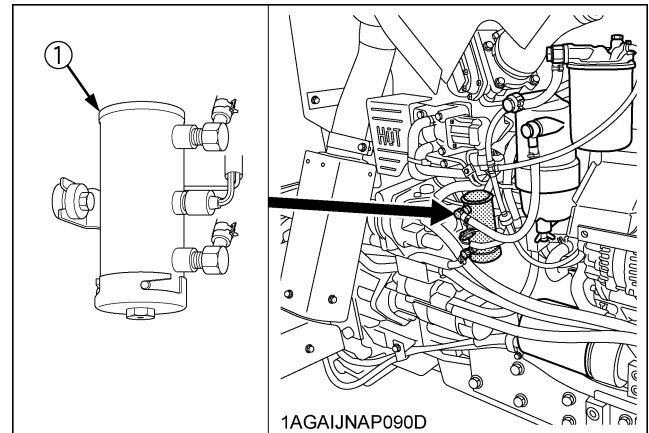
1. Close the fuel cock.
2. Unscrew the cover's nut and remove the cover from the fuel solenoid pump.
3. Remove the cover, magnet, and element and clean with kerosene.
4. Refer to the diagram below and reassemble the parts as they were before.
5. Open the fuel cock.



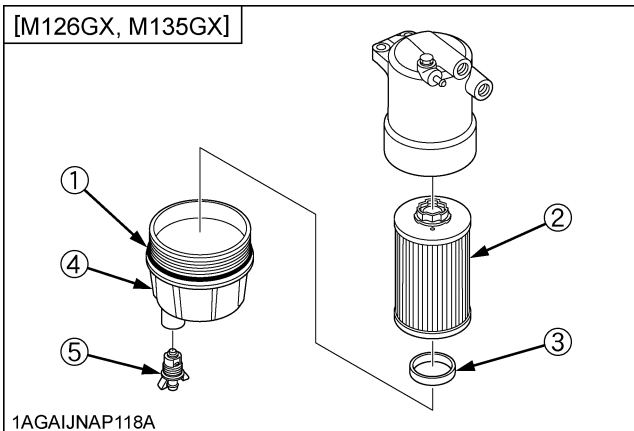
- (1) O ring
- (2) Element
- (3) Element cup
- (4) Red float
- (5) Cup
- (6) Drain plug

IMPORTANT :

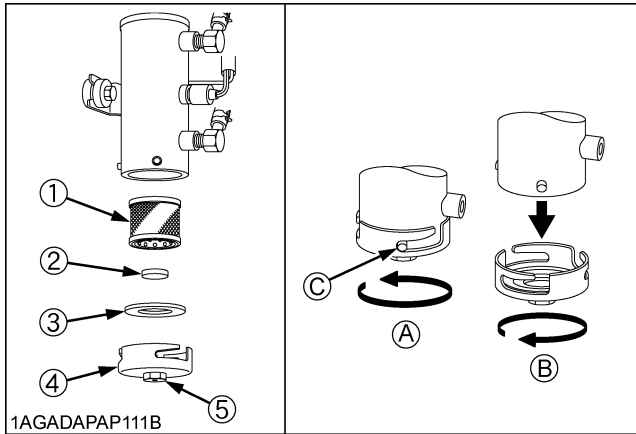
- When assembling the parts, be careful that no dirt or dust contacts them.
- Be sure to install the cover securely.
- After assembly, be sure to bleed the air from the fuel system. (See "Bleeding Fuel System" in "SERVICE AS REQUIRED" in "PERIODIC SERVICE".)



(1) Fuel solenoid pump

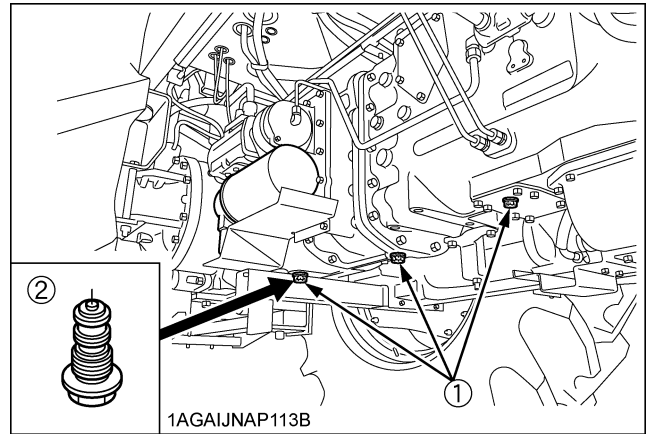


- (1) O ring
- (2) Element
- (3) Red float
- (4) Cup
- (5) Drain plug



- (1) Element
- (2) Magnet
- (3) Gasket
- (4) Cover
- (5) Nut

- (A) "TIGHTEN"
 - (B) "LOOSEN"
 - (C) Pin
- "Tighten the cover until the end of the slot contacts the pin."



- (1) Drain plugs
- (2) Magnetic plug (wipe off metal filings)

EVERY 600 HOURS

■ Changing Transmission Fluid

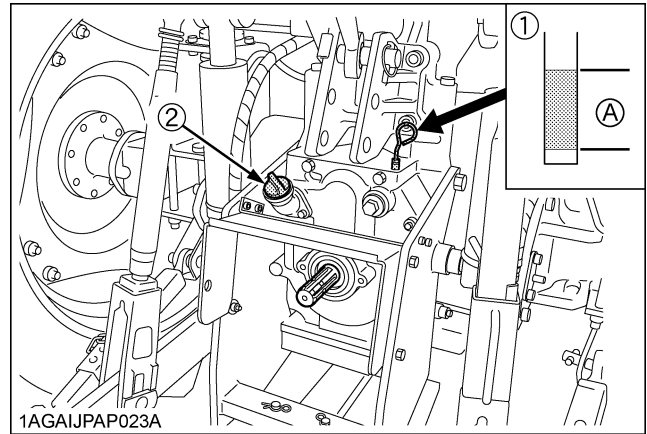


CAUTION

To avoid personal injury:

- Allow engine to cool down sufficiently, oil can be hot and can burn.

1. To drain the used oil, remove the drain plug at the bottom of the transmission case and drain the oil completely into the oil pan.
Clean the magnetic plug with rags.
2. After draining reinstall the drain plug.
3. Fill with the new KUBOTA SUPER UDT fluid up to the upper notch on the dipstick.
(See "LUBRICANTS" in "MAINTENANCE" section.)
4. After running the engine for a few minutes, stop it and check the oil level again; add oil to prescribed level.



- (1) Dipstick
- (2) Oil filling plug

(A) Oil level is acceptable within this range

IMPORTANT :

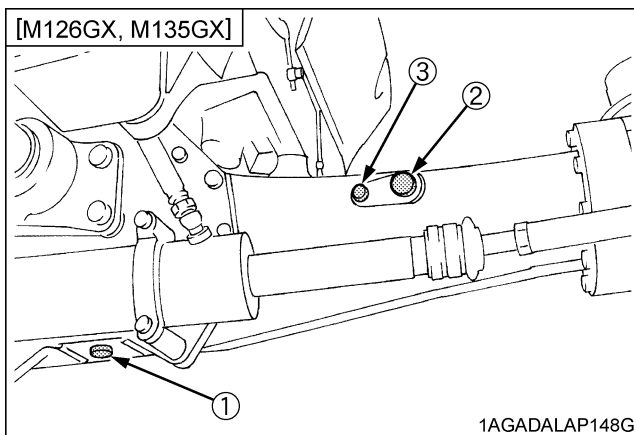
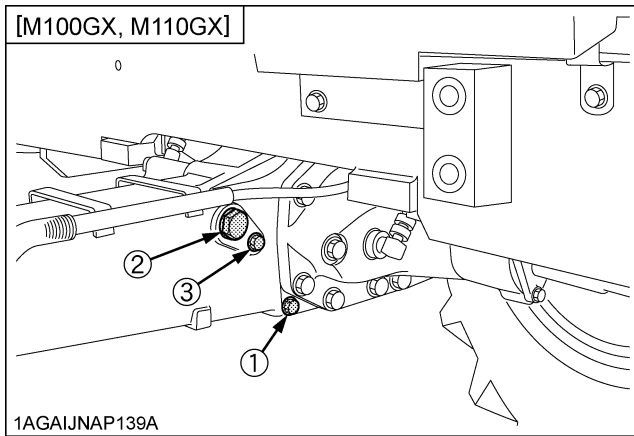
- Do not operate the tractor immediately after changing the transmission fluid.
Run the engine at medium speed for a few minutes to prevent damage to the transmission.

Oil capacity	65 L
--------------	------

■ Changing Front Differential Case Oil

1. To drain the used oil, remove the drain and filling plug at the front differential case and drain the oil completely into the oil pan.
2. After draining reinstall the drain plug.
3. Remove the oil level check plug.
4. Fill with the new oil up to the lower rim of check plug port.
(See "LUBRICANTS" in "MAINTENANCE" section.)
5. After filling reinstall the filling plug and check plug.

Tractor model	Oil capacity
M100GX, M110GX	7 L
M126GX, M135GX	13 L

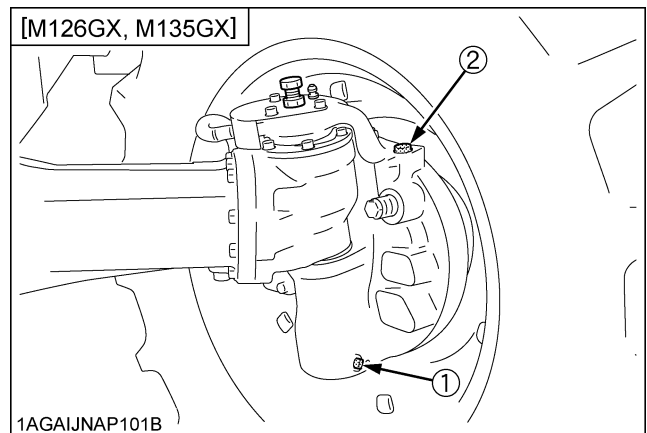
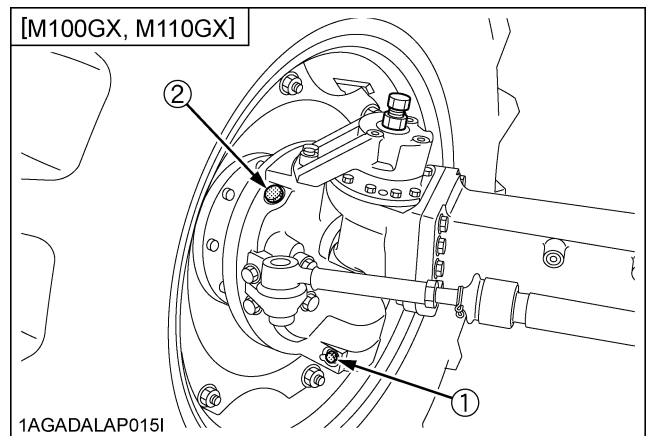


- (1) Drain plug
- (2) Filling plug
- (3) Check plug

■ Changing Front Axle Gear Case Oil

1. To drain the used oil, remove the right and left drain plugs and filling plugs at the front axle gear case and drain the oil completely into the oil pan.
2. After draining reinstall the drain plugs.
3. Fill with the new oil up to the filling plug port.
(See "LUBRICANTS" in "MAINTENANCE" section.)
4. After filling reinstall the filling plugs.

Tractor model	Oil capacity for each side
M100GX, M110GX	3.5 L
M126GX, M135GX	4.5 L



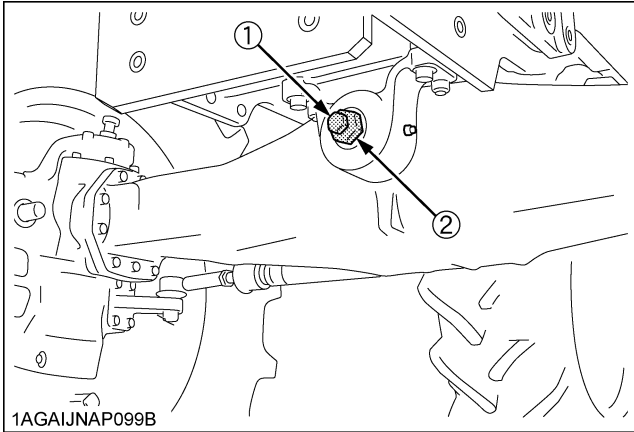
- (1) Drain plug
- (2) Filling plug

■ Adjusting Front Axle Pivot

If the front axle pivot pin adjustment is not correct, front wheel vibration can occur causing vibration in the steering wheel.

◆ Adjusting procedure

Loosen the lock nut, screw-in the adjusting screw until seated, then tighten the screw with an additional 1/6 turn. Re-tighten the lock nut.

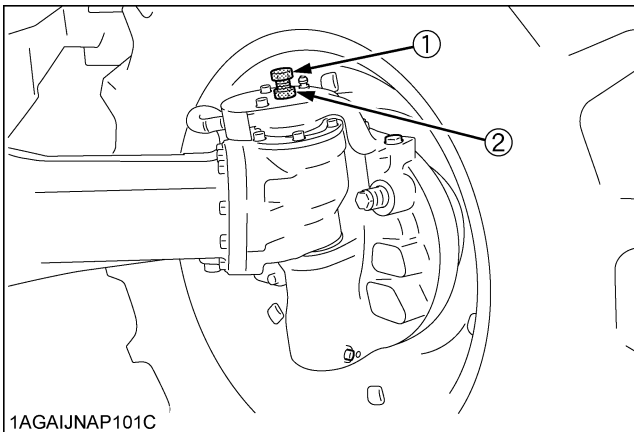


(1) Adjusting screw
(2) Lock nut

■ Adjusting King-pin Pivot

Loosen the lock nut and tighten the adjusting screw with following torque:

Adjusting screw	4.9 to 9.8 N-m, 0.5 to 1.0 kgf-m
Lock nut	98.1 to 147 N-m, 10 to 15 kgf-m



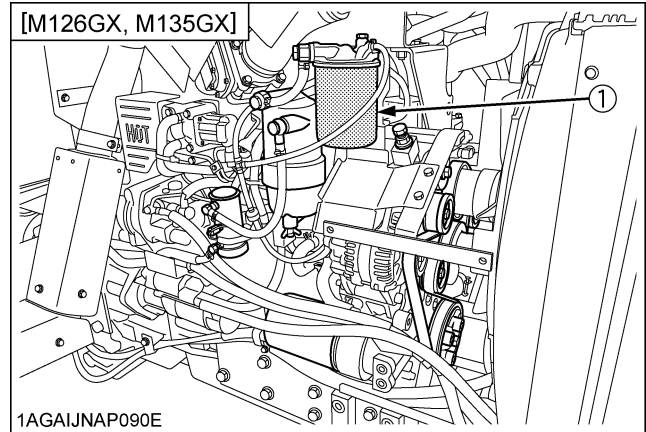
(1) Adjusting screw
(2) Lock nut

EVERY 800 HOURS

■ Replacing Fuel Filter

[M126GX, M135GX]

1. Remove the fuel filter.
2. Put a film of clean fuel on rubber seal of new filter.
3. Tighten the filter quickly until it contacts the mounting surface.
Tighten filter by hand an additional 1/2 turn only.
4. Bleed the fuel system.
(See "Bleeding Fuel System" in "SERVICE AS REQUIRED" in "PERIODIC SERVICE" section.)



(1) Fuel filter

■ Adjusting Engine Valve Clearance

Consult your local KUBOTA Dealer for this service.

EVERY 1500 HOURS

■ Cleaning Fuel Injector Nozzle Tip

Consult your local KUBOTA Dealer for this service.

■ Checking and Cleaning EGR Cooler

Consult your local KUBOTA Dealer for this service.

■ Checking Accumulator

[Front suspension type]

Consult your local KUBOTA Dealer for this service.

EVERY 3000 HOURS

■ Checking Turbocharger

Consult your local KUBOTA Dealer for this service.

■ Checking Supply Pump

Consult your local KUBOTA Dealer for this service.

■Checking Intake Air Heater

[M100GX, M110GX]

Consult your local KUBOTA Dealer for this service.

■Checking and Cleaning EGR System

Consult your local KUBOTA Dealer for this service.

■Cleaning DPF Muffler

◆ Removal of ash

The longer the DPF operates, the more ash (burnt residue) is collected in the filter. Too much ash build-up adversely affects the DPF performance. Consult your local KUBOTA Dealer to clean the filter.

IMPORTANT :

- The DPF needs cleaning with a specific cleaning device. Do not clean the DPF by disassembling, and attempt by yourself, consult your local KUBOTA Dealer.

EVERY 1 YEAR

■Replacing Air Cleaner Primary Element and Secondary Element

(See "Cleaning Air Cleaner Primary Element" in "EVERY 100 HOURS" in "PERIODIC SERVICE" section.)

■Checking Air-Conditioner Pipe and Hose

1. Check to see that all lines and hose clamps are tight and not damaged.
2. If hoses and clamps are found worn or damaged, consult your local KUBOTA Dealer for this service.

■Checking CAB Isolation Cushion

Check the cushion for any breakage or fatigue. Replace them if they are deteriorated.

■Checking Exhaust Manifold

Consult your local KUBOTA Dealer for this service.

■Checking DPF Differential Pressure Sensor Pipe

Consult your local KUBOTA Dealer for this service.

■Checking EGR Pipe

Consult your local KUBOTA Dealer for this service.

EVERY 2 YEARS

■Flushing Cooling System and Changing Coolant



CAUTION

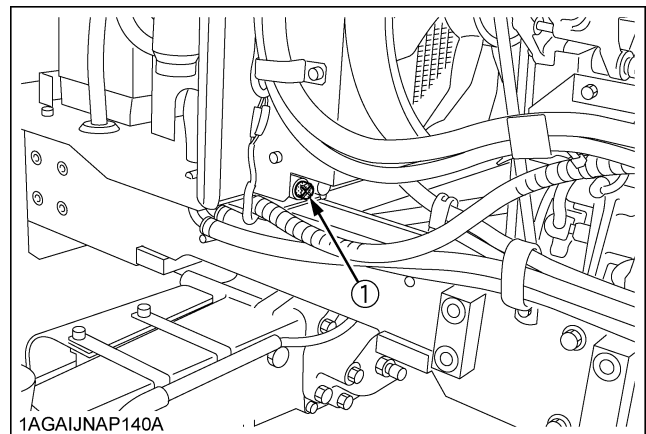
To avoid personal injury:

- Do not remove radiator cap while coolant is hot. When cool, slowly rotate cap to the first stop and allow sufficient time for excess pressure to escape before removing the cap completely.

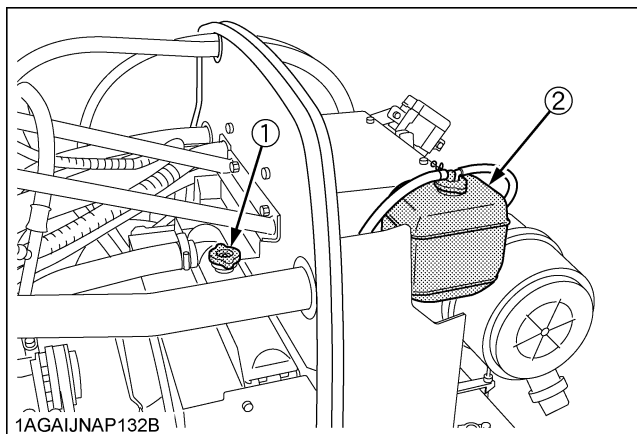
[M100GX, M110GX]

1. Stop the engine, remove the key and let it cool down.
2. To drain the coolant, open the radiator drain plug and remove radiator cap. The radiator cap must be removed to completely drain the coolant.
3. After all coolant is drained, reinstall the drain plug.
4. Fill with clean soft water and cooling system cleaner.
5. Follow directions of the cleaner instruction.
6. After flushing, fill with clean soft water and anti-freeze until the coolant level is just below the radiator cap. Install the radiator cap securely.
7. Fill with coolant up to the "FULL" mark of recovery tank.
8. Start and operate the engine for few minutes.
9. Stop the engine, remove the key and let cool.
10. Check coolant level of recovery tank and add coolant if necessary.
11. Properly dispose of used coolant.

Coolant capacity	9.6 L
------------------	-------



(1) Drain plug ((+) Plus screwdriver)

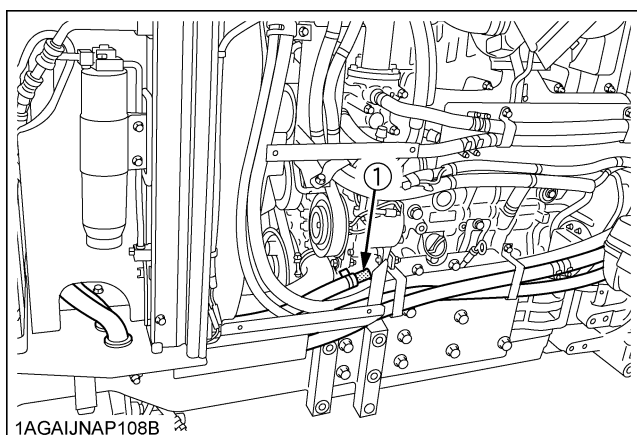


(1) Radiator cap
(2) Recovery tank

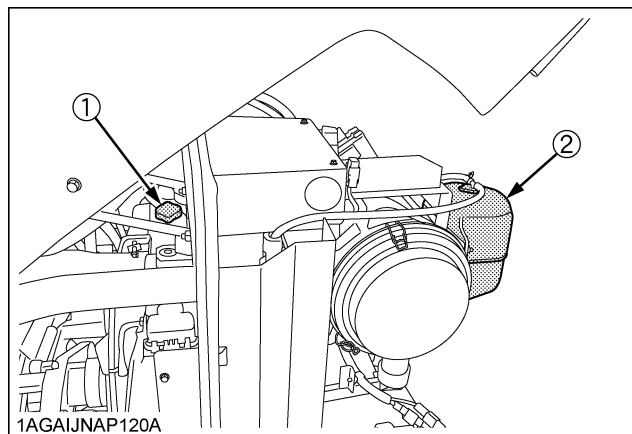
[M126GX, M135GX]

1. Stop the engine and let it cool down.
2. To drain the coolant, remove the radiator drain plug and the radiator cap. The radiator cap must be removed to completely drain the coolant.
3. After all coolant is drained, install the drain plug securely.
4. Fill with clean soft water and cooling system cleaner.
5. Follow directions of the cleaner instruction.
6. After flushing, fill with clean soft water and anti-freeze until the coolant level is just below the port.
7. Fill with clean water and anti-freeze up to the upper line of recovery tank.
8. Install the radiator cap securely.
9. Start and operate the engine for a few minutes.
10. Stop the engine. Check coolant level and add coolant if necessary.
11. Properly dispose of used coolant.

Coolant capacity	14.6 L
------------------	--------



(1) Drain plug



(1) Radiator cap
(2) Recovery tank

IMPORTANT :

- Do not start engine without coolant.
- Use clean, fresh soft water and anti-freeze to fill the radiator and recovery tank.
- When mixing the anti-freeze with water, the anti-freeze mixing ratio is 50 %.
- Securely tighten radiator cap. If the cap is loose or improperly fitted, water may leak out and the engine could overheat.

NOTE :

- On cab type machines, coolant circulates through the heater. This means that one more liter or so of coolant is required.

In changing coolant, pour coolant up to the filler port of the recovery tank. Turn ON the heater (shift the temperature control lever toward WARM), and run the engine for a while in order to warm coolant. Then stop the engine.

When coolant has cooled down, some of the coolant in the recovery tank is sucked. Now the recovery tank is appropriately filled with coolant.

■ Anti-Freeze



CAUTION

To avoid personal injury:

- When using antifreeze, put on some protection such as rubber gloves (Antifreeze contains poison.).
- If should drink antifreeze, throw up at once and take medical attention.
- When antifreeze comes in contact with the skin or clothing, wash it off immediately.
- Do not mix different types of Antifreeze. The mixture can produce chemical reaction causing harmful substances.
- Antifreeze is extremely flammable and explosive under certain conditions. Keep fire and children away from antifreeze.

- **When draining fluids from the engine, place some container underneath the engine body.**
- **Do not pour waste onto the grounds, down a drain, or into any water source.**
- **Also, observe the relevant environmental protection regulations when disposing of antifreeze.**

If it freezes, coolant can damage the cylinders and radiator. If the ambient temperature falls below 0°C or before a long-term storage, let out cooling water completely, or mix fresh water with long-life coolant and fill the radiator and recovery tank with the mixture.

1. Long-life coolant (hereafter LLC) comes in several types. Use ethylene glycol (EG) type for this engine.
2. Before employing LLC-mixed cooling water, fill the radiator with fresh water and empty it again. Repeat this procedure 2 or 3 times to clean up the inside.
3. Mixing the LLC
Put the LLC in cooling water in the percentage (%) for a target temperature. When mixing, stir it up well, and then fill into the radiator.
4. The procedure for the mixing of water and antifreeze differs according to the make of the antifreeze and the ambient temperature. Refer to SAE J1034 standard, more specifically also to SAE J814c.

IMPORTANT :

- When the antifreeze is mixed with water, the antifreeze mixing ratio must be less than 50%.

Vol % Anti-freeze	Freezing Point	Boiling Point*
	°C	°C
40	-24	106
50	-37	108

* At 1.013 x 10⁵Pa (760mmHg) pressure (atmospheric). A higher boiling point is obtained by using a radiator pressure cap which permits the development of pressure within the cooling system.

5. Adding the LLC
 - (1) Add only water if the mixture reduces in amount by evaporation.
 - (2) If there is a mixture leak, add the LLC of the same manufacturer and type in the same mixture percentage.
 - * Never add any long-life coolant of different manufacturer. (Different brands may have different additive components, and the engine may fail to perform as specified.)
6. When the LLC is mixed, do not employ any radiator cleaning agent. The LLC contains anticorrosive agent. If mixed with the cleaning agent, sludge may build up, adversely affecting the engine parts.
7. Kubota's genuine long-life coolant has a service life of 2 years. Be sure to change the coolant every 2 years.

NOTE :

- The above data represent industry standards that necessitate a minimum glycol content in the concentrated antifreeze.
- When the coolant level drops due to evaporation, add water only to keep the antifreeze mixing ratio less than 50%. In case of leakage, add antifreeze and water in the specified mixing ratio before filling in to the radiator.

■ Replacing Radiator Hose (Water pipes)

Replace the hoses and clamps.

(See "Checking Radiator Hose and Clamp" in "EVERY 200 HOURS" in "PERIODIC SERVICE" section.)

■ Replacing Power Steering Hose

Consult your local KUBOTA Dealer for this service.

■ Replacing Fuel Hose

Consult your local KUBOTA Dealer for this service.

■ Replacing Oil Cooler Line

Consult your local KUBOTA Dealer for this service.

■ Replacing Intake Air Line

Consult your local KUBOTA Dealer for this service.

■ Replacing DPF Differential Pressure Sensor Hose

Consult your local KUBOTA Dealer for this service.

■ Replacing Boost Sensor Hose

Consult your local KUBOTA Dealer for this service.

■ Replacing Parking Brake Cable

Consult your local KUBOTA Dealer for this service.

■ Replacing Brake Hose

Consult your local KUBOTA Dealer for this service.

■ Replacing Clutch Hose

Consult your local KUBOTA Dealer for this service.

■ Replacing Differential Lock Hose

Consult your local KUBOTA Dealer for this service.

■ Replacing Master Cylinder Kit

Consult your local KUBOTA Dealer for this service.

■ Replacing Equalizer Kit

Consult your local KUBOTA Dealer for this service.

■ Replacing Brake Seal 1 and 2

Consult your local KUBOTA Dealer for this service.

■ Replacing Lift Cylinder Hose

Consult your local KUBOTA Dealer for this service.

■ Replacing Air Conditioner Hose

Consult your local KUBOTA Dealer for this service.

■ Replacing Suspension Hose

[Front suspension type]

Consult your local KUBOTA Dealer for this service.

SERVICE AS REQUIRED

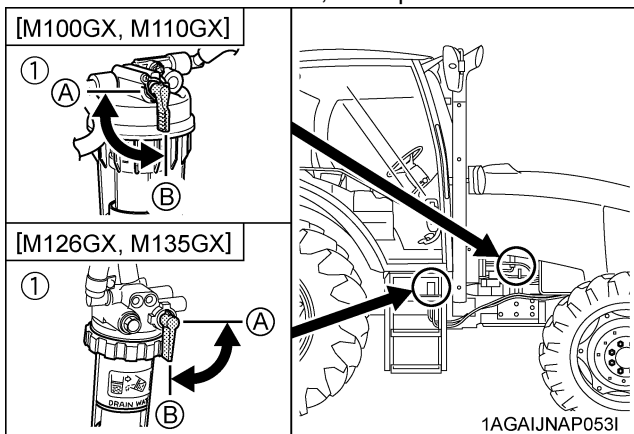
■ Bleeding Fuel System

Air must be removed:

1. When the fuel filter or lines are removed.
2. When water is drained from water separator.
3. When tank is completely empty.
4. After the tractor has not been used for a long period of time.

◆ Bleeding procedure is as follows:

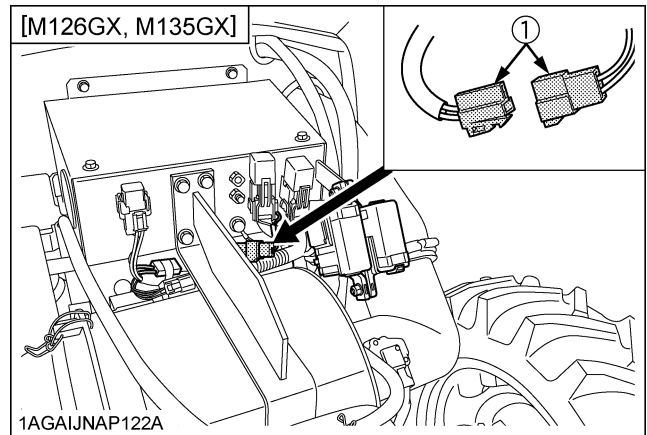
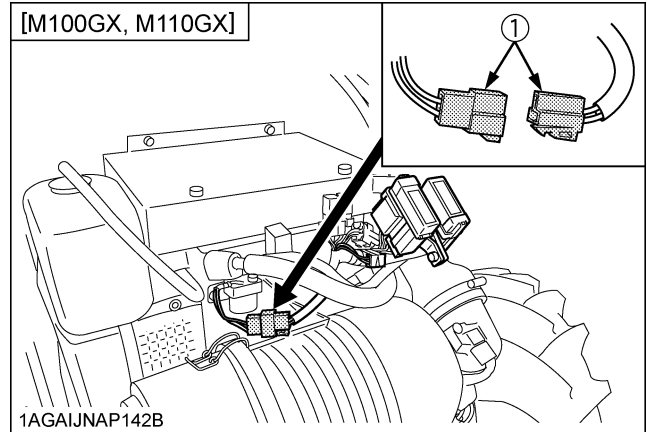
1. Fill the fuel tank with fuel, and open the fuel cock.



(1) Fuel cock

(A) "CLOSE"
(B) "OPEN"

2. Disconnect the heater connector.



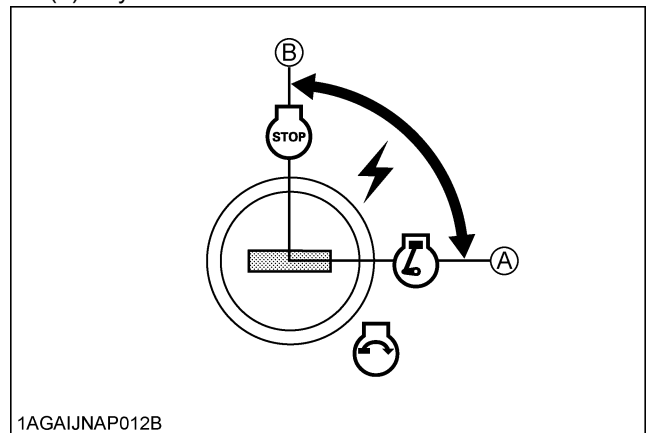
(1) Connector

IMPORTANT :

- Do not try air-bleeding with the heater in operation. Otherwise the battery may get damaged.

3. Turn ON and OFF the key switch repeatedly 10 times or so at the following intervals. This lets the air out of the fuel line.

- (1) Key switch ON time: 30 seconds
- (2) Key switch OFF time: 15 seconds



(1) Key switch

(A) "ON"
(B) "OFF"

4. Connect the heater connector.

5. Set the hand throttle lever at the maximum speed position, turn the key switch to start the engine and then reset the throttle lever at the mid speed (around 1500 rpm) position.

If engine doesn't start, try it several times at 30 second intervals.

IMPORTANT :

- Do not hold key switch at engine start position for more than 10 seconds continuously. If more engine cranking is needed, try again after 30 seconds.

6. Accelerate the engine to remove the small portion of air left in the fuel system.

7. If air still remains and the engine stops, repeat the above steps.

■ Bleeding Brake System

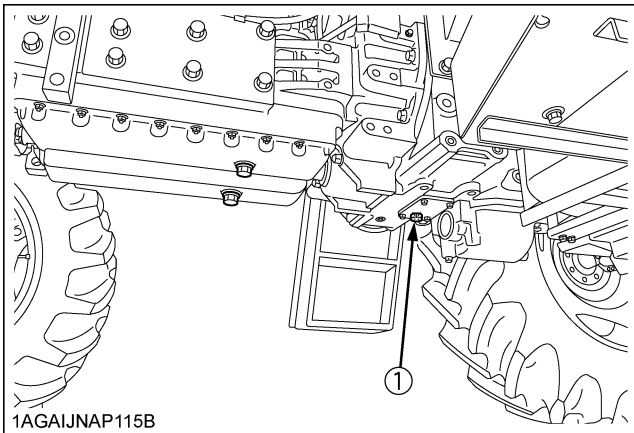
Consult your local KUBOTA Dealer for this service.

■ Draining Clutch Housing Water

The tractor is equipped with a drain plug under the clutch housing.

After operating in rain, snow or if the tractor has been washed, water may get into the clutch housing.

Remove the drain plug and drain the water, then install the plug again.



(1) Water drain plug

■ Replacing Fuse

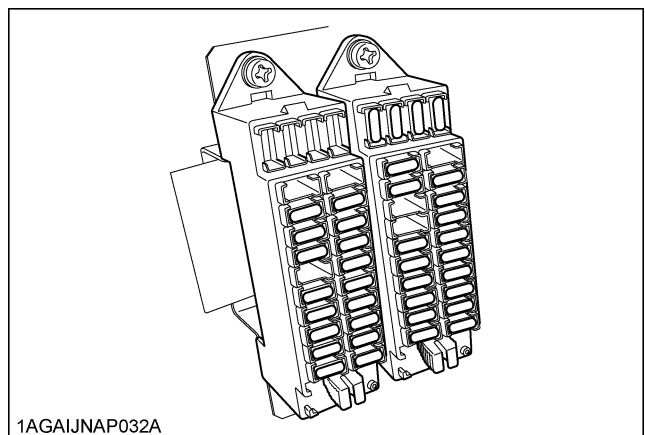
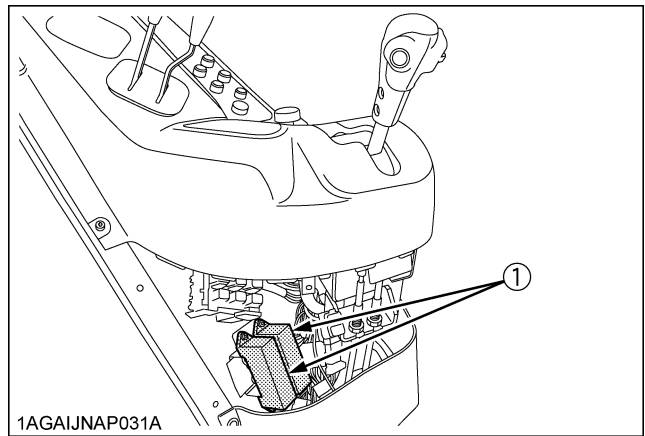
The tractor electrical system is protected from potential damage by fuses.

A blown fuse indicates that there is an overload or short somewhere in the electrical system.

If any of the fuses should blow, replace with a new one of the same capacity.

IMPORTANT :

- Before replacing a blown fuse, determine why the fuse blew and make any necessary repairs. Failure to follow this procedure may result in serious damage to the tractor electrical system. Refer to the "TROUBLESHOOTING" section of this manual or your local KUBOTA Dealer for specific information dealing with electrical problems.



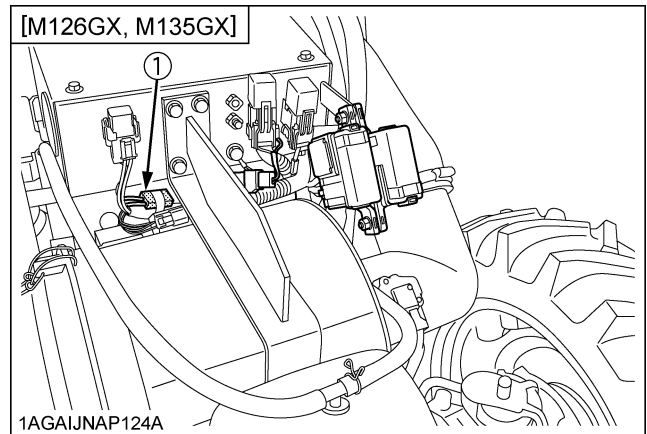
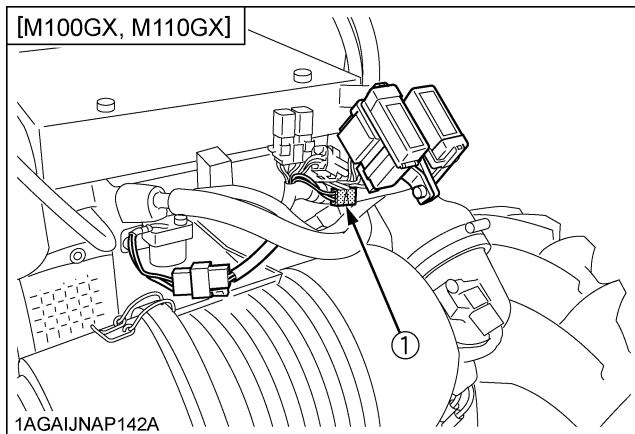
(1) Fuse box

◆ Protected circuit

		[5A] Spare	[10A] Spare	[15A] Spare	[20A] Spare
		[15A] Work light (Cabin side)			
[10A] ECU (Suspension)*1	[5A] Switch (Transmission control)	[15A] Work light (Front upper)	[15A] Head lamp		
[5A] ECU (Switch)	[5A] Switch (Hitch control)		[30A] Air conditioner fan motor		
[20A] Defogger	[10A] ECU (Main)		[10A] Air conditioner compressor		
	[5A] Main meter	[10A] Option lamp	[15A] Tail lamp		
[10A] Brake lamp	[5A] 4WD, Bi-speed, Differential lock	[15A] Work light (Rear)	[15A] Hazard		
[5A] Radio	[5A] Engine control, PTO valve	[10A] Work light (Bonnet)	[10A] Dome light, Radio		
[5A] Air conditioner (Fan control)	[10A] Turn signal	[15A] Seat compressor	[10A] Horn		
[15A] Wiper	[15A] Loader power aux socket	[15A] Cigarette socket	[5A] Glow relay		
[5A] Starter relay	[5A] LCD monitor	[15A] Work light (Option)	[5A] Back up (ECU, Meter)		

NOTE :

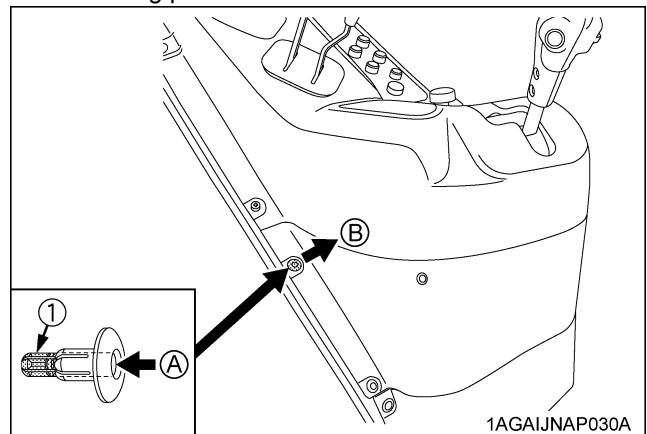
*1 Depending on the specification, this fuse is not equipped.



(1) Fuse (20A): CRS POWER

◆ How to attach and detach the push-rivet assy.

● Detaching procedure

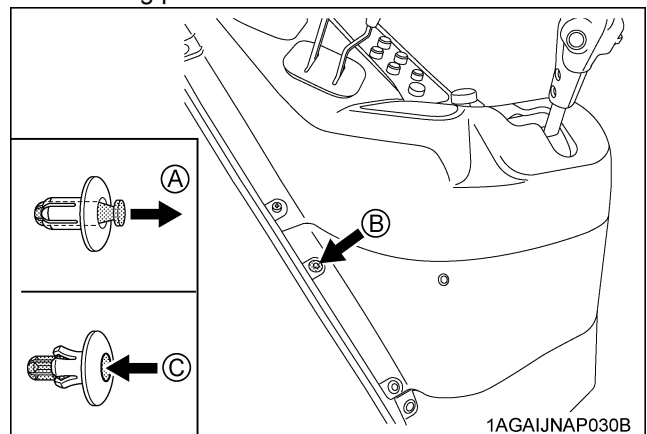


(1) Center-rivet

(A) Push in the center-rivet.

(B) Pull out the push-rivet assy.

● Attaching procedure



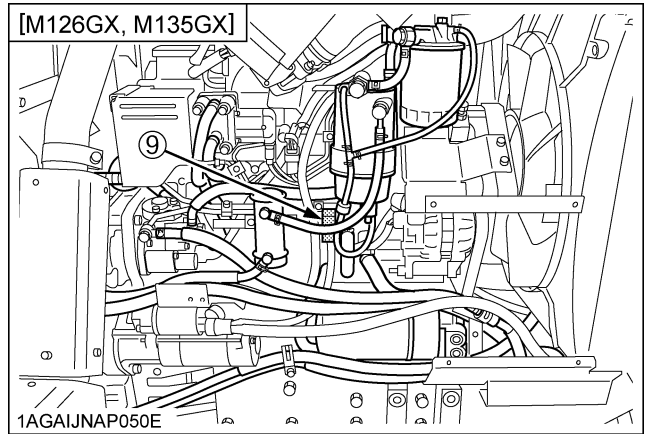
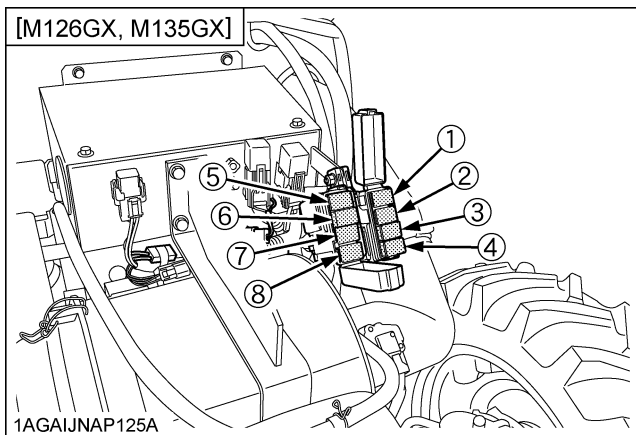
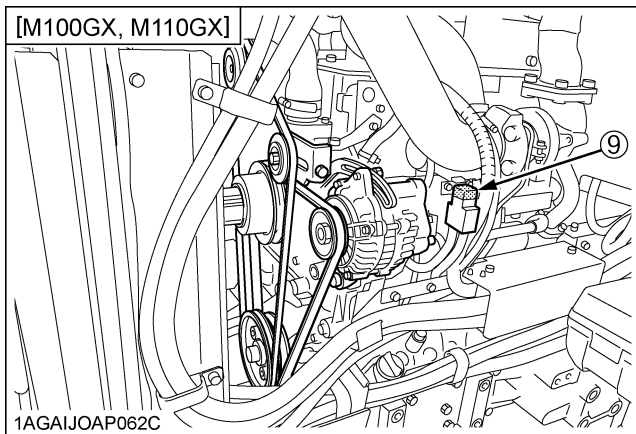
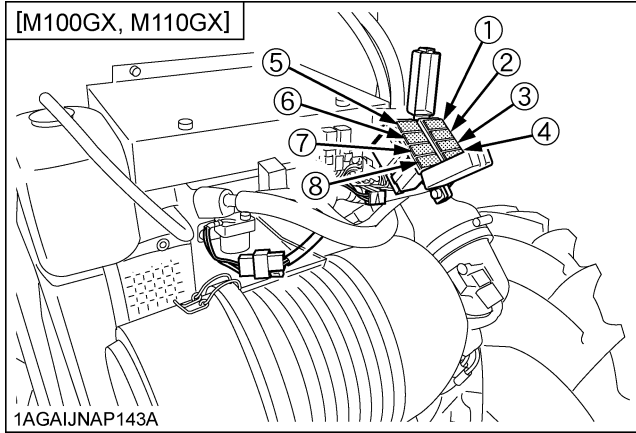
(A) Pull out the center-rivet.

(B) Attach the push-rivet assy.

(C) Push the center-rivet.

■ Replacing Slow-Blow Fuses

The slow-blow fuses are intended to protect the electrical cabling. If any of them has blown out, be sure to pinpoint the cause. Never use any substitute, use only a KUBOTA genuine part.



No.	Capacity	Protected circuit	Type
1	40A	Defogger	Non bolt fixed
2	30A	Electrical outlet	
3	40A	Work light (Rear)	Bolt fixed
4	120A [M100GX, M110GX]	Engine preheat	
	40A [M126GX, M135GX]	Work light (Hood) Head lamp	
5	40A [M100GX, M110GX]	Work light (Hood) Head lamp	
	60A [M126GX, M135GX]	Engine preheat	
6	40A	Compressor	Non bolt fixed
7	30A	Hazard	
8	30A	Main key switch	
9	140A	Alternator	Bolt fixed

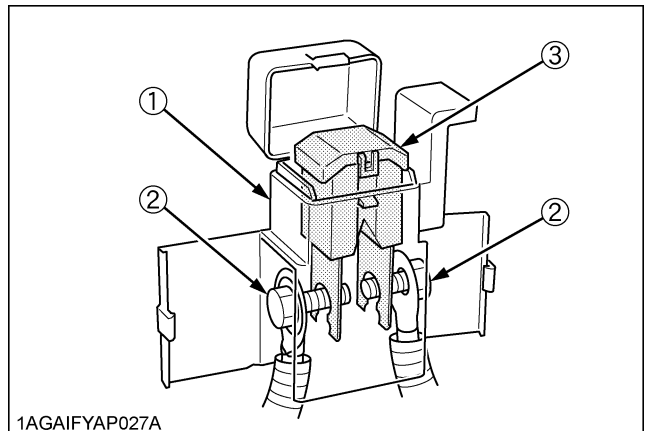
◆ Replacement procedure

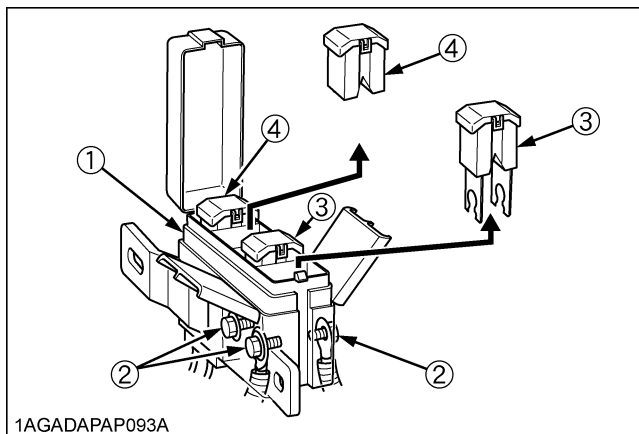
[Non bolt fixed slow-blow fuse:]

1. Disconnect the negative cord of the battery.
2. Pull out the fuse from the fuse box.
3. Replace with a new one of the same capacity.

[Bolt fixed slow-blow fuse:]

Consult your local KUBOTA Dealer for this service.





- (1) Fuse box
- (2) Bolt
- (3) Bolt fixed slow-blow fuse
- (4) Non bolt fixed slow-blow fuse

■ Replacing Light Bulb

1. Head light
Take the bulb out of the light body and replace with a new one.
2. Other lights
Detach the lens and replace the bulb.

Light	Capacity
Head light	60 / 55 W
Turn signal light (Front)	21 W
Turn signal light (Rear)	21 W
Position light (Front)	5 W
Stop light / Position light (Rear)	21 / 10 W
Work light (Hood)	35 W
Work light (CAB)	35 W
Dome light (Room lamp)	5 W
Instrument panel light	3 W
Easy checker	1.4 W

■ Replacing Head Lamp

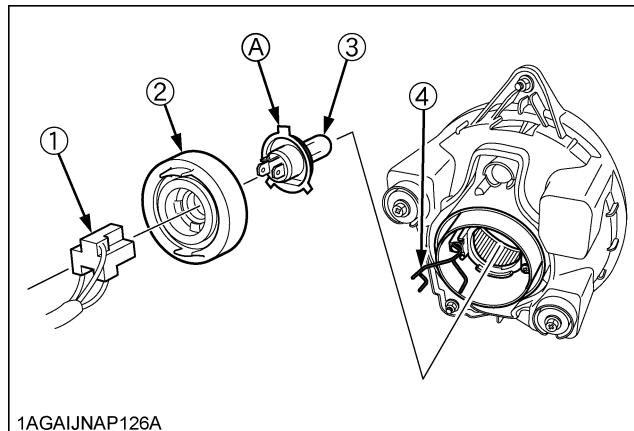


CAUTION

To avoid personal injury:

- Be careful not to drop the bulb, hit anything against the lamp, apply excess force, and get the lamp scratched. If broken, glass may cause injury. Pay more attention to halogen lamps in particular, which have high pressure inside.
- Before replacing the lamp, be sure to turn off the light and wait until the bulb cools down, otherwise, you may get burned.

1. While pushing the right and left lock buttons, pull and remove the electrical connector.
2. Remove the rubber boot.
3. Remove the clamping fixture and take out the bulb.
4. Replace with a new bulb and reinstall the head lamp assembly in the reverse order.

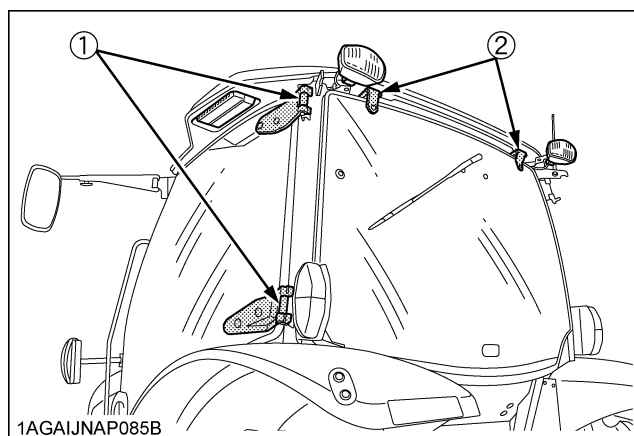


- (1) Electrical connector
- (2) Rubber boot
- (3) Bulb
- (4) Clamping fixture
- (A) "Base's wider projection to face upward"

IMPORTANT :

- Be sure to use a new bulb of the specified wattage.
- Never touch the bulb surface (glass) with bare hands. Fingerprints, for example, may break the bulb.

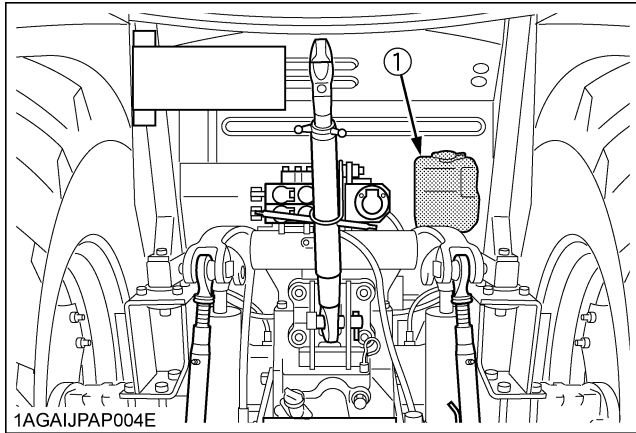
■ Lubricating Points



- (1) Door hinge
- (2) Rear window hinge

■ Adding Washer Liquid

Add a proper amount of automobile washer liquid.



(1) Washer liquid tank

Washer tank capacity	2.0 L
----------------------	-------

■ Checking the Amount of Refrigerant (gas)



WARNING

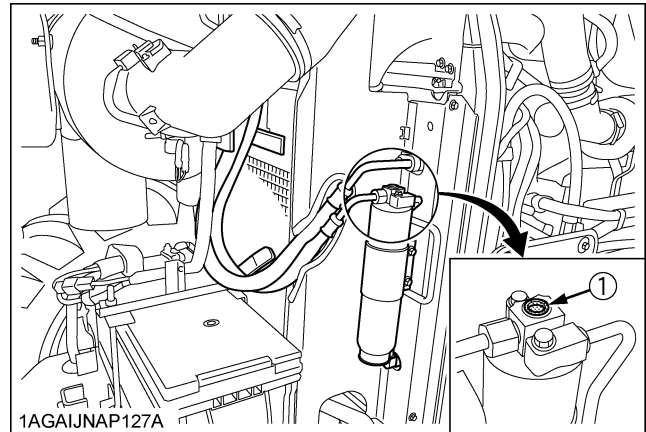
To avoid personal injury:

- Liquid contact with eyes or skin may cause frostbite.
- In the event of a leakage, wear safety goggles. Escaping refrigerant can cause severe injuries to eyes.
- In contact with a flame, R134a refrigerant gives a toxic gas.
- Do not disconnect any part of the refrigeration circuit of the air conditioning system. Consult your local KUBOTA Dealer for assistance and service.

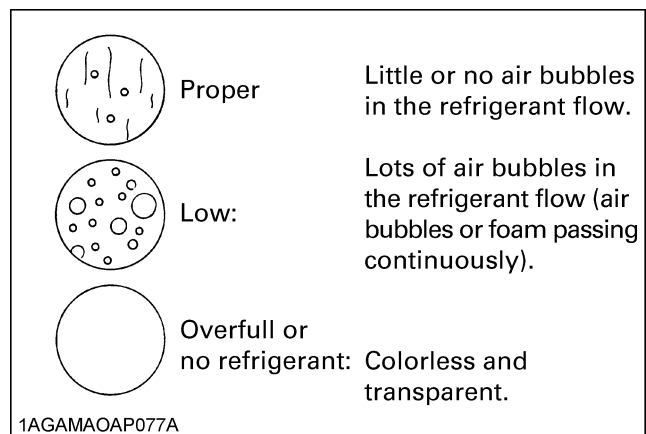
A shortage of refrigerant impairs the air-conditioner performance. Check the following points. If it is indicated that the amount of refrigerant is extremely low, ask your dealer to inspect and charge.

◆ Checking procedure

1. Run the air-conditioner in the following conditions.
 - Engine speed: About 1500 rpm
 - Temperature control lever: Maximum cooling position (leftmost)
 - Fan switch: Highest blow (HI)
 - Air-conditioner switch: ON
2. Look into the sight glass to see if the refrigerant is flowing through its circuit.



(1) Sight glass



IMPORTANT :

- Charge only with R134a not R12 refrigerant (gas).

STORAGE



CAUTION

To avoid personal injury:

- Do not clean the machine while the engine is running.
- To avoid the danger of exhaust fume poisoning, do not operate the engine in a closed building without proper ventilation.
- When storing, remove the key from the key switch to avoid unauthorized persons from operating the tractor and getting injured.

TRACTOR STORAGE

If you intend to store your tractor for an extended period of time, follow the procedures outlined below.

These procedures will insure that the tractor is ready to operate with minimum preparation when it is removed from storage.

1. Check the bolts and nuts for looseness, and tighten if necessary.
2. Apply grease to tractor areas where bare metal will rust also to pivot areas.
3. Detach the weights from the tractor body.
4. Inflate the tires to a pressure a little higher than usual.
5. Change the engine oil and run the engine to circulate oil throughout the engine block and internal moving parts for about five minutes.
6. Keep the PTO clutch control switch or lever at "DISENGAGE" position while tractor is stored for a long period of time.
7. With all implements lowered to the ground, coat any exposed hydraulic cylinder piston rods with grease.
8. Park tractors equipped with the front suspension system with the suspension cylinders in the lowest position using manual control mode.
9. Remove the battery from the tractor. Store the battery following the battery storage procedures.
(See "Checking Battery Condition" in "EVERY 100 HOURS" in "PERIODIC SERVICE" section.)
10. Keep the tractor in a dry place where the tractor is sheltered from the elements. Cover the tractor.
11. Store the tractor indoors in a dry area that is protected from sunlight and excessive heat. If the tractor must be stored outdoors, cover it with a waterproof tarpaulin. Jack the tractor up and place blocks under the front and rear axles so that all four tires are off the ground. Keep the tires out of direct sunlight and extreme heat.

IMPORTANT :

- When washing the tractor, be sure to stop the engine. Allow sufficient time for the engine to cool before washing.

- Cover the tractor after the muffler and the engine have cooled down.

REMOVING THE TRACTOR FROM STORAGE

1. Check the tire air pressure and inflate the tires if they are low.
2. Jack the tractor up and remove the support blocks from under the front and rear axles.
3. Install the battery. Before installing the battery, be sure it is fully charged.
4. Check the fan belt tension.
5. Check all fluid levels (engine oil, transmission/hydraulic oil, engine coolant and any attached implements).
6. Start the engine. Observe all gauges. If all gauges are functioning properly and reading normal, move the tractor outside. Once outside, park the tractor and let the engine idle for at least five minutes. Shut the engine off and walk around tractor and make a visual inspection looking for evidence of oil or water leaks.
7. With the engine fully warmed up, release the parking brake and test the brakes for proper adjustment as you move forward. Adjust the brakes as necessary.

TROUBLESHOOTING

ENGINE TROUBLESHOOTING

If something is wrong with the engine, refer to the table below for the cause and its corrective measure.

Trouble		Cause	Countermeasure
Engine is difficult to start or won't start.		<ul style="list-style-type: none"> No fuel flow. 	<ul style="list-style-type: none"> Check the fuel tank and the fuel filter. Replace filter if necessary.
		<ul style="list-style-type: none"> Air or water is in the fuel system. 	<ul style="list-style-type: none"> Check to see if the fuel line coupler bolt and nut are tight. Bleed the fuel system (See "Bleeding Fuel System" in "SERVICE AS REQUIRED" in "PERIODIC SERVICE" section.)
		<ul style="list-style-type: none"> In winter, oil viscosity increases, and engine revolution is slow. 	<ul style="list-style-type: none"> Use oils of different viscosities, depending on ambient temperatures. Use engine block heater (Optional)
		<ul style="list-style-type: none"> Battery becomes weak and the engine does not turn over quick enough. 	<ul style="list-style-type: none"> Clean battery cables & terminals. Charge the battery. In cold weather, always remove the battery from the engine, charge and store it indoors. Install it on the tractor only when the tractor is going to be used.
		[M100GX, M110GX] <ul style="list-style-type: none"> Intake air heater system trouble. 	<ul style="list-style-type: none"> Check to see if the slow blow fuse of the intake air heater blows. Check to see if the intake air heater functions in cold weather.
		[M126GX, M135GX] <ul style="list-style-type: none"> Preheat (glow plug) system trouble. 	<ul style="list-style-type: none"> Check to see if the slow blow fuse of the preheat (glow plug) blows. Check to see if the preheat (glow plug) functions in cold weather.
Insufficient engine power.		<ul style="list-style-type: none"> Insufficient or dirty fuel. The air cleaner is clogged. 	<ul style="list-style-type: none"> Check the fuel system. Clean or replace the element.
Engine stops suddenly.		<ul style="list-style-type: none"> Insufficient fuel. 	<ul style="list-style-type: none"> Refuel. Bleed the fuel system if necessary.
Exhaust fumes are colored.	Black	<ul style="list-style-type: none"> Fuel quality is poor. Too much oil. The air cleaner is clogged. 	<ul style="list-style-type: none"> Change the fuel and fuel filter. Check the proper amount of oil. Clean or replace the element.
	Blue white	<ul style="list-style-type: none"> The inside of exhaust muffler is dumped with fuel. Injection nozzle trouble. Fuel quality is poor. 	<ul style="list-style-type: none"> Check to see if the intake air heater functions in cold weather. Heat the muffler by applying load to the engine. Check the injection nozzle. Change the fuel and fuel filter.

Trouble	Cause	Countermeasure
Engine overheats	● Engine overloaded	● Shift to lower gear or reduce load.
	● Low coolant level	● Fill cooling system to the correct level; check radiator and hoses for loose connections or leaks.
	● Loose or defective fan belt	● Adjust or replace fan belt.
	● Dirty radiator core or grille screens	● Remove all trash.
	● Coolant flow route corroded	● Flush cooling system. ● Check to see if the fan drive is on. (if equipped)

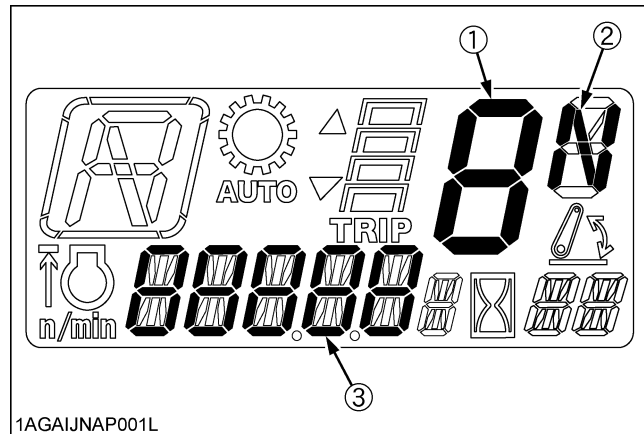
If you have any questions, contact your local KUBOTA Dealer.

Trouble	Operator's action
Engine not overheated, but engine warning indicator on.	<p>Stop the engine and get it restarted. If the engine fails to restart or the indicator stays on, immediately contact your local KUBOTA dealer. If the warning indicator lights up, the following phenomena may appear depending on the engine's trouble spot.</p> <ul style="list-style-type: none"> ● The engine stops unexpectedly. ● The engine fails to start or gets interrupted just after start. ● The engine output is not enough. ● The engine output is enough, but the warning indicator stays on.

If you have any questions, contact your local KUBOTA Dealer.

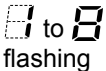



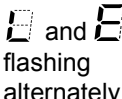
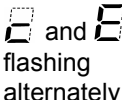
POWER SHIFT/RANGE SHIFT TROUBLE SHOOTING


If something is wrong with the power shift / range shift, an alarm sounds or the error code shown below is displayed on the liquid crystal display, indicating the location of the trouble. If an error code appears, immediately contact your local KUBOTA Dealer for repairs. Depending on the parts of the trouble, tractor can be used with some restriction as emergency measure. For details, check the error code and operator's action columns.



- (1) Power shift number display area
 (2) Range shift position display area
 (3) Engine speed display area

Displayed error code		Alarm buzzer	Condition	Operator's action
Power shift number display area	Engine speed display area			
and 	E-R51	3 consecutive tones	<ul style="list-style-type: none"> ● Clutch is operated. ● Hydraulic switch (master) trouble. ● Proportional solenoid valve (master) trouble. 	Contact your local KUBOTA Dealer. (If necessary, move the range shift lever to L. The machine can travel at any of 1st to 8th gears.)
and 	E-R20	3 consecutive tones	<ul style="list-style-type: none"> ● Trouble with the output voltage of the clutch pedal sensor. ● Clutch pedal sensor trouble. 	Contact your local KUBOTA Dealer. (If necessary, move the range shift lever to N (in the L side) first and then to L. The machine can travel at any of 1st to 8th gears.)
	E-R37	3 consecutive tones	<ul style="list-style-type: none"> ● Proportional solenoid valve (master) trouble. 	Contact your local KUBOTA Dealer. (The machine cannot travel.)
---	---	---	<ul style="list-style-type: none"> ● Shuttle switch (F/R) trouble. ● Shuttle F/R is not displayed. 	Contact your local KUBOTA Dealer. (The machine cannot travel.)

Displayed error code		Alarm buzzer	Condition	Operator's action
Power shift number display area	Engine speed display area			
	E-R31 to 36	3 consecutive tones	<ul style="list-style-type: none"> ● Trouble with the relevant solenoid valve. ● Proportional solenoid valve (range shift L/H) trouble. 	Contact your local KUBOTA Dealer. (If necessary, move the range shift lever to N. The machine can travel at any of gears which is not flashing.)
	E-R45 to 50 E-R52 to 55	---	<ul style="list-style-type: none"> ● Trouble with a hydraulic switch that is not related to the flashing gear speed. ● Hydraulic switch trouble. ● Main spool trouble 	Contact your local KUBOTA Dealer. (If necessary, move the range shift lever to N first and then to L, H or M again. The machine can travel.)
	E-R38 to 44	3 consecutive tones	<ul style="list-style-type: none"> ● Shifting is performed using the shift buttons. ● Hydraulic switch trouble. ● Main spool trouble. 	Contact your local KUBOTA Dealer. (If necessary, move the range shift lever to N first and then to L, H or M again. The machine can travel.) (Machine gear position return to the position before shifting.)
	E-R44	3 consecutive tones	<ul style="list-style-type: none"> ● Started by operation of the shift buttons, shuttle lever, and clutch pedal. ● Trouble with master clutch hydraulic switch trouble. ● Low system hydraulic pressure. 	Contact your local KUBOTA Dealer. (The machine cannot travel.)
	---	Consecutive tones	<ul style="list-style-type: none"> ● Power shift lever is operated with the shuttle lever is in the F or R position, the clutch pedal is released and the shift lock is not turning on. 	Move the range shift lever to N.
	E-R51	3 consecutive tones	<ul style="list-style-type: none"> ● [L and 1 to 8] and shift lock switch trouble occur at the same time. 	Contact your local KUBOTA Dealer. (If necessary, move the range shift lever to L. The machine can travel at any of 1st to 8th gears.)
	E-R20	3 consecutive tones	<ul style="list-style-type: none"> ● [C and 1 to 8] and shift lock switch trouble occur at the same time. 	Contact your local KUBOTA Dealer. (If necessary, move the range shift lever to L. The machine can travel at any of 1st to 8th gears.)

Displayed error code		Alarm buzzer	Condition	Operator's action
Range shift position display area	Engine speed display area			
	---	---	<ul style="list-style-type: none"> ● Trouble with the output voltage of the power shift lever sensor. 	Contact your local KUBOTA Dealer. Flashes while driving. (The machine can travel.)

Note: If the hydraulic clutch gets in trouble, the gears may get shifted from the 1st to 2nd or slower speed automatically. This is to prevent the tractor from free-wheel. In such case, carefully move the tractor to a safe place, contact your local KUBOTA Dealer for repairs.

OPTIONS

Consult your local KUBOTA Dealer for further details.

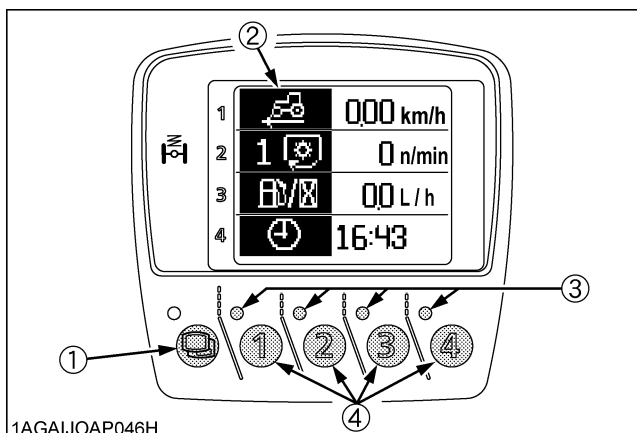
- Heavy Duty Fuel Tank Guard
- Front end weights
For front ballast
- Rear Wheel Weights
For rear ballast
- Creep Speed Kit
- 80" Wide Axle
- Instructional Seat
- Front Fender
- Double Acting Remote Hydraulic Control Valve with
Flow Position and Flow Control Functions
- Double Acting Remote Hydraulic Control Valve with
Detente, Self-Cancelling and Flow Control Functions
- 540 / 540E rpm PTO Speed Kit
- Front Work Light
High visibility for night work

APPENDICES

SIDE DIGITAL DISPLAY

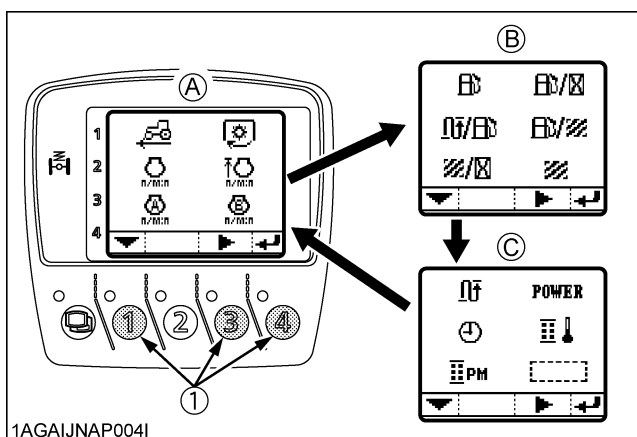
■ Changing the Information Displayed

- Just touch the mode selector switch on the usual screen, and the symbols are highlighted and the 4 indicators start flashing.
Press the switch (1 – 4) of a setting to change, and the relevant select screen shows up.











- Mode selector switch
- Symbol
- Indicator
- Switc












- Each time Switch 1 is pressed, the select screens A, B and C change alternately in this order.
Press Switch 3 to select the symbol of a setting to display.
Press Switch 4 to enter this mode and the other symbols appear.












- Switch
- "Select screen A"
- "Select screen B"
- "Select screen C"

Information Displayed and its Handling

Selected screen	Info	Display	Remarks	Ref. page
A	Travel speed	Travel speed  0,00 km/h	<ul style="list-style-type: none"> Shows the standard factory settings. Refer to the "Handling the side digital display" section. 	35
		Average travel speed  0,00 km/h		35
	PTO	PTO rpm (Shift 1) 1  540 %/min	<ul style="list-style-type: none"> Shows the standard factory settings. Refer to the "Handling the side digital display" section. 	66
		PTO rpm (Shift 2) 2  1000 %/min		66
	Engine rpm	 2200 %/min		-
	Upper-limit rpm setting	 1230 %/min		47
	Memory A rpm	 2000 %/min		47
	Memory B rpm	 1000 %/min		47

Selected screen	Info	Display	Remarks	Ref. page	
B	Total fuel consumption	Total fuel consumption  800 L	<ul style="list-style-type: none"> • Displays the total fuel consumption measured from the previous resetting. • The maximum value which can be displayed is 999.9 gallons or 999.9 liters. • Hold down the corresponding switch, and the setting goes back to "0.0". 	-	
	Mileage	Mileage	 150 L/h	<ul style="list-style-type: none"> • Shows the standard factory settings. Refer to the "Handling the side digital display" section. 	-
		Average fuel consumption	Av  10.0 L/h		-
		Mileage graph	 		-
	Work distance mileage (based on fuel consumption)	Instantaneous work distance fuel consumption	 1.00 km/L	<ul style="list-style-type: none"> • Each time the corresponding switch is pressed, the "instantaneous" and "average" are displayed alternately. • The "average" is measured based on the fuel consumption from the previous resetting. • With the "average" displayed, hold down the corresponding switch. The setting goes back to "0.0". 	-
		Average work distance fuel consumption	Av  1.23 km/L		-
	Work area mileage (based on fuel consumption)	Instantaneous work area fuel consumption	 5.0 L/ha	<ul style="list-style-type: none"> • Each time the corresponding switch is pressed, the "instantaneous" and "average" are displayed alternately. • The "average" is measured based on the fuel consumption from the previous resetting. • With the "average" displayed, hold down the corresponding switch. The setting goes back to "0.0". • (See *1.) 	-
		Average work area fuel consumption	Av  5.0 L/ha		-
	Work area operating efficiency (based on hourly coverage)	Instantaneous work area operating efficiency	 3.00 ha/h	<ul style="list-style-type: none"> • Each time the corresponding switch is pressed, the "instantaneous" and "average" are displayed alternately. • The "average" is measured based on the hourly coverage from the previous resetting. • With the "average" displayed, hold down the corresponding switch. The setting goes back to "0.0". • (See *1.) 	-
		Average work area operating efficiency	Av  3.45 ha/h		-

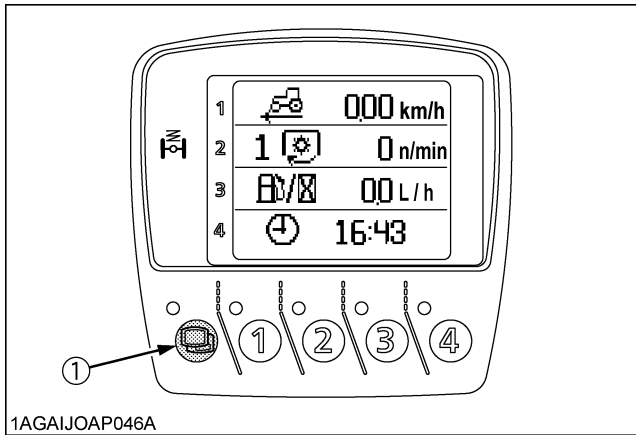
Selected screen	Info	Display	Remarks	Ref. page
B	Work area	 5000 ha	<ul style="list-style-type: none"> ● Displays the work area measured from the previous resetting. ● Hold down the corresponding switch. The setting goes back to "0.0". ● (See *1.) 	-

Selected screen	Info	Display	Remarks	Ref. page
C	Travel distance	 5000 km	<ul style="list-style-type: none"> ● Displays the travel distance measured from the previous resetting. ● Hold down the corresponding switch, and the setting goes back to "0". 	-
	Loading factor	Instantaneous loading factor POWER 70%	<ul style="list-style-type: none"> ● Each time the corresponding switch is pressed, the "instantaneous", "average" and "graph" are displayed alternately in this order. ● The "average" is measured based on the loading factor from the previous resetting. ● With the "average" displayed, hold down the corresponding switch. The setting goes back to "0". ● The "instantaneous loading factor graph" graphically displays the instantaneous loading factor in real time. (The more the bar is extended to the right, the higher the load becomes.) 	-
		Average loading factor Av POWER 60%		-
		Instantaneous loading factor graph POWER 		-
	Clock	Time  15:14	<ul style="list-style-type: none"> ● Shows the standard factory settings. Refer to the "Handling the side digital display" section. 	42
		Date  7/ 4/2012		152
	DPF temperature	 600 °C	<ul style="list-style-type: none"> ● Displays the DPF muffler temperature. 	14
	PM buildup	PM buildup  70%	<ul style="list-style-type: none"> ● Displays the PM buildup inside the DPF muffler. ● Regeneration is needed when the 100% level has been reached. ● Each time the corresponding switch is pressed, the "numerical value" and "graph" are displayed alternately. ● The more the bar is extended to the right, the more PM builds up. 	14
		PM buildup graph 		14
	Blank		<ul style="list-style-type: none"> ● Used to delete the information displayed. 	-

*1: In the various setting mode, preset the "Working range of implement". (Refer to the "Initial Setting" in "SIDE DIGITAL DISPLAY" in "OPERATING THE TRACTOR" section.) If not preset, correctly, incorrect data will be displayed.

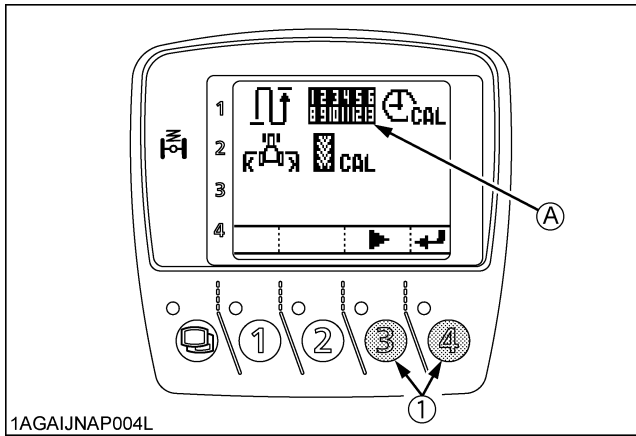
■ Displaying and Using the Work History

1. Turn on the key switch. Hold down the mode selector switch on the following screen, and various setting mode select screen appears.



(1) Mode selector switch

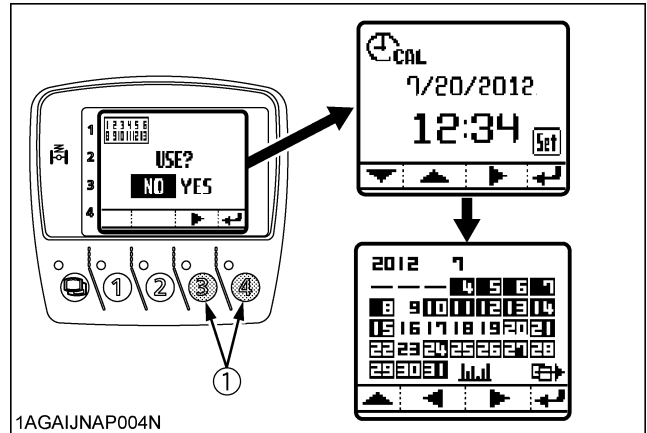
2. Press Switch 3 to select the work history mode. Press Switch 4, and the work history mode screen shows up.



(1) Switch

(A) "Work history mode"

3. Using Switch 3, select "YES". Press Switch 4, and the clock setting screen shows up. Set the clock, and the calendar screen appears instead.



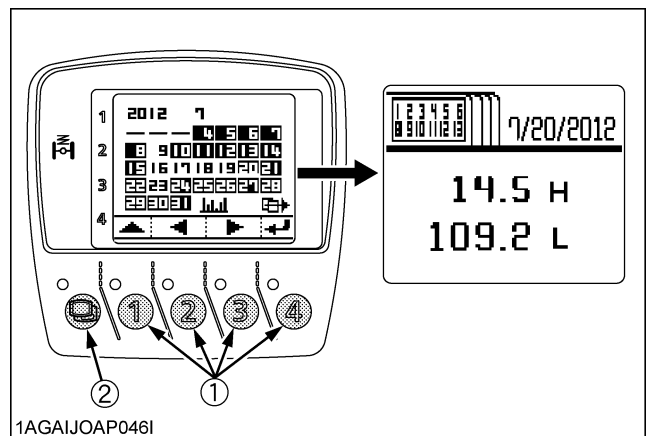
(1) Switch

◆ Viewing the calendar

White-numbered dates on black background	Operating days
Black-numbered dates on white background	Non-operating days
-	Non-recording days

4. Using Switches 2 and 3, select a date. Press Switch 4, and the day's operating hours and fuel consumption are displayed.

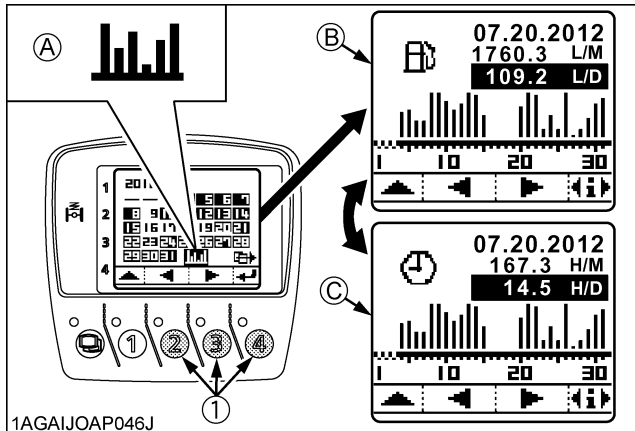
(Press the mode selector switch to go back to the calendar screen. Press Switch 1 on the calendar screen, and the previous month shows up. The data are recorded for the past 4 months.)



(1) Switch

(2) Mode selector switch

5. Using Switches 2 and 3, select the "graph". Press Switch 4, and the graph is displayed.

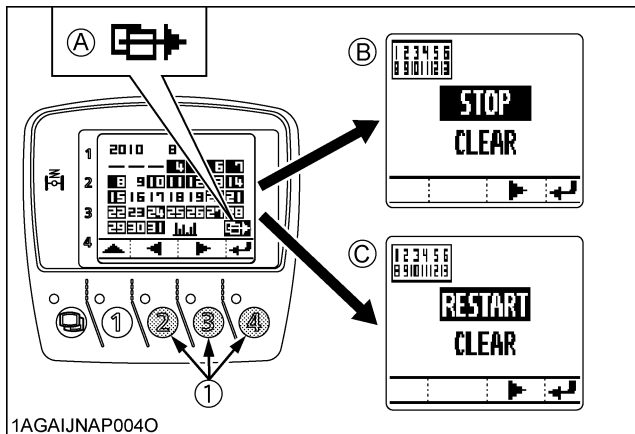


(1) Switch (A) "Graph"
(B) "Fuel consumption"
(C) "Operating hours"

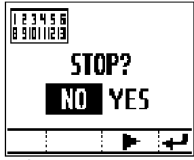

◆ Viewing the graph

- (1) Press Switch 4, and the fuel consumption and the operating hours are alternately displayed.
- (2) Fuel consumption:
The bar graph shows the day's fuel consumption. When a date is selected with Switch 2 or 3, the fuel consumption of the day and that of the month are digitally displayed.
- (3) Operating hours:
The bar graph shows the day's operating hour. When a date is selected with Switch 2 or 3, the operating hours of the day and that of the month are digitally displayed.

6. Using Switches 2 and 3, select the "page feed". Press Switch 4, and the work history's "stop" or "restart" screens appear.



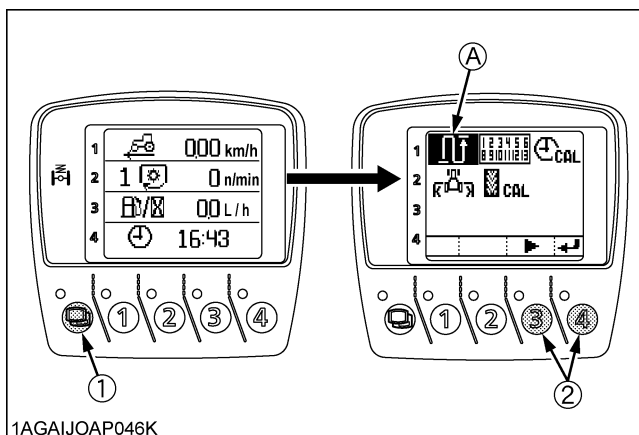
(1) Switch (A) "Page feed"
(B) "Stop (with work history enabled)"
(C) "Restart (with work history disabled)"

STOP	<p>Press Switch 3 to select "STOP". Press Switch 4, and the following confirmation screen appears. Select "YES" and press Switch 4, and the work history will stop and various setting mode screen shows up instead.</p>  <p style="text-align: center; font-size: small;">1AGAIJNAP004R</p>
RESTART	<p>Press Switch 3 to select "RESTART". Press Switch 4, and the clock setting screen shows up. Set the clock, and the work history will get restarted.</p>
CLEAR	<p>Press Switch 3 to select "CLEAR". Press Switch 4, and the following confirmation screen appears. Select "YES" and press Switch 4, and the work history will be cleared and get in initial state. Then various setting mode screen shows up instead.</p>  <p style="text-align: center; font-size: small;">1AGAIJNAP004S</p>

7. When the mode selector switch is pressed on the calendar screen, various setting mode screen shows up again. Press the same switch once more, and the usual mode screen is resumed.

■ Measuring the Distance

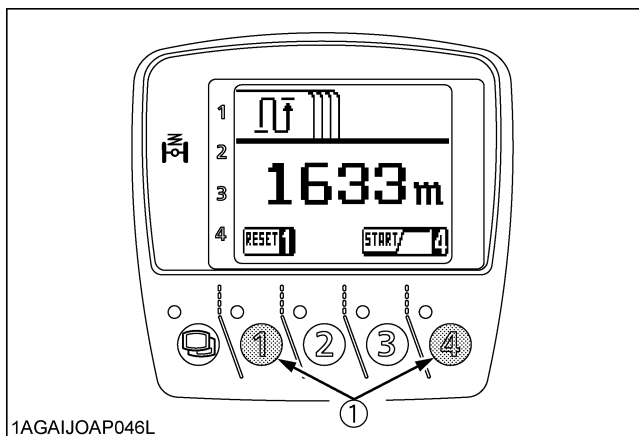
1. Hold down the mode selector switch on the usual screen, and various setting mode screen shows up. Press Switch 3 to select the distance measuring mode. Press Switch 4, and the distance measuring mode screen appears.



1AGAIJOAP046K

- (1) Mode selector switch (A) "Distance measuring mode"
 (2) Switch

2. Press Switch 1, and the distance data goes back to "0". Press Switch 4, and measuring the distance starts. Press this switch again to stop the measurement.

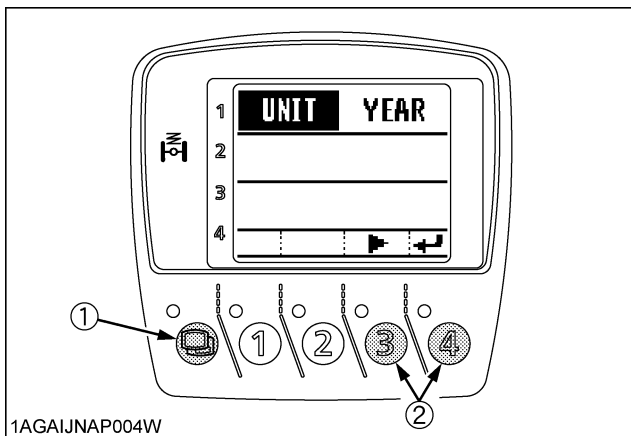


1AGAIJOAP046L

- (1) Switch

■ Changing the Units and Dates

1. While holding down the mode selector switch, turn on the key switch. The following screen appears.
2. Using Switch 3, select "UNIT" or "YEAR". Press Switch 4, and the setting screen shows up.

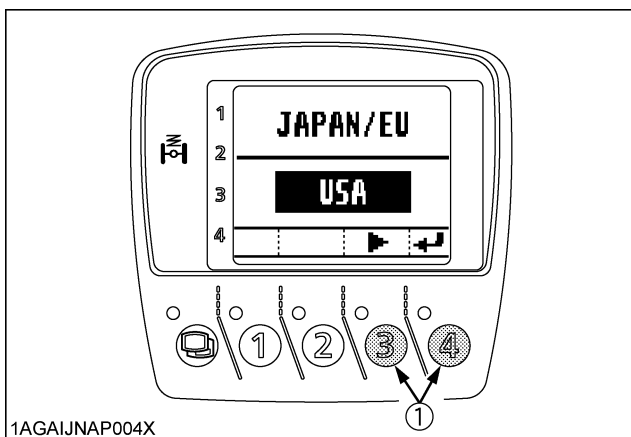


1AGAIJNAP004W

- (1) Mode selector switch
 (2) Switch

◆ Setting the units

Using Switch 3, select the units of "JAPAN/EU" or "USA". Press Switch 4 to save this setting.



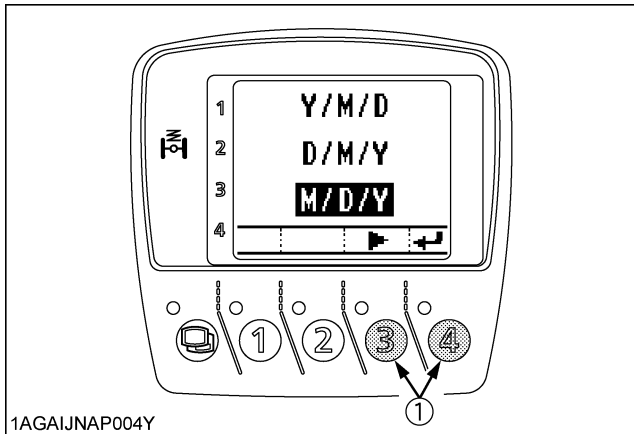
1AGAIJNAP004X

- (1) Switch

	Unit
JAPAN/EU	km, L, °C
USA	ft, gal, °F

◆ Setting the year

Using Switch 3, select the date to display. Press Switch 4 to enter this year.



(1) Switch

Y / M / D	Year / Month / Day
D / M / Y	Day / Month / Year
M / D / Y	Month / Day / Year

3. Press the mode selector switch, and the item select screen reappears.
4. Finally, turn off the key switch.

INDEX

3-P. Quick Raise / Lower Switch	79	DPF Differential Pressure Sensor Pipe	131
3-Point Hitch Lowering Lock Lever.....	78	DPF Muffler	109
3-Point Hitch Lowering Speed Adjustment		DPF Muffler	131
Dial	78	DPF Regeneration Process	15
3-Point Hitch's Position Lock.....	80	Drawbar	70
4WD / Bi-speed Turn Switch [4WD model]	38	Drawbar Length	74
Accumulator	130	Dual Tires	84
Air Cleaner Primary Element.....	113	Easy Checker(TM).....	40
Air Cleaner Primary Element and		EGR Cooler	130
Secondary Element.....	131	EGR Pipe.....	131
Air Conditioner Hose	134	EGR System.....	131
Air Control Vent.....	93	Electrical Outlet	96
Air-Conditioner Belt Tension	122	Emergency Exit	91
Air-Conditioner Pipe and Hose.....	131	Engine Oil	123
Airflow.....	92	Engine Oil Filter	124
Anti-Freeze.....	132	Engine Oil Level	106
Auto-Mode Setting.....	56	Engine Start System.....	110
Battery Condition.....	116	Engine Valve Clearance	130
Beacon Light Switch.....	97	Equalizer Kit	134
Block Heater (if equipped).....	26	Evacuator Valve	107
Boost Sensor Hose	133	Exhaust Manifold	131
Bottom Limit Control Dial.....	78	Extendable Mirror	31
Brake Hose.....	133	Fan / Air-conditioner Belt Tension	124
Brake Pedal.....	109	Fan Belt Tension	114
Brake Pedal.....	115	Field Speed	55
Brake Pedals (Right and Left)	33	Float Control	77
Brake Seal 1 and 2.....	134	Flow rate	81
Brake System	135	Foot Throttle	39
CAB Isolation Cushion	131	Fresh Air Filter	121
Clutch Hose.....	133	Front Axle Gear Case Oil	129
Clutch Housing Water	135	Front Axle Pivot	130
Clutch Pedal	34	Front Ballast	88
Constant RPM Management Control	50	Front Differential Case Oil	129
Control Panel.....	93	Front Wheel Differential Lock Switch.....	63
Coolant Level	106	Front Wheel Turning Stopper Bolt	86
Coolant Temperature Gauge.....	41	Front Wheels (with four wheel drive)	85
Cooling System and Coolant.....	131	Front Wiper / Washer Switch	91
Creep Lever (if equipped).....	37	Fuel Filter.....	126
DHC switch.....	36	Fuel Filter.....	130
Diesel Oxidation Catalyst and Diesel		Fuel Gauge.....	41
Particulate Filter (DPF) Muffler.....	14	Fuel Hose	133
Differential Lock.....	62	Fuel Injector Nozzle Tip.....	130
Differential Lock Hose	133	Fuel Line.....	114
Distance	152	Fuel Solenoid Pump Element	127
Do not Operate the Tractor at Full Speed		Fuel System.....	134
for the First 50 Hours.....	28	Fuel Tank Water	120
Dome Light.....	91	Fuse.....	135
Door.....	90	Gauges, Meter and Easy Checker(TM).....	109
Door.....	90	Grease Fittings	111
DPF Differential Pressure Sensor Hose.....	133	Grill, Radiator and Screen	107
		Hand Throttle Lever	39
		Handling Points	15

Head Lamp.....	138	Power Steering Line	119
Head Light, Turn Signal / Hazard Light etc.	109	Pre-Fuel Filter	126
Holes of Lower Links	70	PTO Clutch Control Switch	66
Hood.....	104	PTO Gear Shift Lever	67
Horn Button	32	PTO Gear Shift Lever	68
Hour / Trip Monitor	41	PTO Shaft Cover and Shaft Cap	68
Hydraulic Control Unit Use Reference Chart..	83	Quick Hitch (Hook type).....	72
Hydraulic Oil Filter	122	Radiator Hose (Water pipes)	133
Immediately Stop the Engine if:.....	39	Radiator Hose and Clamp	117
Inflation Pressure	84	Rear Ballast	89
Information Displayed.....	146	Rear Wheel Differential Lock Pedal.....	63
Information Displayed and its Handling.....	147	Rear Wheels.....	87
Initial Setting.....	42	Rear Window	90
Inner Air Filter.....	121	Rear Wiper / Washer Switch	92
Instructional Seat.....	30	Refrigerant (gas).....	139
Intake Air Heater	131	Refueling	105
Intake Air Line	119	Regeneration Operating Procedure.....	17
Intake Air Line	133	Regeneration Operating Procedure.....	19
King-pin Pivot	130	Remote Control Valve	80
Lateral Float	70	Remote Control Valve Coupler Connecting and Disconnecting	81
Lift Arm Top Limit Adjustment Dial.....	78	Remote Control Valve Lever	80
Lift Cylinder Hose	134	Remote Couplers Spillage Collector.....	82
Lifting Rod (Left).....	71	Remote Hitch UP / DOWN Switch.....	71
Lifting Rod (Right)	71	Rev-limiter Control Dial.....	39
Light Bulb	138	Rev-limiter Control Setting.....	47
Light Switch	31	Ride Condition Damper Switch.....	61
Lubricating Points.....	138	RPM Dual Memory Setting	47
Manual Control Mode	61	Screen Display	44
Master Cylinder Kit.....	134	Seat Belt	30
Mixed Draft Control Mode	77	Seat Belt	109
Mode Selector Switch.....	76	Sensitivity Adjustment	56
Movable Parts	109	Shuttle Lever	37
Oil Cooler Line.....	119	Side Cover.....	104
Oil Cooler Line.....	133	Slow-Blow Fuses	137
Oil for New Tractors	28	Steering Adjustment	31
Operating on Slopes and Rough Terrain.....	64	Stopping	39
Operating the Tractor on a Road.....	64	Sun Roof.....	91
Operation.....	53	Supply Pump	130
Operation.....	94	Suspension Hose	134
Operator's Seat	28	Suspension Switch	59
Outline	51	Swing Drawbar	74
Outline	59	Tachometer	41
Parking	62	Telescopic Stabilizers	72
Parking Brake Cable	133	Terminology.....	75
Parking Brake Lever.....	39	Tie-rod Dust Cover	111
Parking Brake Lever.....	115	Tips on DPF Regeneration	21
PM Warning Level and Required Procedures	18	Toe-in	120
PM Warning Level and Required Procedures	20	Top Link.....	72
Position Control Mode.....	76	Top Link Mounting Holes.....	70
Power Shift / Range Shift Lever (PS. Lever) ..	35	Trailer Connector.....	32
Power Steering.....	64	Trailer Electrical Outlet	65
Power Steering Hose	133		

Transmission Fluid	128
Transmission Fluid Level.....	106
Transport the Tractor Safely.....	64
Turbocharger.....	130
Turn Signal / Hazard Light Switch	31
Units and Dates	152
Walk Around Inspection	105
Warm-up and Transmission Oil at Low Temperature Range	26
Washer Liquid	139
Water Separator	105
Water Separator	126
Wheel Bolt Torque.....	111
Wipers in Cold Season.....	92
Work History	150
Work Light Switch (Front).....	32
Work Light Switch (Rear)	32
Work Speed Display	54