



U.S.A. : **KUBOTA TRACTOR CORPORATION**
3401 Del Amo Blvd., Torrance, CA 90503, U.S.A.
Telephone : (310)370-3370
Western Division : 1175 S. Guild Av., Lodi, CA 95240
Telephone : (209)334-9910
Central Division : 14855 FAA Blvd., Fort Worth, TX 76155
Telephone : (817)571-0900
Northern Division : 6300 at One Kubota Way, Groveport, OH 43125
Telephone : (614)835-1100
Southeast Division : 1025 Northbrook Parkway, Suwanee, GA 30024
Telephone : (770)995-8855
Canada : **KUBOTA CANADA LTD.**
5900 14th Avenue, Markham, Ontario, L3S 4K4, Canada
Telephone : (905)294-7477
France : **KUBOTA EUROPE S.A.S**
19-25, Rue Jules Vercey, Z.I. BP88, 95101 Argenteuil Cedex, France
Telephone : (33)1-3426-3434
Italy : **KUBOTA EUROPE S.A.S Italy Branch**
Via Grandi, 29 20068 Peschiera Borrome (MI) Italy
Telephone : (39)02-51650377
Germany : **KUBOTA (DEUTSCHLAND) GmbH**
Senefelder Str. 3-5 63110 Rodgau /Nieder-Roden, Germany
Telephone : (49)6106-873-0
U.K. : **KUBOTA (U.K.) LTD.**
Dormer Road, Thame, Oxfordshire, OX9 3UN, U.K.
Telephone : (44)1844-214500
Spain : **KUBOTA ESPAÑA S.A.**
Avenida Recomba No.5, Poligno Industrial la Laguna, Leganes, 28914 (Madrid) Spain
Telephone : (34)91-508-6442
Australia : **KUBOTA TRACTOR AUSTRALIA PTY LTD.**
25-29 Permas Way, Truganina, VIC 3029, Australia
Telephone : (61)-3-9394-4400
Malaysia : **SIME KUBOTA SDN. BHD.**
No.3 Jalan Sepadu 25/123 Taman Perindustrian Axis,
Seksyen 25, 40400 Shah Alam, Selangor Darul Ehsan Malaysia
Telephone : (60)3-736-1388
Philippines : **KUBOTA PHILIPPINES, INC.**
155 Panay Avenue, South Triangle Homes, 1103 Quezon City, Philippines
Telephone : (63)2-9201071
Taiwan : **SHIN TAIWAN AGRICULTURAL MACHINERY CO., LTD.**
16, Fengping 2nd Rd, Taliao Shiang Kaohsiung 83107, Taiwan R.O.C.
Telephone : (886)7-702-2333
Indonesia : **PT KUBOTA MACHINERY INDONESIA**
Tower A at EightyEight@Kasablanka Lantai 16
Jalan Raya Casablanka Kav. 88, Jakarta 12870 Indonesia
Telephone : (62)-21-29568-720
Thailand : **SIAM KUBOTA CORPORATION CO., LTD.**
101/19-24 Moo 20, Navanakorn Industrial Estate, Tambon Khlongnueng, Amphur Khlongluang,
Pathumthani 12120, THAILAND
Telephone : (66)2-909-0300
Korea : **KUBOTA KOREA CO., LTD.**
106-24 Mongsan-Ri, Mankyung-Up, Kimje-City, Chonrapuk-Do, KOREA
Telephone : (82)-63-544-5822
India : **KUBOTA AGRICULTURAL MACHINERY INDIA PVT. LTD.**
Regus, Level 2 Altius, Olympia Tech Park, No.1 SIDCO Industrial Estate, Guindy, Chennai 600032, TN, India
Telephone : (91)-44-4299-4237
Vietnam : **KUBOTA VIETNAM CO., LTD.**
Lot B-3A2-CN, My Phuoc 3 Industrial Park, Ben Cat District, Binh Duong Province, Vietnam
Telephone : (84)-650-3577-507

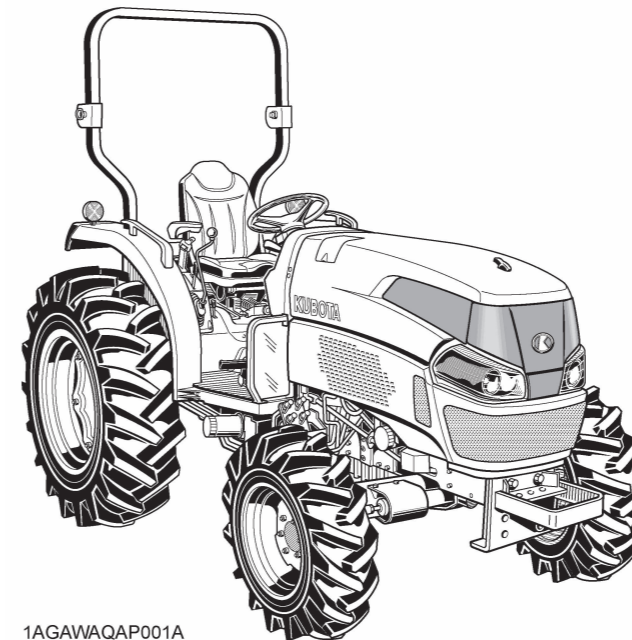
KUBOTA Corporation

English (Australia)
Code No. TD277-1974-1

OPERATOR'S MANUAL

KUBOTA TRACTOR

**MODELS L3240·L3540
L4240·L5240·L5740 with ROPS
L4240·L5240·L5740 with CAB**



1AGAWAQAP001A



1AGAWAWAP001A

L
3
2
4
0
·
L
3
5
4
0
·
L
4
2
4
0
·
L
5
2
4
0
·
L
5
7
4
0

READ AND SAVE THIS MANUAL



ABBREVIATION LIST

Abbreviations	Definitions
2WD	Two Wheel Drive
4WD	Four Wheel Drive
API	American Petroleum Institute
ASABE	American Society of Agricultural and Biological Engineers, USA
ASTM	American Society for Testing and Materials, USA
DIN	Deutsches Institut für Normung, GERMANY
DT	Dual Traction [4WD]
fpm	Feet Per Minute
GST	Glide Shift Transmission
Hi-Lo	High Speed-Low Speed
HST	Hydrostatic Transmission
m/s	Meters Per Second
PTO	Power Take Off
RH/LH	Right-hand and left-hand sides are determined by facing in the direction of forward travel
ROPS	Roll-Over Protective Structures
rpm	Revolutions Per Minute
r/s	Revolutions Per Second
SAE	Society of Automotive Engineers, USA
SMV	Slow Moving Vehicle

KUBOTA Corporation is ...

Since its inception in 1890, KUBOTA Corporation has grown to rank as one of the major firms in Japan.

To achieve this status, the company has through the years diversified the range of its products and services to a remarkable extent, until today, 19 plants and 16,000 employees produce over 1,000 different items, large and small.

All these products and all the services which accompany them, however, are unified by one central commitment. KUBOTA makes products which, taken on a national scale, are basic necessities. Products which are indispensable, products intended to help individuals and nations fulfill the potential inherent in their environment. For KUBOTA is the Basic Necessities Giant.

This potential includes water supply, food from the soil and from the sea, industrial development, architecture and construction, and transportation.

Thousands of people depend on KUBOTA's know-how, technology, experience and customer service. You too can depend on KUBOTA.

This operator's manual has been edited for global use. Please keep in mind, however, that some models discussed herein might not be available in your country.

FOREWORD

Thank you very much for choosing the L series tractor.

This operator's manual covers the operation, inspection and preventive maintenance instructions that is specific to the oceania models. For other information and instructions, refer to the separately issued operator's manual for the sister models. (L3240-3 to L5740-3)

Please read both manuals carefully, to operate the machine properly and safety.

Proper daily inspection, servicing and lubrication keeps your machine in good condition.



SAFETY FIRST

This symbol, the industry's "Safety Alert Symbol", is used throughout this manual and on labels on the machine itself to warn of the possibility of personal injury. Read these instructions carefully. It is essential that you read the instructions and safety regulations before you attempt to assemble or use this unit.



DANGER : Indicates an imminently hazardous situation which, if not avoided, will result in death or serious injury.



WARNING : Indicates a potentially hazardous situation which, if not avoided, could result in death or serious injury.



CAUTION : Indicates a potentially hazardous situation which, if not avoided, could result in minor or moderate injury.

IMPORTANT :

Indicates that equipment or property damage could result if instructions are not followed.

NOTE :

Gives helpful information.

CONTENTS

- SPECIFICATIONS..... 1
 - SPECIFICATION TABLE [HST Type]..... 1
 - SPECIFICATION TABLE [Manual Transmission Type]..... 3
 - TRAVELING SPEEDS 5
 - HST Type..... 5
 - Manual Transmission Type..... 5
- OPERATING THE TRACTOR..... 6
 - STARTING 6
 - Turn Signal / Hazard Light Switch 6
 - Horn Button..... 6
 - Tractor Lights..... 7
- HYDRAULIC UNIT..... 8
 - REMOTE HYDRAULIC CONTROL SYSTEM..... 8
 - Remote Control Valve..... 8
 - Remote Control Valve Lever..... 8
- TIRES, WHEELS AND BALLAST..... 9
 - TIRES..... 9
 - Inflation Pressure..... 9
 - Dual Tires 9
 - WHEEL ADJUSTMENT 9
 - Front Wheels (with 4 wheel drive) 10
 - Rear Wheels..... 11
- PERIODIC SERVICE..... 12
 - SERVICE AS REQUIRED..... 12
 - Replacing Fuse..... 12
 - Replacing Light Bulb..... 13

SPECIFICATIONS

SPECIFICATION TABLE [HST Type] [ROPS and CAB models]

Model			L3240	L3540	L4240	L5240	L5740
			4WD				
Engine	Model		D1703-M-E2-HST1	D1803-M-E2-HST1	V2203-M-E2-HST1	V2403-M-TE2-HST1	V2403-M-TE2-HST2
	Type		Indirect injection vertical, water-cooled, 4-cycle diesel				
	Number of cylinders		3		4		
	Total displacement	L	1.647	1.826	2.197	2.434	
	Bore and stroke	mm	87 x 92.4	87 x 102.4	87 x 92.4	87 x 102.4	
	Net power*	kW (HP)	23.9 (32.0)	26.1 (35.0)	31.3 (42.0)	38.8 (52.0)	42.5 (57.0)
	PTO power* (factory observed)	kW (HP)/ rpm	18.7 (25.1)/ 2700	20.9 (28.0)/ 2700	26.1 (35.0)/ 2700	33.6 (45.0)/ 2600	37.3 (50.0)/ 2700
	Maximum torque	N-m (kgf-m)	101.7 (10.4)	112.8 (11.5)	139.7 (14.2)	180.6 (18.4)	
	Battery capacity		12V, RC: 123min, CCA: 490A		12V, RC: 133 min, CCA: 582A		
Capacities	Fuel tank	L	44		50	54	
	Engine crankcase (with filter)	L	5.7	6.7	8.2	9.4	
	Engine coolant	L	6.0	7.5		8.2	
	Transmission case	L	42		43	45	
Dimensions	Overall length (without 3p)		mm	2960		3125	3250
	Overall width (min. tread)		mm	1520		1665	1570
	Overall height	with ROPS	mm	2385		2405	2490
		with CAB	mm	---		2295	2405
	Wheel base		mm	1805		1895	1915
	Min. ground clearance		mm	350		375	400
	Tread	Front	mm	1150		1145	1340
Rear		mm	1200, 1300, 1385, 1480		1285, 1435, 1530	1225, 1325, 1425, 1525	
Weight	with ROPS	kg	1540		1665	1745	
	with CAB	kg	---		1815	1920	

2 SPECIFICATIONS

Model			L3240	L3540	L4240	L5240	L5740
			4WD				
Traveling system	Standard tire size	Front	7-16		8-16	9.5-16	
		Rear	12.4-24		14.9-24	13.6-28	
	Clutch		Dry type single stage				
	Steering		Hydrostatic power steering				
	Transmission		Hydrostatic transmission (3 speeds)				
	Braking system		Wet disk type				
	Min. turning radius (with brake)		m	2.7			2.8
Hydraulic unit	Hydraulic control system		Position control				
	Pump capacity	L/min.	31.5		37.0	35.6	37.0
	3-point hitch		SAE category 1			SAE category 1, 2	
	Max. lift force	At lift points	kg	1700		1750	
		24 in. behind lift points	kg	1200		1250	1350
	System pressure		MPa (kgf/cm ²)	17.7 (180)			
PTO	Rear PTO			SAE 1-3/8, 6 splines			
		PTO/ Engine speed	rpm	540/2685		540/2640	540/2590
	MID-PTO (if equipped)			USA No.5 (KUBOTA 10-tooth) involute spline			
PTO/ Engine speed		rpm	2000/2715		2000/2670	2000/2615	

NOTE : *Manufacturer's estimate

The company reserve the right to change the specifications without notice.

SPECIFICATION TABLE [Manual Transmission Type]

[ROPS model]

Model			L3240
			4WD
Engine	Model		D1703-M-E2-GST1
	Type		Indirect injection vertical, water-cooled, 4-cycle diesel
	Number of cylinders		3
	Total displacement	L	1.647
	Bore and stroke	mm	87 x 92.4
	Net power*	kW (HP)	23.9 (32.0)
	PTO power* (factory observed)	kW (HP)/ rpm	19.8 (26.5)/2700
	Maximum torque	N-m (kgf-m)	101.7 (10.4)
	Battery capacity		12V, RC: 123min, CCA: 490A
Capacities	Fuel tank	L	44
	Engine crankcase (with filter)	L	5.7
	Engine coolant	L	6.0
	Transmission case	L	42
Dimensions	Overall length (without 3p)	mm	2960
	Overall width (min. tread)	mm	1520
	Overall height (with ROPS)	mm	2385
	Wheel base	mm	1805
	Min. ground clearance	mm	350
	Tread	Front	mm
Rear		mm	1200, 1300, 1385, 1480
Weight (with ROPS)		kg	1475
Traveling system	Standard tire size	Front	7-16
		Rear	12.4-24
	Clutch		Dry type single stage
	Steering		Hydrostatic power steering
	Transmission		8 forward and 8 reverse fully synchronized main and shuttle transmission
	Braking system		Wet disk type
	Min. turning radius (with brake)	m	2.7

4 SPECIFICATIONS

Model			L3240		
			4WD		
Hydraulic unit	Hydraulic control system		Position control		
	Pump capacity	L/min.	31.5		
	Three point hitch		SAE category 1		
	Max. lift force	At lift points	kg	1700	
		24 in. behind lift points	kg	1200	
System pressure		MPa (kgf/cm ²)	17.7		
PTO	Rear PTO			SAE 1-3/8, 6 splines	
		PTO/ Engine speed	rpm	540/2550	
	MID-PTO (if equipped)			USA No.5 (KUBOTA 10-tooth) involute spline	
		PTO/ Engine speed	rpm	2000/2580	

NOTE : *Manufacturer's estimate

The company reserve the right to change the specifications without notice.

TRAVELING SPEEDS

■ HST Type

(At rated engine rpm)

Model			L3240, L3540	L4240	L5240	L5740
Tire size (Rear)			12.4-24	14.9-24	13.6-28	
Speed control pedal	H-DS lever	Range gear shift lever	km/h			
Forward	L	L	3.5	3.6	3.4	3.6
		M	7.1	7.3	7.0	7.3
		H	15.0	15.5	14.9	15.5
	H	L	5.8	6.0	5.8	6.0
		M	11.8	12.3	11.8	12.2
		H	25.0	26.0	24.9	25.9
Reverse	L	L	3.1	3.2	3.1	3.2
		M	6.4	6.6	6.3	6.6
		H	13.5	13.9	13.4	13.9
	H	L	5.2	5.4	5.2	5.4
		M	10.6	11.0	10.6	11.0
		H	22.5	23.2	22.4	23.3

The company reserves the right to change the specifications without notice.

■ Manual Transmission Type

(At rated engine rpm)

Model			L3240
Tire size (Rear)			12.4 - 24
Shuttle shift lever	Range gear shift lever	Main gear shift lever	km/h
Forward	Low	1	1.6
		2	2.3
		3	3.7
		4	5.3
	High	1	7.7
		2	11.0
		3	17.8
		4	26.3
Reverse	Low	1	1.5
		2	2.2
		3	3.5
		4	5.1
	High	1	7.4
		2	10.5
		3	17.0
		4	25.1

The company reserves the right to change the specifications without notice.

OPERATING THE TRACTOR

STARTING

■ Turn Signal / Hazard Light Switch

◆ Turn Signal Light Switch

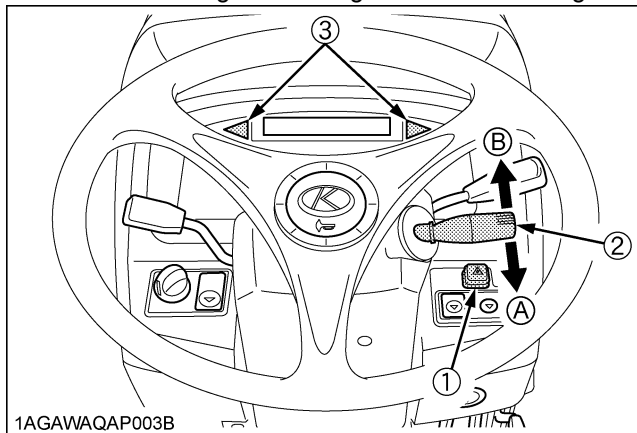
To indicate a right turn, turn the turn signal light switch clockwise. To indicate a left turn, turn the turn signal light switch counter-clockwise. The corresponding right and left turn signal lights and indicator on the instrument panel will flash. Turn signal is active when key switch is in the "ON" position.

NOTE :

- Be sure to return switch to center position after turning.

◆ Hazard Light Switch

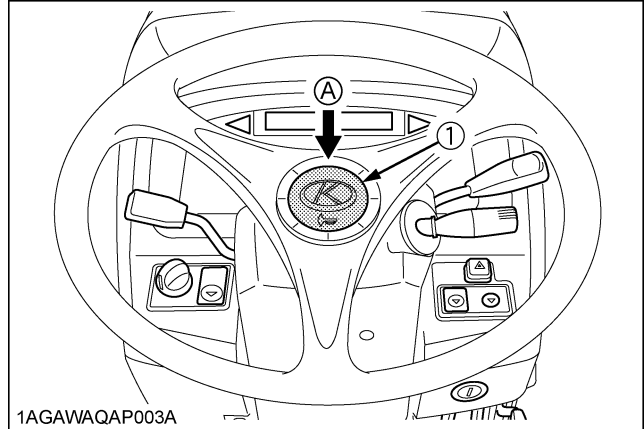
When hazard light switch is pushed, the hazard lights flash along with the indicator on the instrument panel. Press the hazard light switch again to turn off the light.



- (1) Hazard light switch
- (A) "RIGHT TURN"
- (2) Turn signal light switch
- (B) "LEFT TURN"
- (3) Hazard / Turn signal indicator

■ Horn Button

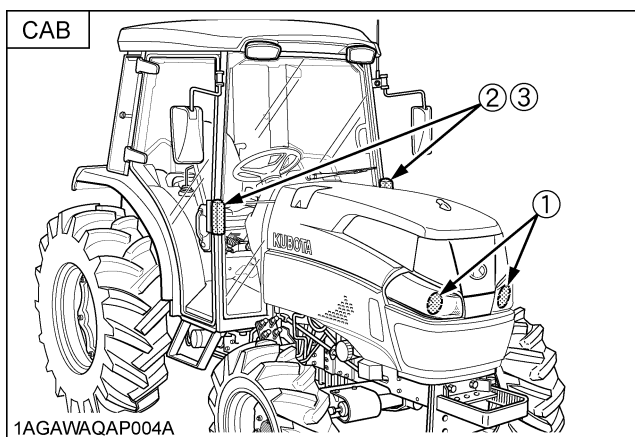
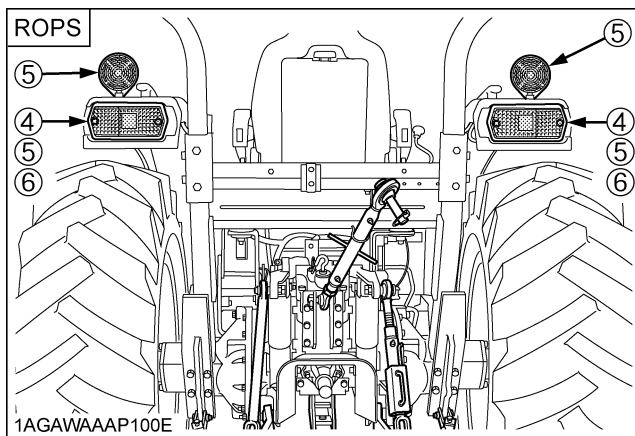
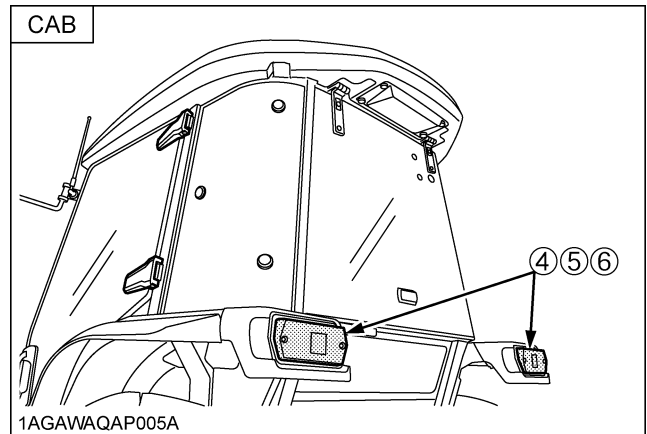
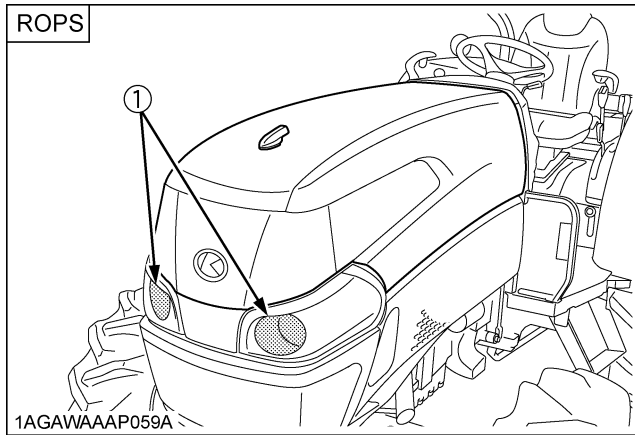
The horn will sound when the key switch is in the "ON" position and the horn button pressed.



- (1) Horn button
- (A) "PUSH"

■ Tractor Lights

- (1) Head light
- (2) Side turn signal / Hazard light
- (3) Side marker light
- (4) Tail light
- (5) Rear turn signal / Hazard light
- (6) Brake stop light



HYDRAULIC UNIT

REMOTE HYDRAULIC CONTROL SYSTEM

The hydraulic auxiliary control valves can be installed up to triple segments.

Remote Control Valve

There are two types of remote valves available for these models.

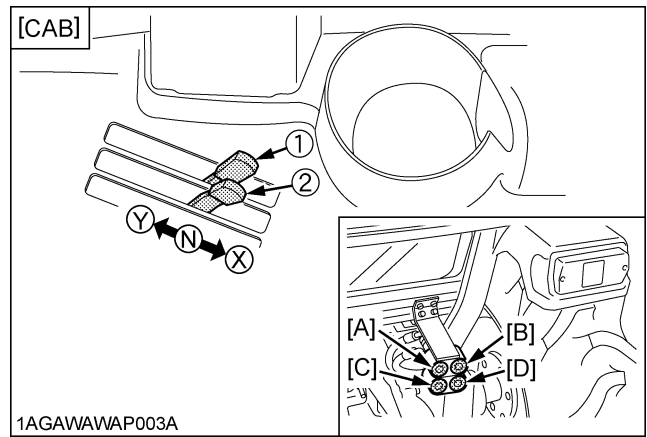
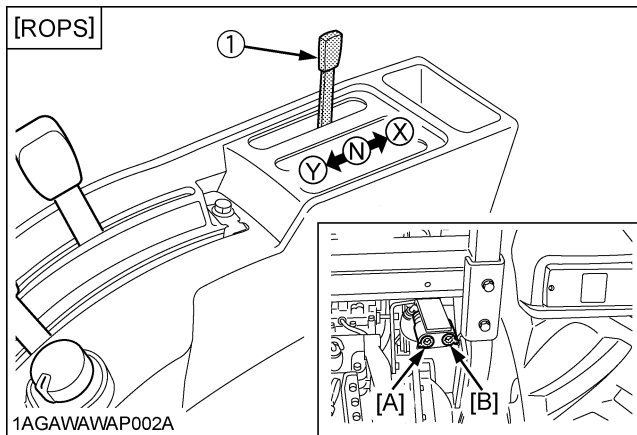
- Double acting valve:
- Double acting valve with float position:
This valve may be placed in the float mode with the control lever all the way forward. The cylinder is free to extend or retract, letting an implement such as a loader bucket follow the ground.

◆ Oceania model is equipped with double acting valve as standard.

Models	Valve unit
L3240ROPS L3540ROPS	---
L4240ROPS L5240ROPS L5740ROPS	1
L4240CAB L5240CAB L5740CAB	2

Remote Control Valve Lever

The remote control valve lever directs pressurized oil flow to the implement hydraulic system.



(1) Remote control valve lever with Double acting valve (1)
(2) Remote control valve lever with Double acting valve (2)

Pressure →
Returning ←

Lever (1)		X		Y	
Port	[A]	In	←	Out	→
	[B]	Out	→	In	←

Lever (2)		X		Y	
Port	[C]	In	←	Out	→
	[D]	Out	→	In	←

				Coupler size	
Port [A] [B] [C] [D]				PT 1/2	

IMPORTANT :

- Do not hold the lever in the “REARWARD” or “FORWARD” position once the remote cylinder has reached the end of the stroke, as this will cause oil to flow through the relief valve. Forcing oil through the relief valve for extended periods will overheat the oil.
- When using the tractor hydraulic system to power front loader, do not operate boom and bucket cylinders simultaneously.

TIRES, WHEELS AND BALLAST

TIRES



WARNING

To avoid personal injury:

- Do not attempt to mount a tire on a rim. This should be done by a qualified person with the proper equipment.
- Always maintain the correct tire pressure. Do not inflate tires above the recommended pressure shown in the operator's manual.

IMPORTANT :

- Do not use tires other than those approved by KUBOTA.
- When you intend to mount different size of tires from equipped ones, consult your dealer about front drive gear ratio for details.
Excessive wear of tires may occur due to improper gear ratio.

■ Inflation Pressure

Though the tire pressure is factory-set to the prescribed level, it naturally drops slowly in the course of time. Thus, check it everyday and inflate as necessary.

	Tire sizes	Inflation Pressure
Rear	12.4 - 24, 4PR	140 kPa (1.4 kgf/cm ²)
	13.6 - 28, 4PR	150 kPa (1.5 kgf/cm ²)
	13.6 - 24, 4PR	140 kPa (1.4 kgf/cm ²)
	14.9 - 24, 4PR	140 kPa (1.4 kgf/cm ²)
	355/80 - D20, 4PR	100 kPa (1.0 kgf/cm ²)
	44 x 18 - 20, 6PR	170 kPa (1.7 kgf/cm ²)
	475/65 - D20, 6PR	140 kPa (1.4 kgf/cm ²)
Front	7 - 16, 4PR	180 kPa (1.8 kgf/cm ²)
	8 - 16, 4PR	160 kPa (1.6 kgf/cm ²)
	9.5 - 16, 4PR	205 kPa (2.1 kgf/cm ²)
	212/80 - D15, 4PR	160 kPa (1.6 kgf/cm ²)
	29 x 12.00 - 15, 4PR	140 kPa (1.4 kgf/cm ²)
	29 x 12.50 - 15, 4PR	140 kPa (1.4 kgf/cm ²)

NOTE :

- Maintain the maximum pressure in front tires, if using a front loader or when equipped with a full load of front weights.

■ Dual Tires

Dual tires are not approved.

WHEEL ADJUSTMENT



WARNING

To avoid personal injury:

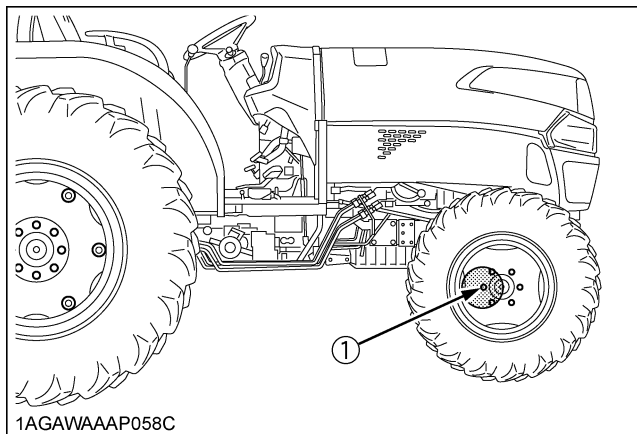
- When working on slopes or when working with trailer, set the wheel tread as wide as practical for maximum stability.
- Support tractor securely on stands before removing a wheel.
- Do not work under any hydraulically supported devices. They can settle, suddenly leak down, or be accidentally lowered. If necessary to work under tractor or any machine elements for servicing or adjustment, securely support them with stands or suitable blocking beforehand.
- Never operate tractor with a loose rim, wheel, or axle.

■ Front Wheels (with 4 wheel drive)

Front tread can not be adjusted.

IMPORTANT :

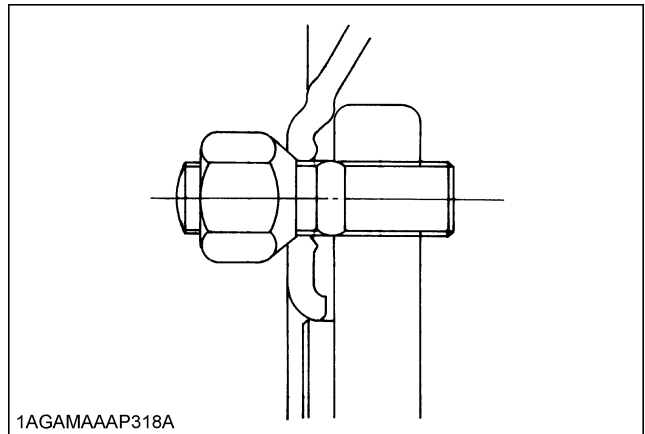
- Do not turn front discs to obtain wider tread.
- When re-fitting or adjusting a wheel, tighten the bolts to the following torques then recheck after driving the tractor 200 m (200 yards) and 10 times of shuttle movement by 5 m (5 yards), and thereafter according to service interval.
(See "MAINTENANCE" section.)



- (1) [L3240, L3540, L4240]
137 N-m (14 kgf-m)
[L5240, L5740]
185 N-m (19 kgf-m)

NOTE :

- Wheels with beveled or tapered holes: Use the tapered side of lug nut.



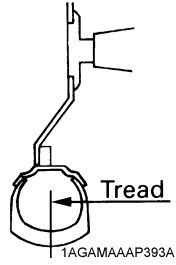
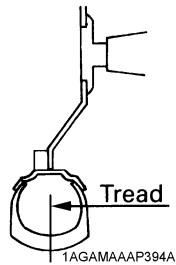
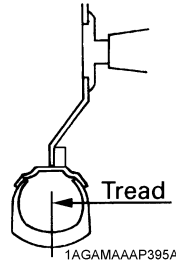
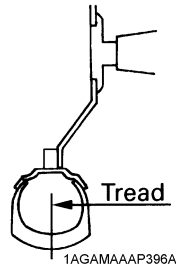
<p>1AGAMAAAP392A</p>	Models	L3240, L3540					
	Tires	7-16 Farm	---	---	212/80-D15 Turf	---	---
	Tread	1150 mm	---	---	1180 mm	---	---
	Models	L4240					
	Tires	---	8-16 Farm	---	---	---	29 x 12.50-15 Turf
	Tread	---	1145 mm	---	---	---	1280 mm
	Models	L5240, L5740					
	Tires	---	---	9.5-16 Farm	---	29 x 12.00-15 Turf	29 x 12.50-15 Turf
	Tread	---	---	1340 mm	---	1415 mm	1425 mm

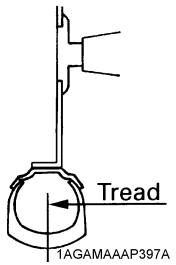
■ Rear Wheels

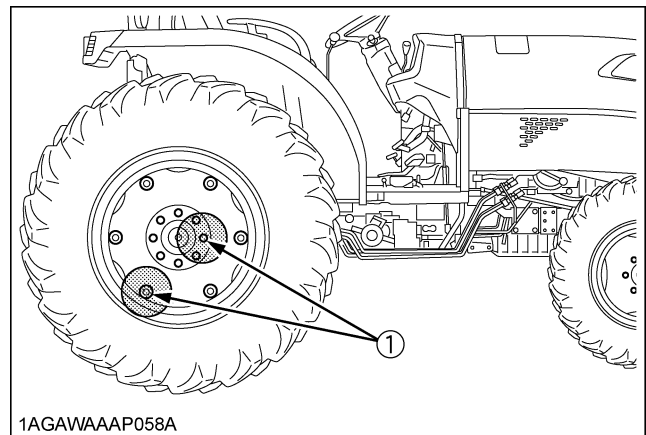
Rear tread width can be adjusted as shown with the standard equipped tires.

To change the tread width

1. Remove the wheel rim and / or disk mounting bolts.
2. Change the position of the rim and / or disk (right and left) to the desired position, and tighten the bolts.

Models				
L3240, L3540 12.4-24 Farm	1200 mm	1300 mm	1385 mm	1480 mm
L4240 13.6-24 Farm	---	1285 mm	1435 mm	1530 mm
L4240 14.9-24 Farm	---	1285 mm	1435 mm	1530 mm
L5240, L5740 13.6-28 Farm	1225 mm	1325 mm	1425 mm	1525 mm

Models	
L3240, L3540 355 / 80-D20 Turf	1290 mm
L5240, L5740 475 / 65-D20 Turf	1415 mm
L4240, L5240, L5740 44 x 18-20 Turf	1415 mm



(1) 215 N-m (22 kgf-m)

IMPORTANT :

- Always attach wheels as shown in the drawings.
- If not attached as illustrated, transmission parts may be damaged.
- When re-fitting or adjusting a wheel, tighten the bolts to the following torques then recheck after driving the tractor 200 m (200 yards) and 10 times of shuttle movement by 5 m (5 yards), and thereafter according to service interval.
(See "MAINTENANCE" section.)

PERIODIC SERVICE

SERVICE AS REQUIRED

■ Replacing Fuse

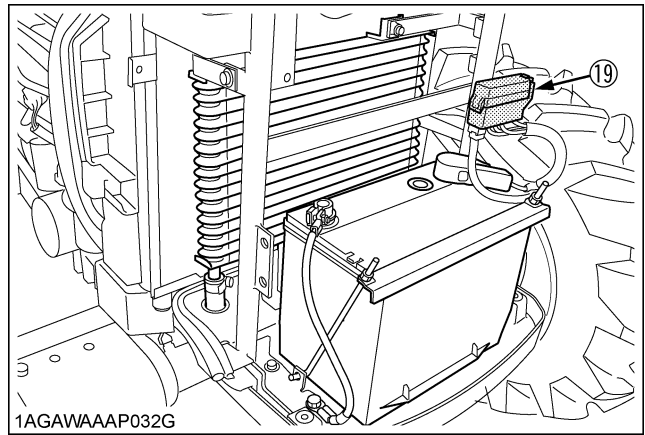
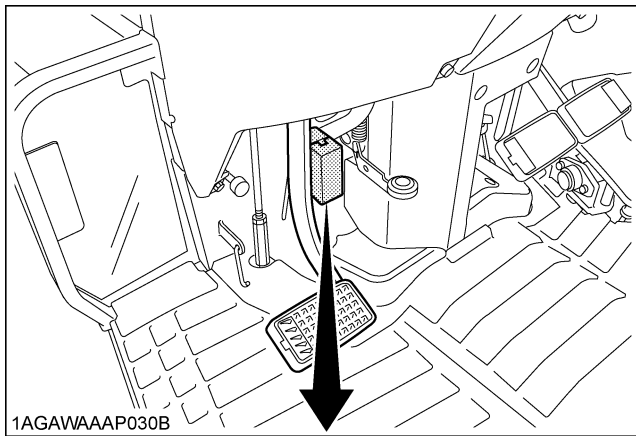
The tractor electrical system is protected from potential damage by fuses.

A blown fuse indicates that there is an overload or short somewhere in the electrical system.

If any of the fuses should blow, replace with a new one of the same capacity.

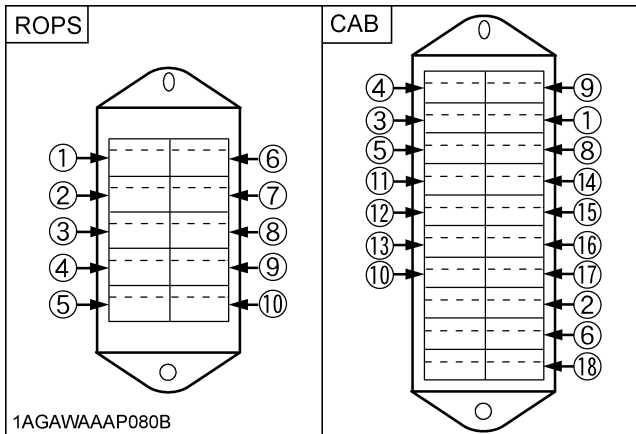
IMPORTANT :

- Before replacing a blown fuse, determine why the fuse blew and make any necessary repairs. Failure to follow this procedure may result in serious damage to the tractor electrical system. Refer to the "TROUBLESHOOTING" section of this manual or your local KUBOTA Dealer for specific information dealing with electrical problems.



◆ Protected circuit

Fuse No.	Capacity (A)	Protected circuit	ROPS		CAB
			HST	MT	HST
(1)	7.5	Alternator	○	○	○
(2)	15	Head lights	○	○	○
(3)	15	Hazard	○	○	---
	20	Hazard	---	---	○
(4)	5	Panel	○	○	○
(5)	5	T/M Controller 1	○	---	○
(6)	10	Work light	○	○	---
	15	Work light	---	---	○
(7)	5	Brake lamp switch	○	○	---
(8)	10	T/M Controller 2	○	---	○
		OPC Controller	---	○	---
(9)	5	Key stop	○	○	○
(10)	30	Starter relay	○	○	○
(11)	10	Dome lamp	---	---	○
(12)	20	Aircon blower	---	---	○
(13)	5	Radio cassette	---	---	○
(14)	20	Cigar lighter	---	---	○
(15)	7.5	Aircon compressor	---	---	○
(16)	30	Wiper	---	---	○
(17)	15	Flasher	---	---	○
(18)	30	Defogger	---	---	○
(19)	Slow blow	Check circuit against wrong battery	○	○	○



■ Replacing Light Bulb

Light	Capacity	
	ROPS	CAB
Head light	35W / 35W	
Tail light	8W	
Hazard and Turn signal light (rear)	23W	
Hazard and Turn signal light (front)	---	23W
Room light	---	10W
Work light	---	35W
Instrument panel light	1.1W	
Brake stop light	23W	