



- U.S.A. : **KUBOTA TRACTOR CORPORATION**
1000 Kubota Drive, Grapevine, TX 76051
Telephone : 888-4KUBOTA
- Canada : **KUBOTA CANADA LTD.**
5900 14th Avenue, Markham, Ontario, L3S 4K4, Canada
Telephone : (905)294-7477
- France : **KUBOTA EUROPE S.A.S**
19-25, Rue Jules Vercey, Z.I. BP88, 95101 Argenteuil Cedex, France
Telephone : (33)1-3426-3434
- Italy : **KUBOTA EUROPE S.A.S Italy Branch**
Via Grandi, 29 20068 Peschiera Borrome (MI) Italy
Telephone : (39)02-51650377
- Germany : **KUBOTA (DEUTSCHLAND) GmbH**
Senefelder Str. 3-5 63110 Rodgau /Nieder-Roden, Germany
Telephone : (49)6106-873-0
- U.K. : **KUBOTA (U.K.) LTD.**
Dormer Road, Thame, Oxfordshire, OX9 3UN, U.K.
Telephone : (44)1844-214500
- Spain : **KUBOTA ESPAÑA S.A.**
Avenida Recomba No.5, Poligno Industrial la Laguna, Leganes, 28914 (Madrid) Spain
Telephone : (34)91-508-6442
- Australia : **KUBOTA TRACTOR AUSTRALIA PTY LTD.**
25-29 Permas Way, Truganina, VIC 3029, Australia
Telephone : (61)-3-9394-4400
- Malaysia : **SIME KUBOTA SDN. BHD.**
No.3 Jalan Sepadu 25/123 Taman Perindustrian Axis,
Seksyen 25, 40400 Shah Alam, Selangor Darul Ehsan Malaysia
Telephone : (60)3-736-1388
- Philippines : **KUBOTA PHILIPPINES, INC.**
232 Quirino Highway, Baesa, Quezon City 1106, Philippines
Telephone : (63)2-422-3500
- Taiwan : **SHIN TAIWAN AGRICULTURAL MACHINERY CO., LTD.**
16, Fengping 2nd Rd, Taliào Shiang Kaohsiung 83107, Taiwan R.O.C.
Telephone : (886)7-702-2333
- Indonesia : **PT KUBOTA MACHINERY INDONESIA**
Tower A at EightyEight@Kasablanka Lantai 16
Jalan Raya Casablanka Kav. 88, Jakarta 12870 Indonesia
Telephone : (62)-21-29568-720
- Thailand : **SIAM KUBOTA CORPORATION CO., LTD.**
101/19-24 Moo 20, Navanakorn Industrial Estate, Tambon Khlongnueng, Amphur Khlongnuang,
Pathumthani 12120, THAILAND
Telephone : (66)2-909-0300
- Korea : **KUBOTA KOREA CO., LTD.**
41-27, Jayumyeok-gil, Baeksan-myeon, Gimje-si, Jeollabuk-do, Korea
Telephone : (82)-63-544-5822
- India : **KUBOTA AGRICULTURAL MACHINERY INDIA PVT. LTD.**
No.15, Medavakkam Road, Sholinganallur, Chennai-600119, T.N., India
Telephone : (91)44-6104-1500
- Vietnam : **KUBOTA VIETNAM CO., LTD.**
Lot B-3A2-CN, My Phuoc 3 Industrial Park, Ben Cat District, Binh Duong Province, Vietnam
Telephone : (84)-650-3577-507

KUBOTA Corporation

English (Oceania)
Code No. 3N606-9971-1

OPERATOR'S MANUAL

KUBOTA TRACTOR

MODEL M108S



1AGAIJAP0010

M
1
0
8
S

READ AND SAVE THIS MANUAL



ABBREVIATION LIST

Abbreviations	Definitions
2WD	Two Wheel Drive
4WD	Four Wheel Drive
API	American Petroleum Institute
ASABE	American Society of Agricultural and Biological Engineers, USA
ASTM	American Society for Testing and Materials, USA
DIN	Deutsches Institut für Normung, GERMANY
DT	Dual Traction [4WD]
fpm	Feet Per Minute
GST	Glide Shift Transmission
Hi-Lo	High Speed-Low Speed
HST	Hydrostatic Transmission
m/s	Meters Per Second
PTO	Power Take Off
RH/LH	Right-hand and left-hand sides are determined by facing in the direction of forward travel
ROPS	Roll-Over Protective Structures
rpm	Revolutions Per Minute
r/s	Revolutions Per Second
SAE	Society of Automotive Engineers, USA
SMV	Slow Moving Vehicle

KUBOTA Corporation is ...

Since its inception in 1890, KUBOTA Corporation has grown to rank as one of the major firms in Japan.

To achieve this status, the company has through the years diversified the range of its products and services to a remarkable extent. Nineteen plants and 16,000 employees produce over 1,000 different items, large and small.

All these products and all the services which accompany them, however, are unified by one central commitment. KUBOTA makes products which, taken on a national scale, are basic necessities. Products which are indispensable. Products which are intended to help individuals and nations fulfill the potential inherent in their environment. KUBOTA is the Basic Necessities Giant.

This potential includes water supply, food from the soil and from the sea, industrial development, architecture and construction, and transportation.

Thousands of people depend on KUBOTA's know-how, technology, experience and customer service. You too can depend on KUBOTA.

UNIVERSAL SYMBOLS

As a guide to the operation of your tractor, various universal symbols have been utilized on the instruments and controls. The symbols are shown below with an indication of their meaning.

	Safety Alert Symbol		Remote Cylinder-Retract
	Diesel Fuel		Remote Cylinder-Extend
	Fuel-Level		Hazard Warning Lights
	Engine-Rotational Speed		Headlight - Low Beam
	Hourmeter/Elapsed Operating Hours		Headlight - High Beam
	Engine Coolant-Temperature		4-Wheel Drive-On
	Diesel Preheat/Glow Plugs (Low Temperature Start Aid)		4-Wheel Drive-Off
	Parking Brake/Brake Oil		Front-Wheel Drive-On
	Engine Oil-Pressure		Fast
	Turn Signal		Slow
	Electrical Power-accessories		Creep
	Engine-Run		Windshield Wiper
	Engine-Start		Windshield Wiper Intermittent
	Engine-Stop		Windshield Washer
	Power Take-Off Clutch Control-Off (Disengaged) Position		Lock
	Power Take-Off Clutch Control-On (Engaged) Position		Rear Window Defroster
	Differential Lock		Steering Wheel-Tilt Control
	Position Control-Raised Position		Side Window Defroster
	Position Control-Lowered Position		Empty
	Draft Control-Shallow Position		Full
	Draft Control-Deep Position		PTO 540 rpm
	3-Point Lowering Speed Control		PTO 540 rpm
			Battery Charging Condition

FOREWORD

You are now the proud owner of a KUBOTA Tractor. This tractor is a product of KUBOTA quality engineering and manufacturing. It is made of fine materials and under a rigid quality control system. It will give you long, satisfactory service. To obtain the best use of your tractor, please read this manual carefully. It will help you become familiar with the operation of the tractor and contains many helpful hints about tractor maintenance. It is KUBOTA's policy to utilize as quickly as possible every advance in our research. The immediate use of new techniques in the manufacture of products may cause some small parts of this manual to be outdated. KUBOTA distributors and dealers will have the most up-to-date information. Please do not hesitate to consult with them.



SAFETY FIRST

This symbol, the industry's "Safety Alert Symbol", is used throughout this manual and on labels on the machine itself to warn of the possibility of personal injury. Read these instructions carefully. It is essential that you read the instructions and safety regulations before you attempt to assemble or use this unit.



DANGER : Indicates an imminently hazardous situation which, if not avoided, will result in death or serious injury.



WARNING : Indicates a potentially hazardous situation which, if not avoided, could result in death or serious injury.



CAUTION : Indicates a potentially hazardous situation which, if not avoided, could result in minor or moderate injury.

IMPORTANT : Indicates that equipment or property damage could result if instructions are not followed.

NOTE : Gives helpful information.

CONTENTS

▲SAFE OPERATION	▲-1
SERVICING OF TRACTOR.....	1
SPECIFICATIONS.....	2
SPECIFICATION TABLE	2
TRAVELING SPEEDS	4
IMPLEMENT LIMITATIONS	6
INSTRUMENT PANEL AND CONTROLS.....	8
PRE-OPERATION CHECK	12
DAILY CHECK	12
OPERATING THE ENGINE.....	13
STARTING THE ENGINE	13
COLD WEATHER STARTING	16
Block Heater (if equipped)	16
STOPPING THE ENGINE.....	16
WARMING UP	16
Warm-up and Transmission Oil at Low Temperature Range	16
JUMP STARTING	17
OPERATING THE TRACTOR	18
OPERATING NEW TRACTOR	18
Do not Operate the Tractor at Full Speed for the First 50 Hours.....	18
Changing Lubricating Oil for New Tractors.....	18
STARTING	18
Operator's Seat.....	18
Seat Belt	19
Tilt Steering Adjustment.....	19
Light Switch	19
Turn Signal / Hazard Light Switch	20
Horn Button.....	20
Brake Pedals (Right and Left).....	21
Clutch Pedal	22
Main Gear Shift Lever.....	23
Range Gear Shift Lever	24
Hydraulic-Shuttle Shift Lever	24
Creep Lever (if equipped)	24
Front Wheel Drive Lever.....	25
Hand Throttle Lever	26
Foot Throttle	26
Parking Brake Lever	26
STOPPING.....	27
Stopping.....	27
CHECK DURING DRIVING	27
Immediately Stop the Engine if:	27
Easy Checker(TM).....	27

Fuel Gauge.....	28
Coolant Temperature Gauge.....	28
Tachometer.....	28
PTO RPM / TRAVEL SPEED MONITOR.....	29
Changing Display Mode.....	29
PTO Speed Display Mode Switching.....	31
Entering the Travel Speed Coefficient.....	32
PARKING.....	33
Parking.....	33
OPERATING TECHNIQUES.....	33
Differential Lock.....	33
Operating the Tractor on a Road.....	34
Operating on Slopes and Rough Terrain.....	34
Directions for Use of Power Steering.....	34
Trailer Electrical Outlet.....	35
PTO.....	36
PTO OPERATION.....	36
PTO Clutch Control Lever.....	36
PTO Gear Shift Lever.....	36
LCD Monitor Message.....	37
PTO Shaft Cover and Shaft Cap.....	37
3-POINT HITCH & DRAWBAR.....	38
3-POINT HITCH.....	39
Selecting the holes of Lower Links.....	39
Selecting the Top Link Mounting Holes.....	39
Drawbar.....	39
Remote Hitch UP / DOWN Lever.....	40
Lifting Rod (Left).....	40
Lifting Rod (Right).....	41
Top Link.....	41
Telescopic Stabilizers.....	41
Telescopic Lower Links.....	41
DRAWBAR.....	42
Adjusting Drawbar Length.....	42
Swing Drawbar.....	42
HYDRAULIC UNIT.....	43
3-POINT HITCH CONTROL SYSTEM.....	43
Position Control.....	43
Draft Control.....	43
Mixed Control.....	44
Float Control.....	44
3-point Hitch Lowering Speed.....	44
REMOTE HYDRAULIC CONTROL SYSTEM.....	45
Remote Control Valve.....	45
Remote Control Valve Lever.....	45
Remote Control Valve Coupler Connecting and Disconnecting.....	46
Flow Control Valve (option).....	46
Adjusting the flow rate.....	47
Positions and advantages of the flow control valve.....	47
Hydraulic Control Unit Use Reference Chart.....	49

TIRES, WHEELS AND BALLAST	50
TIRES.....	50
Inflation Pressure.....	50
Dual Tires	50
WHEEL ADJUSTMENT	50
Front Wheels (with 4 wheel drive)	50
Adjusting Front Wheel Turning Stopper Bolt	51
Rear Wheels.....	52
BALLAST	53
Front Ballast.....	53
Rear Ballast	53
CAB OPERATION	55
DOOR AND WINDOW	55
Locking and Unlocking the Door.....	55
Opening the Door	55
Rear Window	56
Side Window.....	56
DOME LIGHT	56
Dome Light	56
WORK LIGHT	57
Work Light Switch.....	57
Front Work Light.....	57
Rear Work Light.....	57
WIPER	58
Front Wiper / Washer Switch.....	58
Rear Wiper / Washer Switch (if equipped).....	58
Using the Wipers in Cold Season.....	58
AIR CONDITIONER	59
Airflow	59
Air Control Vent	59
Control Panel.....	61
Operation	61
CIGARETTE LIGHTER.....	64
INSTALLING THE IMPLEMENT CONTROL BOX.....	64
Electrical Outlet.....	64
BEACON LIGHT	65
Beacon Light Switch	65
MAINTENANCE.....	66
SERVICE INTERVALS	66
LUBRICANTS, FUEL AND COOLANT	69
PERIODIC SERVICE.....	71
HOW TO OPEN THE HOOD	71
Hood	71
DAILY CHECK	71
Walk Around Inspection.....	71
Checking and Refueling.....	72
Checking Water Separator	72
Checking Engine Oil Level.....	73
Checking Transmission Fluid Level.....	73

Checking Coolant Level.....	74
Checking Brake Oil Level	74
Cleaning Evacuator Valve	75
Cleaning Grill, Radiator Screen, Intercooler and Oil Cooler	75
Cleaning Air Conditioner Condenser Screen.....	76
Checking Brake Pedal	76
Checking Parking Brake	77
Checking Gauges, Meter and Easy Checker (TM).....	77
Checking Head Light, Hazard Light etc.	77
Checking Seat Belt	77
Checking Movable Parts.....	77
EVERY 50 HOURS	77
Checking Engine Start System.....	77
Checking Wheel Bolt Torque	78
EVERY 100 HOURS	79
Lubricating Grease Fittings.....	79
Checking Battery Condition	80
Cleaning Air Cleaner Primary Element.....	81
Adjusting Fan Belt Tension.....	82
Adjusting Brake Pedal	82
Adjusting Parking Brake Lever	83
EVERY 200 HOURS	84
Checking Oil Cooler Line.....	84
Adjusting Toe-in.....	84
Draining Fuel Tank Water.....	85
Cleaning Inner Air Filter.....	85
Cleaning Fresh Air Filter	86
Checking Air Conditioner Condenser	87
Adjusting Air-Conditioner Belt Tension.....	87
EVERY 400 HOURS	88
Cleaning Water Separator	88
EVERY 500 HOURS	88
Changing Engine Oil.....	88
Replacing Engine Oil Filter	89
Replacing Fuel Filter.....	89
Replacing Hydraulic Oil Filter	90
Checking Radiator Hose and Clamp	90
Checking Fuel Line.....	91
Checking Intake Air Line.....	91
Checking Power Steering Line	91
Checking Assist Cylinder Hose.....	91
Checking Air-Conditioner Pipe and Hose	91
EVERY 600 HOURS	92
Adjusting Front Axle Pivot.....	92
Adjusting King-pin Pivot.....	92
Changing Brake Oil.....	92
EVERY 1 000 HOURS	92
Changing Transmission Fluid	92
Changing Front Differential Case Oil	93
Changing Front Axle Gear Case Oil	93
Adjusting Engine Valve Clearance	93
EVERY 1 000 HOURS or 1 YEAR	93

Replacing Air Cleaner Primary Element and Secondary Element.....	93
EVERY 1 500 HOURS	93
Checking Fuel Injection Nozzle (Injection Pressure)	93
EVERY 2 000 HOURS or 2 YEARS.....	94
Flushing Cooling System and Changing Coolant	94
Anti-Freeze	95
EVERY 3 000 HOURS	95
Checking Turbocharger	95
Checking Intake Air Heater	95
EVERY 1 YEAR	95
Checking CAB Isolation Cushion.....	95
EVERY 2 YEARS.....	96
Replacing Oil Cooler Line	96
Replacing Brake Hose	96
EVERY 3 YEARS.....	96
Replacing Parking Brake Cable.....	96
EVERY 4 YEARS.....	96
Replacing Radiator Hose (Water pipes)	96
Replacing Fuel Hose	96
Replacing Power Steering Hose.....	96
Replacing Intake Air Line.....	96
Replacing Master Cylinder Kit	96
Replacing Equalizer Kit.....	96
Replacing Brake Seal 1 and 2	96
Replacing Assist Cylinder Hose.....	96
Replacing Air Conditioner Hose.....	96
SERVICE AS REQUIRED.....	96
Bleeding Fuel System.....	96
Bleeding Brake System	97
Draining Clutch Housing Water	97
Replacing Fuse.....	97
Replacing Light Bulb.....	99
Replacing Head Lamp	99
Lubricating Points	100
Adding Washer Liquid.....	100
Checking the Amount of Refrigerant (gas)	100
STORAGE	102
TRACTOR STORAGE	102
REMOVING THE TRACTOR FROM STORAGE	102
TROUBLESHOOTING.....	103
ENGINE TROUBLESHOOTING	103
OPTIONS.....	104



SAFE OPERATION

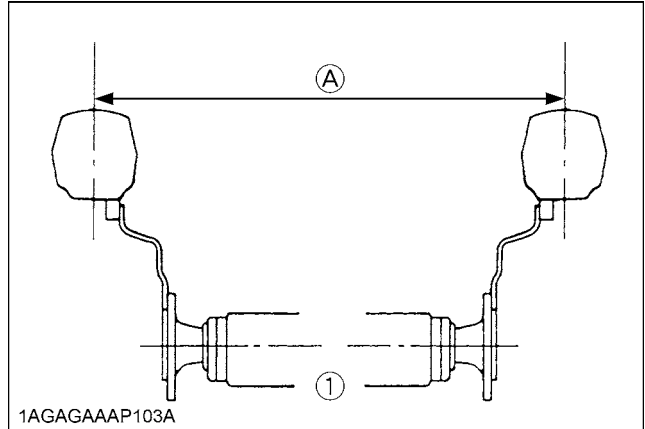
Careful operation is your best insurance against an accident.

Read and understand this manual carefully before operating the tractor.

All operators, no matter how much experience they may have, should read this and other related manuals before operating the tractor or any implement attached to it. It is the owner's obligation to instruct all operators in safe operation.

1. BEFORE OPERATING THE TRACTOR

1. Know your equipment and its limitations. Read this entire manual before attempting to start and operate the tractor.
2. Pay special attention to the danger, warning and caution labels on the tractor.
3. Do not operate the tractor or any implement attached to it while under the influence of alcohol, medication, controlled substances or while fatigued.
4. Before allowing other people to use your tractor, explain how to operate and have them read this manual before operation.
5. Never wear loose, torn, or bulky clothing around tractor. It may catch on moving parts or controls, leading to the risk of an accident. Use additional safety items, e.g. hard hat, safety boots or shoes, eye and hearing protection, gloves, etc., as appropriate or required.
6. Do not allow passengers to ride on any part of the tractor at anytime. The operator must remain in the tractor seat during operation.
7. Check brakes, clutch, linkage pins and other mechanical parts for improper adjustment and wear. Replace worn or damaged parts promptly. Check the tightness of all nuts and bolts regularly. (For further details, see "MAINTENANCE" section.)
8. Keep your tractor clean. Dirt, grease, and trash build up may contribute to fires and lead to personal injury.
9. Use only implements meeting the specifications listed under "IMPLEMENT LIMITATIONS" in this manual or implements approved by KUBOTA.
10. Use proper weights on the front or rear of the tractor to reduce the risk of upsets. When using the front loader, put an implement or ballast on the 3-point hitch to improve stability. Follow the safe operating procedures specified in the implement or attachment manual.
11. The narrower the tread, the greater the risk of a tractor upset. For maximum stability, adjust the wheels to the widest practical tread width for your application. (See "TIRES, WHEELS AND BALLAST" section.)
12. Do not modify the tractor. Unauthorized modification may affect the function of the tractor, which may result in personal injury.

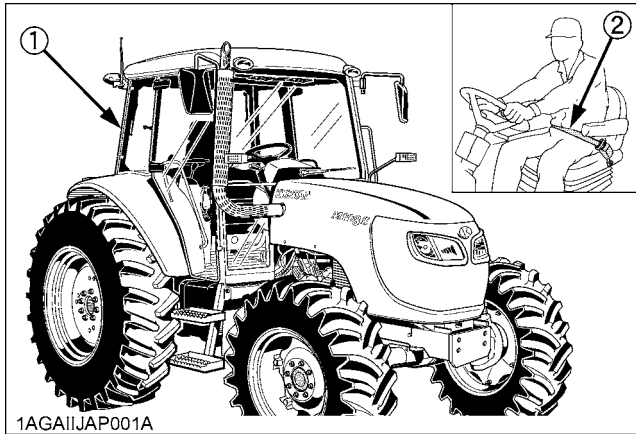


(1) Rear wheels

(A) Tread Width

◆ CAB, ROPS

1. KUBOTA recommends the use of a CAB or Roll Over Protective Structures (ROPS) and seat belt in almost all applications. This combination will reduce the risk of serious injury or death, should the tractor be upset. Check for overhead clearance which may interfere with a CAB or ROPS.
2. If the CAB or ROPS is loosened or removed for any reason, make sure that all parts are reinstalled correctly before operating the tractor.
3. Never modify or repair any structural member of a CAB or ROPS because welding, bending, drilling, grinding, or cutting may weaken the structure.
4. A damaged CAB or ROPS structure must be replaced, not repaired or revised.
5. If any structural member of the CAB or ROPS is damaged, replace the entire structure at your local KUBOTA Dealer.
6. Always use the seat belt if the tractor has a CAB or ROPS. Do not use the seat belt if there is no CAB or ROPS. Check the seat belt regularly and replace if frayed or damaged.



(1) CAB
(2) Seat belt

2. OPERATING THE TRACTOR

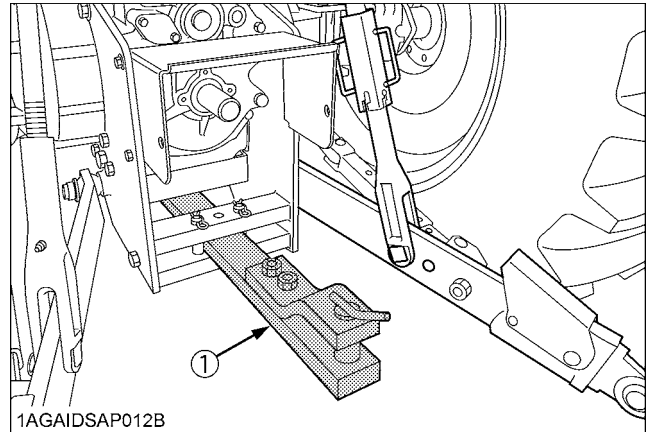
Operator safety is a priority. Safe operation, specifically with respect to overturning hazards, entails understanding the equipment and environmental conditions at the time of use. Some prohibited uses which can affect overturning hazards include traveling and turning with implements and loads carried too high etc. This manual sets forth some of the obvious risks, but the list is not, and cannot be, exhaustive. It is the operator's responsibility to be alert for any equipment or environmental condition that could compromise safe operation.

◆ Starting

1. Always sit in the operator's seat when starting engine or operating levers or controls. Adjust seat per instructions in the operating the tractor section. Never start engine while standing on the ground.
2. Before starting the engine, make sure that all levers (including auxiliary control levers) are in their neutral positions, that the parking brake is engaged, and that both the clutch and the Power Take-Off (PTO) are disengaged or "OFF".
Fasten the seat belt if the tractor has a CAB, a fixed ROPS or a foldable ROPS in the upright and locked position.
3. Do not start engine by shorting across starter terminals or bypassing the safety start switch. Machine may start in gear and move if normal starting circuitry is bypassed.
4. Do not operate or idle engine in a non-ventilated area. Carbon monoxide gas is colorless, odorless, and deadly.
5. Check before each use that operator presence controls are functioning correctly. Test safety systems. (See "Checking Engine Start System" in "EVERY 50 HOURS" in "PERIODIC SERVICE" section.)
Do not operate unless they are functioning correctly.

◆ Working

1. Pull only from the drawbar. Never hitch to axle housing or any other point except drawbar; such arrangements will increase the risk of serious personal injury or death due to a tractor upset.



(1) Drawbar

2. For trailing PTO-driven implements, set the drawbar to the towing position.
3. Attach pulled or towed loads to the drawbar only.
4. Keep all shields and guards in place. Replace any that are missing or damaged.
5. Avoid sudden starts. To avoid upsets, slow down when turning, on uneven ground, and before stopping.
6. The tractor cannot turn with the rear wheel or 4-wheel differential locked and attempting to do so could be dangerous.
7. Do not operate near ditches, holes, embankments, or other ground surface features which may collapse under the tractor's weight. The risk of tractor upset is even higher when the ground is loose or wet. Tall grass can hide obstacles, walk the area first to be sure.
8. Watch where you are going at all times. Watch for and avoid obstacles. Be alert at row ends, near trees, and other obstructions.
9. When working in groups, always let the others know what you are going to do before you do it.
10. Never try to get on or off a moving tractor.
11. Always sit in the operator's seat when operating levers or controls.
12. Do not stand between tractor and implement or trailed vehicle unless parking brake is applied.

◆ Safety for children

Tragedy can occur if the operator is not alert to the presence of children. Children generally are attracted to machines and the work they do.

1. Never assume that children will remain where you last saw them.
2. Keep children out of the work area and under the watchful eye of another responsible adult.
3. Be alert and shut your machine down if children enter the work area.

4. Never carry children on your machine. There is no safe place for them to ride. They may fall off and be run over or interfere with your control of the machine.
5. Never allow children to operate the machine even under adult supervision.
6. Never allow children to play on the machine or on the implement.
7. Use extra caution when backing up. Look behind and down to make sure area is clear before moving.

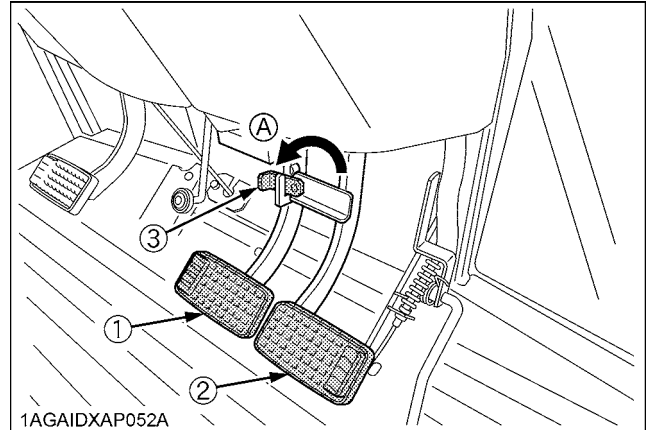
◆ Operating on slopes

Slopes are a major factor related to loss-of-control and tip-over accidents, which can result in severe injury or death. All slopes require extra caution.

1. To avoid upsets, always back up steep slopes. If you cannot back up the slope or if you feel uneasy on it, do not operate on it. Stay off slopes too steep for safe operation.
2. Driving forward out of a ditch, mired condition or up a steep slope increases the risk of a tractor to be upset backward. Always back out of these situations. Extra caution is required with 4-wheel drive models because their increased traction can give the operator false confidence in the tractor's ability to climb slopes.
3. Keep all movement on slopes slow and gradual. Do not make sudden changes in speed, direction or apply brake and make sudden motions of the steering wheel.
4. Avoid disengaging the clutch or changing gears speed when climbing or going down a slope. If on a slope disengaging the clutch or changing gears to neutral could cause loss of control.
5. Special attention should be made to the weight and location of implements and loads as such will affect the stability of the tractor.
6. To improve stability on slope, set widest wheel tread as shown in "TIRES, WHEELS AND BALLAST" section.
Follow recommendations for proper ballasting.
7. To avoid free wheeling:
 - Do not shift the shuttle lever while on a slope.
 - Stop completely by using the brake and by depressing the clutch pedal, then shift the shuttle lever.
 - Start off after selecting shuttle direction, by releasing the clutch pedal.

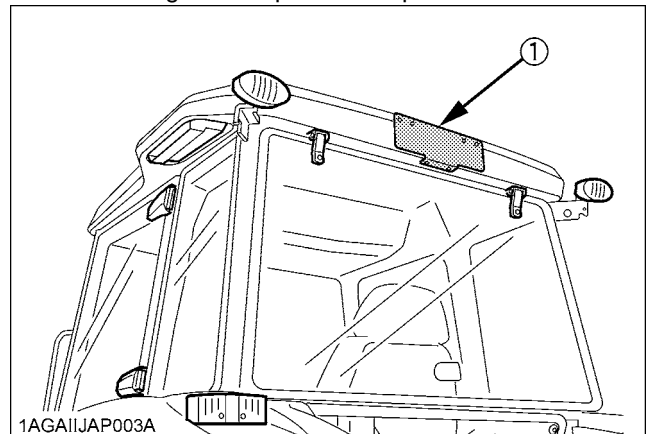
◆ Driving the tractor on the road

1. Lock the 2 brake pedals together to help assure straight-line stops. Uneven braking at road speeds could cause the tractor to tip over.



- (1) Brake Pedal (LH) (A) Whenever travelling on the road
 (2) Brake Pedal (RH)
 (3) Brake Pedal Lock

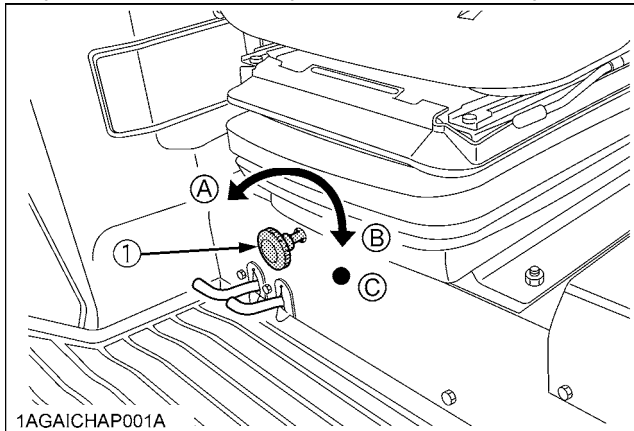
2. Check the front wheel engagement. The braking characteristics are different between 2 and 4-wheel drive. Be aware of the difference and use carefully.
3. Always slow the tractor down before turning. Turning at high speed may tip the tractor over.
4. Observe all local traffic and safety regulations. Use the registration plate as required.



- (1) Registration plate

5. Turn the headlights on. Dim them when meeting another vehicle.
6. Drive at speeds that allow you to maintain control at all times.
7. Do not apply the differential lock while traveling at road speeds. The tractor may run out of control.
8. Avoid sudden motions of the steering wheel as they can lead to a dangerous loss of stability. The risk is especially great when the tractor is traveling at road speeds.
9. Do not operate an implement while the tractor is on the road. Lock the 3-point hitch in the raised position.

- Set the implement lowering speed knob in the "LOCK" position to hold the implement in the raised position.



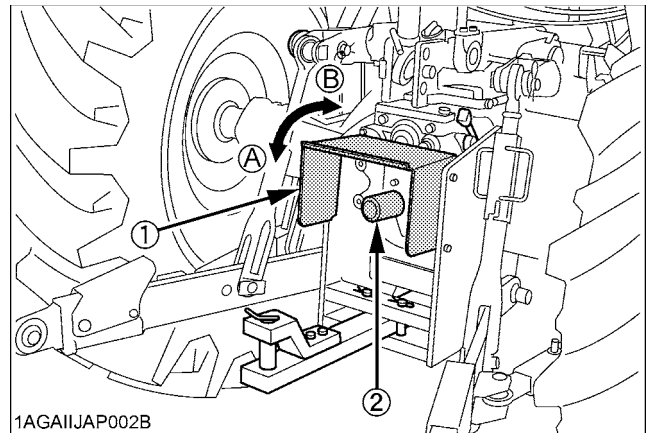
- (1) 3-point hitch lowering speed knob
- (A) "FAST"
 (B) "SLOW"
 (C) "LOCK"

3. PARKING THE TRACTOR

- Disengage the PTO, lower all implements to the ground, place all control levers in their neutral positions, set the parking brake, stop the engine, remove the key from the ignition and lock the cab door (if equipped). Leaving transmission in gear with the engine stopped will not prevent tractor from rolling.
- Make sure that the tractor has come to a complete stop before dismounting.
- Avoid parking on steep slopes, if at all possible park on a firm and level surface; if not, park across a slope with chock the wheels.
 Failure to comply with this warning may allow the tractor to move and could cause injury or death.

4. OPERATING THE PTO

- Wait until all moving components have completely stopped before getting off the tractor, connecting, disconnecting, adjusting, cleaning, or servicing any PTO driven equipment.
- Keep the PTO shaft cover in place at all times. Replace the PTO shaft cap when the shaft is not in use.

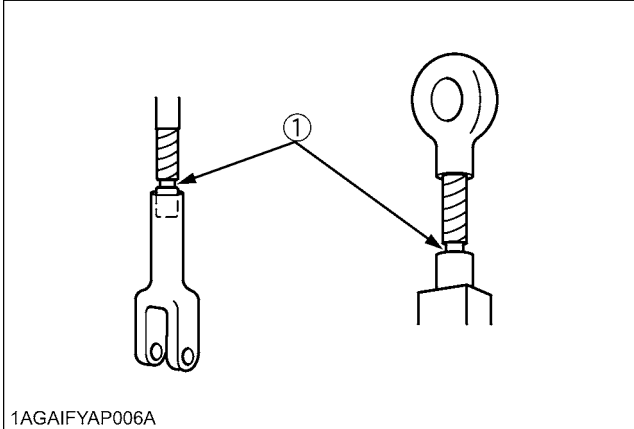


- (1) PTO Shaft cover
- (2) PTO Shaft cap
- (A) "NORMAL POSITION"
 (B) "RAISED POSITION"

- Before installing or using PTO driven equipment, read the manufacturer's manual and review the safety labels attached to the equipment.
 To prevent PTO driven equipment from improper or unsafe use, select the lower speed (540rpm) unless the higher one is specifically recommended as safe by the equipment manufacturer.
- When operating stationary PTO driven equipment, always apply the tractor parking brake and place chocks behind and in front of the rear wheels. Stay clear of all rotating parts. Never step over rotating parts.

5. USING 3-POINT HITCH

1. Use the 3-point hitch only with equipment designed for 3-point hitch usage.
2. When using a 3-point hitch mounted implement, be sure to install the proper counterbalance weight on the front of the tractor.
3. To avoid injury from separation:
Do not extend lift rod beyond the groove on the threaded rod.



1AGAIFYAP006A

(1) Groove

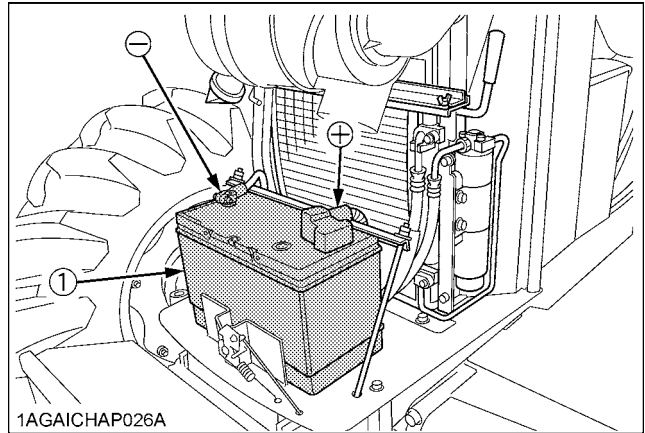
4. Use [UP-DOWN] switch or lever only on farm fields.
For all other application, use hydraulic lever to move attachment.

6. SERVICING THE TRACTOR

Before servicing the tractor, park it on a firm, flat and level surface, set the parking brake, lower all implements to the ground, place the gear shift lever in neutral, stop the engine and remove the key.

1. Allow the tractor time to cool off before working on or near the engine, muffler, radiator, etc.
2. Do not remove radiator cap while coolant is hot. When cool, slowly rotate cap to the first stop and allow sufficient time for excess pressure to escape before removing the cap completely. If the tractor has a coolant recovery tank, add coolant or water to the tank, not the radiator. (See "Checking Coolant Level" in "DAILY CHECK" in "PERIODIC SERVICE" section.)
3. Always stop the engine before refueling. Avoid spills and overfilling.
4. Do not smoke when working around battery or when refueling. Keep all sparks and flames away from battery and fuel tank. The battery presents an explosive hazard, because it gives off hydrogen and oxygen especially when recharging.
5. Before "jump starting" a dead battery, read and follow all of the instructions. (See "JUMP STARTING" in "OPERATING THE ENGINE" section.)

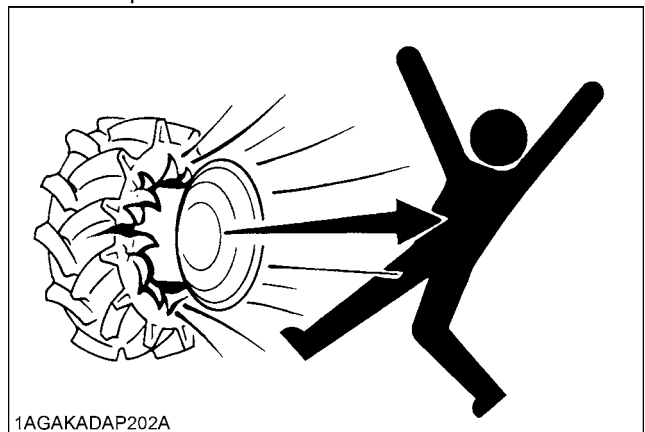
6. Keep first aid kit and fire extinguisher handy at all times.
7. Disconnect the battery's ground cable before working on or near electric components.
8. To avoid the possibility of battery explosion, do not use or charge the refillable type battery if the fluid level is below the LOWER (lower limit level) mark. Check the fluid level regularly and add distilled water as required so that the fluid level is between the UPPER and LOWER levels.
9. To avoid sparks from an accidental short circuit, always disconnect the battery's ground cable (-) first and reconnect it last.



1AGAICHAP026A

(1) Battery

10. Do not attempt to mount a tire on a rim. This should be done by a qualified person with the proper equipment.
11. Always maintain the correct tire pressure. Do not inflate tires above the recommended pressure shown in the operator's manual.



1AGAKADAP202A

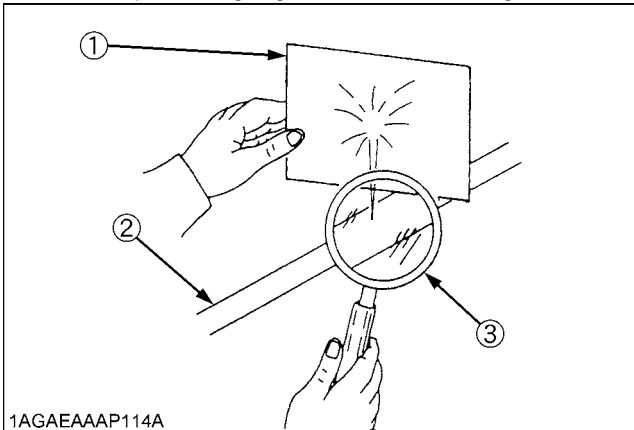
12. Securely support the tractor when either changing wheels or adjusting the wheel tread width.
13. Make sure that wheel bolts have been tightened to the specified torque.
14. Do not work under any hydraulically supported devices. They can settle, suddenly leak down, or be accidentally lowered. If it is necessary to work under tractor or any machine elements for servicing or adjustment, securely support them with stands or suitable blocking beforehand.

▲-6 SAFE OPERATION

15. Escaping hydraulic fluid under pressure has sufficient force to penetrate skin, causing serious personal injury. Before disconnecting hydraulic lines, be sure to release all residual pressure. Before applying pressure to the hydraulic system, make sure that all connections are tight and that all lines, pipes, and hoses are free of damage.



16. Fluid escaping from pinholes may be invisible. Do not use hands to search for suspected leaks; use a piece of cardboard or wood. Use of safety goggles or other eye protection is also highly recommended. If injured by escaping fluid, see a medical doctor at once. This fluid will produce gangrene or severe allergic reaction.



- (1) Cardboard
- (2) Hydraulic line
- (3) Magnifying glass

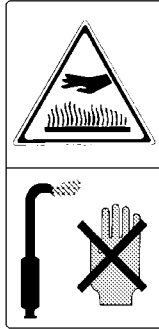
7. DANGER, WARNING AND CAUTION LABELS

- (1) Part No. 6C090-4958-2
Do not get your hands close to engine fan and fan belt.



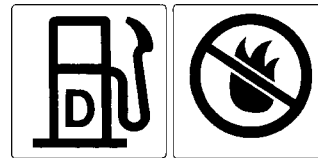
1AGAIAZAP110A

- (2) Part No. 3N300-4958-1
Do not touch hot surface like muffler, etc.



1AGAIAZAP071A

- (3) Part No. TA040-4956-2
Diesel fuel only
No fire



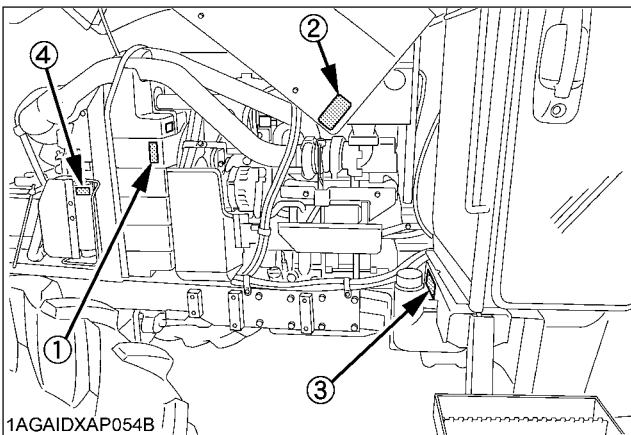
1AGAIAZAP118A

- (4) Part No. TA040-7295-1

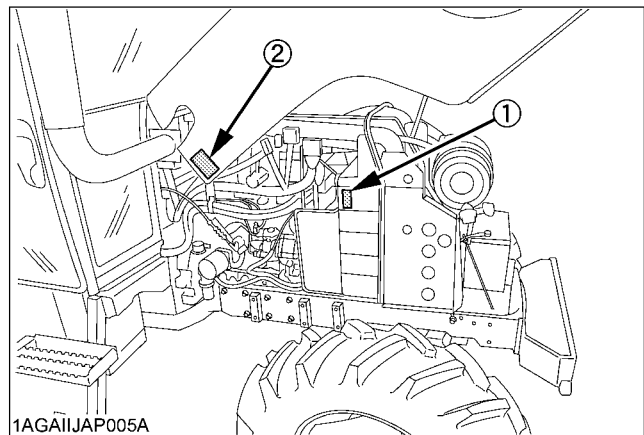
CAUTION REFRIGERANT UNDER HIGH PRESSURE	
Improper service methods may cause personal injury. This air conditioning system should be serviced by your dealer or any other qualified service shop. See Repair Manual for details.	
Refrigerant R134a Max. 1.05kg (2.31 lbs.) USE ONLY Min. 0.95kg (2.09 lbs.)	oil ND-OIL8 SAE J639 USE ONLY
MFD. BY	NIPPONDENSO CO.,LTD. JAPAN

A100

1AGAICHAP077A





1AGAIDXAP054B



1AGAIJAP005A

(1) Part No. 6C150-4743-1

 WARNING	<p>BEFORE DISMOUNTING TRACTOR:</p> <ol style="list-style-type: none"> 1. ALWAYS SET PARKING BRAKE. Leaving transmission in gear with the engine stopped will not prevent tractor from rolling. 2. PARK ON LEVEL GROUND WHENEVER POSSIBLE. If parking on a slope, position tractor across the slope. 3. LOWER ALL IMPLEMENTS TO THE GROUND. 4. STOP THE ENGINE.
	

1AGAIBDAP040A

(2) Part No. TA040-4965-2

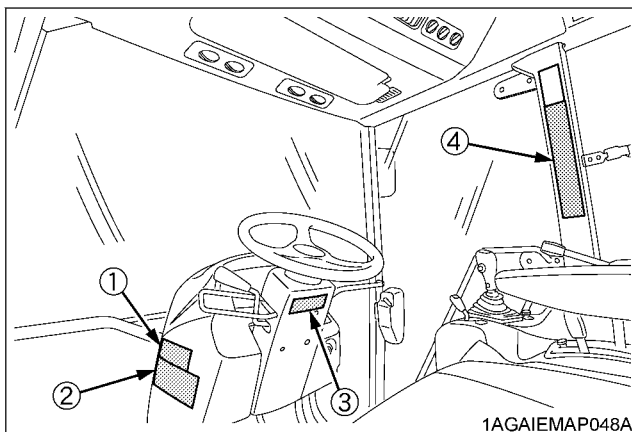
	<p style="text-align: center;">▲ DANGER</p> <p>TO AVOID POSSIBLE INJURY OR DEATH FROM A MACHINE RUNAWAY.</p> <ol style="list-style-type: none"> 1. Do not start engine by shorting across starter terminals or bypassing the safety start switch. Machine may start in gear and move if normal starting circuitry is bypassed. 2. Start engine only from operator's seat with transmission and PTO OFF. Never start engine while standing on the ground.
	

1AGAIAZAP009A

(3) Part No. 3F240-9857-1

 WARNING
<p>To avoid free wheeling when shifting the shuttle lever while on a slope: Stop completely by using the brake and by depressing the clutch pedal. Start off after selecting shuttle direction by releasing the clutch pedal.</p>


1AGAIBDAP039A



1AGAIEMAP048A

1AGAIEMAP051A

(4) Part No. 3F240-9836-2

 CAUTION
<p>TO AVOID PERSONAL INJURY:</p> <ol style="list-style-type: none"> 1. Read and understand the operator's manual before operation. 2. Before starting the engine, make sure that everyone is at a safe distance from tractor and the PTO is off. 3. Do not allow passengers on the tractor at any time. 4. Before allowing other people to use the tractor, have them read the operator's manual. 5. Check the tightness of nuts and bolts regularly. 6. Keep all shields in place and stay away from all moving parts. 7. Lock the two brake pedals together before driving on the road. 8. Slow down for turns, or rough roads, or when applying individual brakes. 9. On public roads use SMV emblem and hazard lights, if required by local traffic and safety regulations. 10. Pull only from the drawbar. 11. Before dismounting, lower the implement to the ground, set the parking brake, stop the engine and remove the key. 12. Securely support tractor and implements before working underneath.

1AGAICHAP113A

(1) Part No. 3N300-9892-1

<p>⚠ DANGER/POISON</p>			<p>KEEP OUT OF REACH OF CHILDREN. DO NOT TIP. DO NOT OPEN BATTERY.</p>		
<p>SHIELD EYES. EXPLOSIVE GASES CAN CAUSE BLINDNESS OR INJURY.</p>	<p>NO</p> <ul style="list-style-type: none"> • SPARKS • FLAMES • SMOKING 	<p>SULFURIC ACID CAN CAUSE BLINDNESS OR SEVERE BURNS.</p>	<p>FLUSH EYES IMMEDIATELY WITH WATER. GET MEDICAL HELP FAST.</p>		
<p>PROPOSITION 65 WARNING BATTERY POSTS, TERMINALS, AND RELATED ACCESSORIES CONTAIN LEAD AND LEAD COMPOUNDS, CHEMICALS KNOWN TO THE STATE OF CALIFORNIA TO CAUSE CANCER AND REPRODUCTIVE HARM. WASH HANDS AFTER HANDLING.</p>			<p>HYDROMETER</p>		
<p>105E41R 12V</p>			<p>○ ●</p>		
<p>RESERVE CAPACITY (MIN) 160</p>			<p>COLD CRANKING AMPS(-18°C) 900</p>		

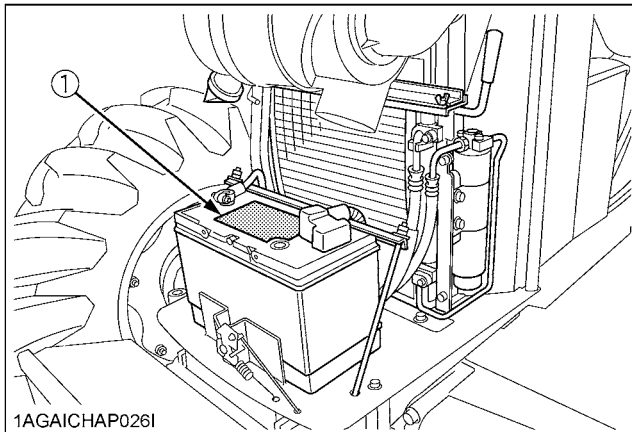
1AGAICHAP100A

(2) Part No. TA040-4902-1

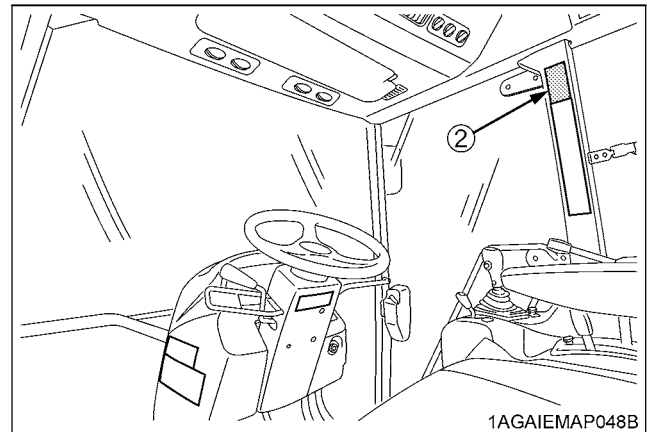
⚠ WARNING

TO AVOID INJURY OR DEATH FROM ROLL-OVER: Always use seat belt when driving.

1AGAMAOAP078A



1AGAICHAP026I



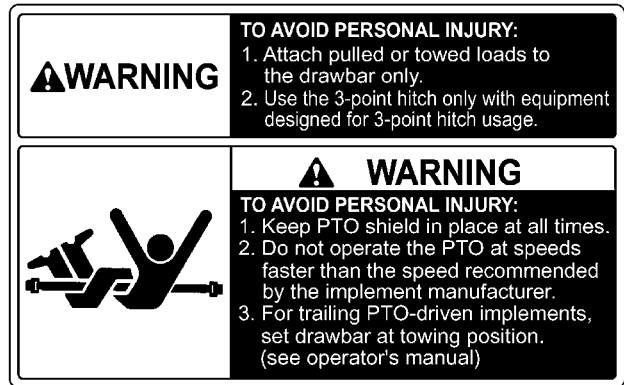
1AGAIEMAP048B

(1) Part No. 3P305-9856-1

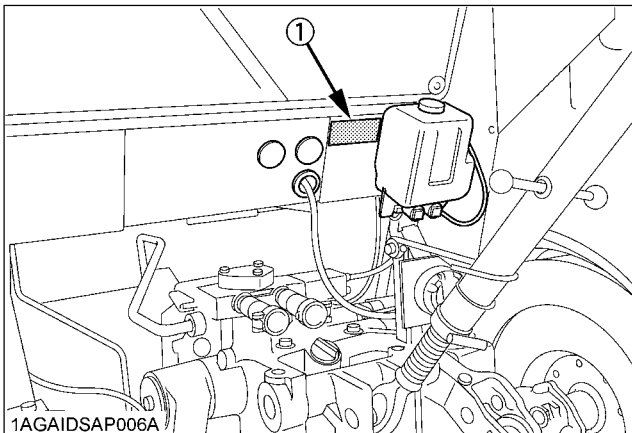


1AGAICVAP046E

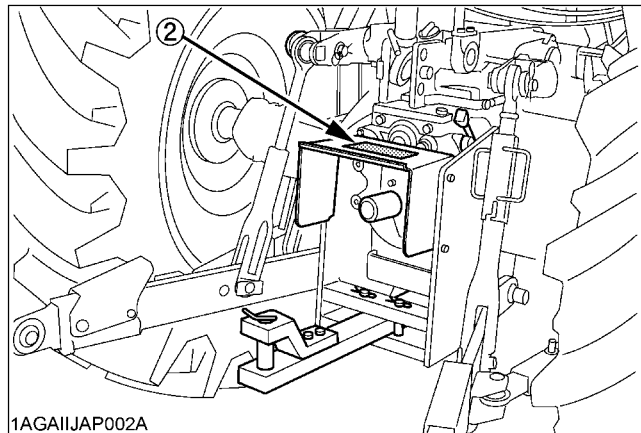
(2) Part No. 6C200-4959-1



1AGAIHFAP067A



1AGAIDSAP006A



1AGAIJAP002A

8. CARE OF DANGER, WARNING AND CAUTION LABELS

1. Keep danger, warning and caution labels clean and free from obstructing material.
2. Clean danger, warning and caution labels with soap and water, dry with a soft cloth.
3. Replace damaged or missing danger, warning and caution labels with new labels from your local KUBOTA Dealer.
4. If a component with danger, warning and caution label(s) affixed is replaced with new part, make sure new label(s) is (are) attached in the same location(s) as the replaced component.
5. Mount new danger, warning and caution labels by applying on a clean dry surface and pressing any bubbles to outside edge.

SERVICING OF TRACTOR

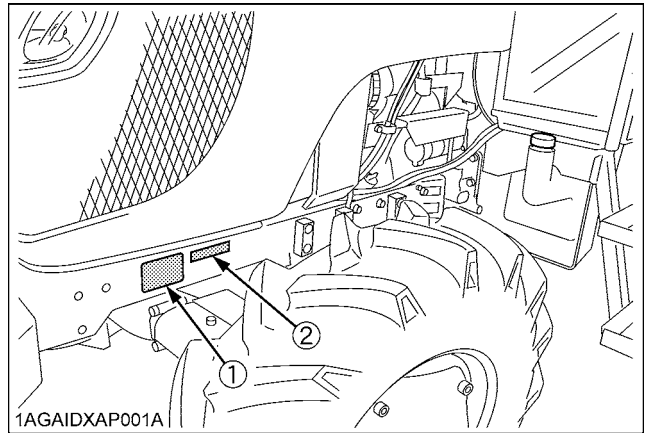
Your dealer is interested in your new tractor and has the desire to help you get the most value from it. After reading this manual thoroughly, you will find that you can do some of the regular maintenance yourself.

However, when in need of parts or major service, be sure to see your KUBOTA Dealer.

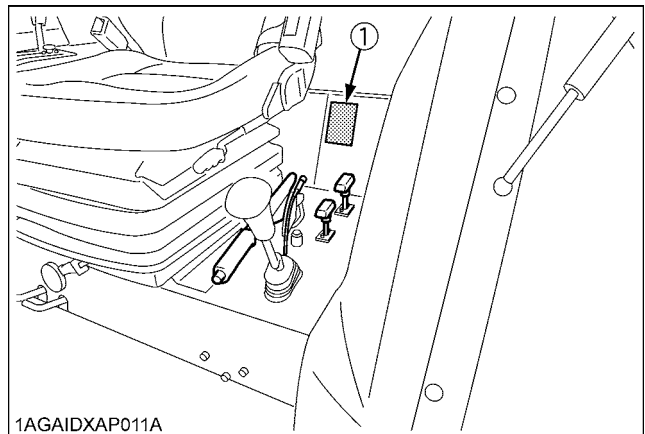
For service, contact the KUBOTA Dealership from which you purchased your tractor or your local KUBOTA Dealer. When in need of parts, be prepared to give your dealer the tractor, CAB and engine serial numbers.

Locate the serial numbers now and record them in the space provided.

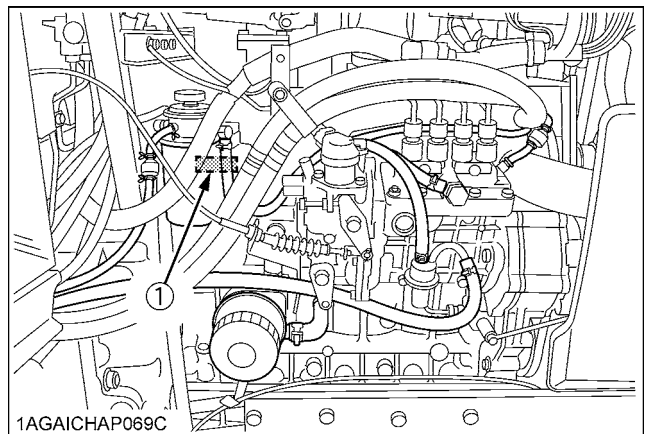
	Type	Serial No.
Tractor		
CAB		
Engine		
Date of Purchase		
Name of Dealer		
(To be filled in by purchaser)		



(1) Tractor identification plate
(2) Tractor serial number



(1) CAB identification plate (CAB Serial No.)



(1) Engine serial number

SPECIFICATIONS

SPECIFICATION TABLE

Model			M108S
			4WD
Engine	Model		V3800-DI-TI
	Type		Direct Injection, liquid cooled 4 cylinder diesel
	Number of cylinders		4
	Total displacement	cm ³	3769
	Bore and stroke	mm	100 x 120
	Rated speed	rpm	2600
	Net power *1	kW	77.2
	PTO power *1 (factory observed)	kW	69.4
	Maximum torque	N-m / rpm	355 / 1400 to 1600
	Battery capacity		12V, RC: 160 min, CCA 900A
	Fuel tank capacity	L	175
	Engine oil capacity	L	10.7
	Coolant capacity	L	9.6
Dimensions	Overall length		mm 4070
	Overall width (minimum tread)		mm 2010
	Overall height		mm 2680
	Wheel base		mm 2435
	Tread	Front	mm 1390 to 1690
		Rear	mm 1730 to 2035
Minimum ground clearance		mm 435 (Drawbar bracket)	
Weight		kg 3510	
Traveling system	Standard tire size	Front tires	340 / 85R24 (13.6R24)
		Rear tires *2	480 / 70R34 (18.4R34)
	Clutch		Hydraulic wet disks
	Steering		Hydraulic Power Steering
	Braking system		Hydraulic wet disks
Differential		Bevel gears with diff. lock (Front & Rear)	

Model			M108S	
			4WD	
Hydraulic unit	Hydraulic control system		Position, draft (top link sensing) & mix control	
	Pump capacity	L / min	65	
	Three point hitch		Category 2	
	Max. lifting force	At lifting points *3	kg	2500, 3900 with 2 assist cylinders (option)
		24 in. behind lifting point	kg	2100, 3400 with 2 assist cylinders (option)
	Remote hydraulic control		2 standard (3rd & flow control valve optional)	
	System pressure	MPa (kgf/cm ²)	19.6 (200)	
Traction system		Swinging drawbar, adjustable in direction		
PTO	Live PTO (Independent)	Direction of turning	Clockwise, viewed from tractor rear	
		PTO/Engine speed	540 / 2205 540E / 1519	

The company reserves the right to change the specifications without notice.








NOTE: *1 Manufacturer's estimate

*2 with cast iron disks for rear wheels.

*3 At lower link end with links horizontal.

TRAVELING SPEEDS

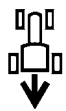






(At rated engine rpm)

Model			M108S	
Tire size (Rear)			480 / 70R34 (18.4R34)	
Shuttle shift lever	Range gear shift lever	Main gear shift lever	km/h	
Forward 	CREEP (option)		1	0.36
			2	0.45
			3	0.57
			4	0.72
			1	0.92
			2	1.18
			3	1.45
			4	1.84
	L		1	2.02
			2	2.57
			3	3.17
			4	4.02
			1	5.15
			2	6.56
			3	8.08
			4	10.27
	H		1	7.05
			2	8.98
			3	11.06
			4	14.06
		1	17.99	
		2	22.92	
		3	28.22	
		4	38.64*	

The company reserves the right to change the specifications without notice

* At maximum engine rpm

(At rated engine rpm)

Model			M108S	
Tire size (Rear)			480 / 70R34 (18.4R34)	
Shuttle shift lever	Range gear shift lever	Main gear shift lever	km/h	
Reverse 	CREEP (option)		1	0.36
			2	0.46
			3	0.57
			4	0.73
			1	0.93
			2	1.19
			3	1.46
			4	1.86
	L		1	2.04
			2	2.59
			3	3.19
			4	4.06
			1	5.19
			2	6.61
			3	8.15
			4	10.36
	H		1	7.11
			2	9.06
			3	11.16
			4	14.18
		1	18.15	
		2	23.11	
		3	28.47	
		4	38.97*	

The company reserves the right to change the specifications without notice

* At maximum engine rpm

IMPLEMENT LIMITATIONS

The KUBOTA Tractor has been thoroughly tested for proper performance with implements sold or approved by KUBOTA. Use with implements which are not sold or approved by KUBOTA and which exceed the maximum specifications listed below, or which are otherwise unfit for use with the KUBOTA Tractor may result in malfunctions or failures of the tractor, damage to other property and injury to the operator or others. [Any malfunctions or failures of the tractor resulting from use with improper implements are not covered by the warranty.]

Tread (max. width)		Rear	Operating condition	Lower link end max. lifting capacity: W 0
Front				
without spacer	with spacer	2035 mm	IMPORTANT : ● Tractor with front spacer option is not approved for use with front loader.	2500 kg
1690 mm	2050 mm			

Actual figures		
Implement weight: W 1 and / or size	Max. drawbar Load: W 2	Trailer loading weight: W 3 Max. capacity
As in the following list (Shown on the next page)	1500 kg	7000 kg *1

Lower link end max, hydraulic lifting capacity.....W 0
 Implement weight.....The implement's weight which can be put on the lower link: W 1
 Max. drawbar load.....W 2
 Trailer loading weight.....The max. loading weight for trailer (without trailer's weight): W 3

The diagrams show a tractor with a front wheel and a rear wheel. The first diagram shows the rear wheel lifting a weight labeled W0. The second diagram shows a weight labeled W1 being placed on the lower link of the rear wheel. The third diagram shows a trailer being pulled by the rear wheel, with a weight labeled W3 on the trailer and a weight labeled W2 on the drawbar.

1AGAI AZAP121B

NOTE :
 ● Implement size may vary depending on soil operating conditions.
 *1 It depends on the trailer braking system.
 See the decal on the drawbar hitch bracket.

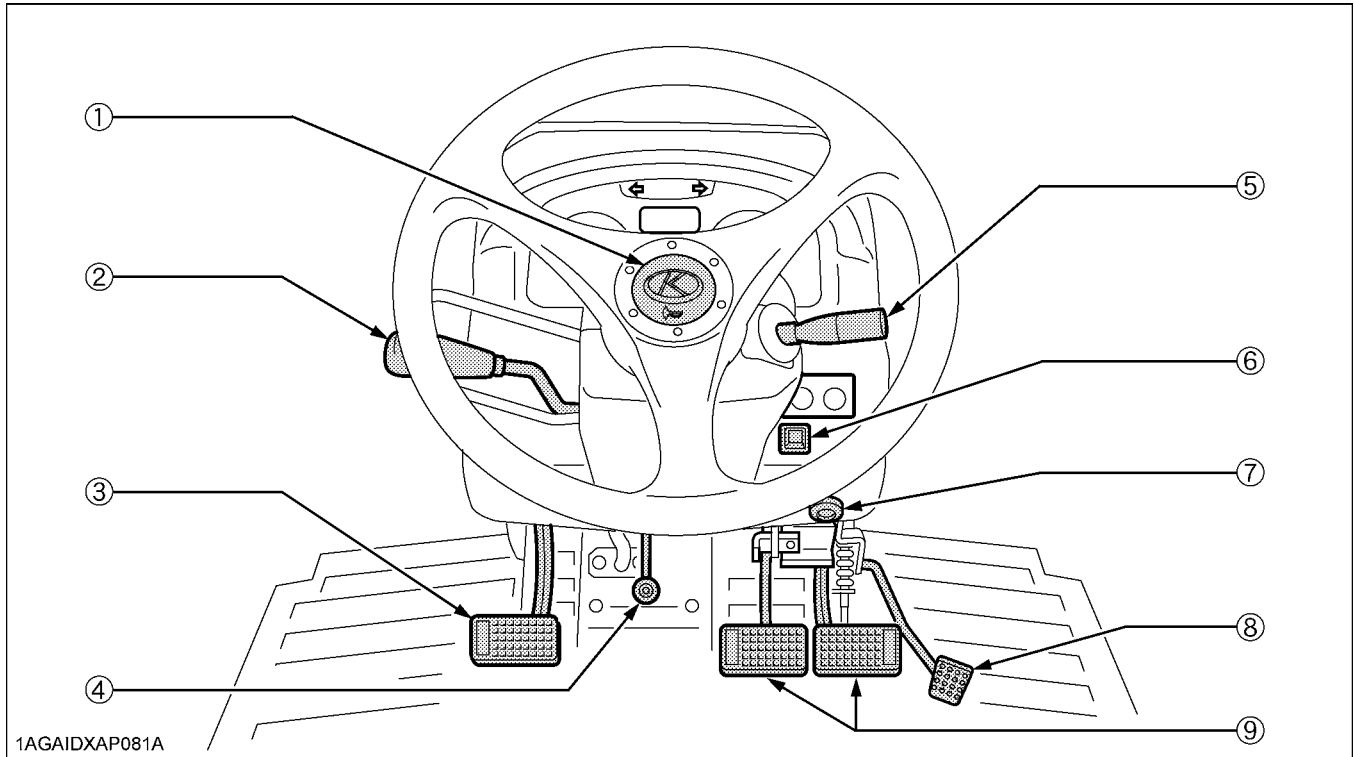
No.	Implement		Remarks		M108S	
1	Slurry Tank		Max. Tank Capacity	L	5000	
			Max. Load Capacity	kg	6000	
2	Trailer		Max. Load Capacity	kg	7000	
			Max. Drawbar Load	kg	1500	
3	Mower	Rotary-Cutter (3P type)	Max. Cutting Width	mm	3200	
			Max. Weight	kg	800	
		Rotary-Cutter (Drawbar type)	Max. Cutting Width	mm	6096	
		Disc Mower (Drawbar type)	Max. Cutting Width	mm	3962	
		Flail Mower (Heavy)	Max. Cutting Width	mm	4267	
			Max. Weight	kg	1360	
Sickle Bar	Max. Cutting Width	mm	3050			
4	Sprayer		Max. Tank- Capacity	Mid	L	1000
				Rear 3P	L	1000
				Drawbar	L	5500
5	Rotary Tiller		Max. Tilling Width	mm	2700	
			Max. Weight	kg	1200	
6	Bottom Plow		Max. Size		14 in. x 5 16 in. x 4 18 in. x 4 20 in. x 3 22 in. x 2 24 in. x 1	
			Max. Weight	kg 3P Type	900	
7	Disk harrow	3P Type	Max. Size		24 in. x 28	
			Max. Harrowing Width	mm	3300	
			Max. Weight	kg	900	
		Drawbar Type	Max. Harrowing Width	mm	4300	
8	Disc Plow		Max. Size		28 in. x 4	
			Max. Weight	kg	900	
9	Sub Soiler		Numbers of Cultivating Tines		3	
			Cultivating Depth	mm	550	
10	Cultivator		Max. Width	mm	5490	
			Number of Rows		6	
			Max. Weight	kg	900	
11	Front Blade *1, *2		Max. Cutting Width	mm	2600	
			Max. Oil Pressure	MPa (kgf/cm ²)	19.6 (200)	
12	Rear Blade		Max. Cutting Width	mm	2600	
			Max. Oil Pressure	MPa (kgf/cm ²)	19.6 (200)	
13	Front Loader *1, *2		Max. Lifting Capacity (Bucket pivot pin, max height) *3	kg	1950	
			Max. Oil Pressure (extra hydro kit)	MPa (kgf/cm ²)	20.5 (209)	
14	Box Blade		Max. Cutting Width	mm	2430	
			Max. Weight	kg	800	
15	Snow Blade		Max. Width	mm	2600	
			Max. Weight	kg	800	

NOTE :

- Implement size may vary depending on soil operating conditions.
- *1 Must remove front weight with this implement.
- *2 Need subframe
- *3 The value contains the weight of KUBOTA standard bucket.

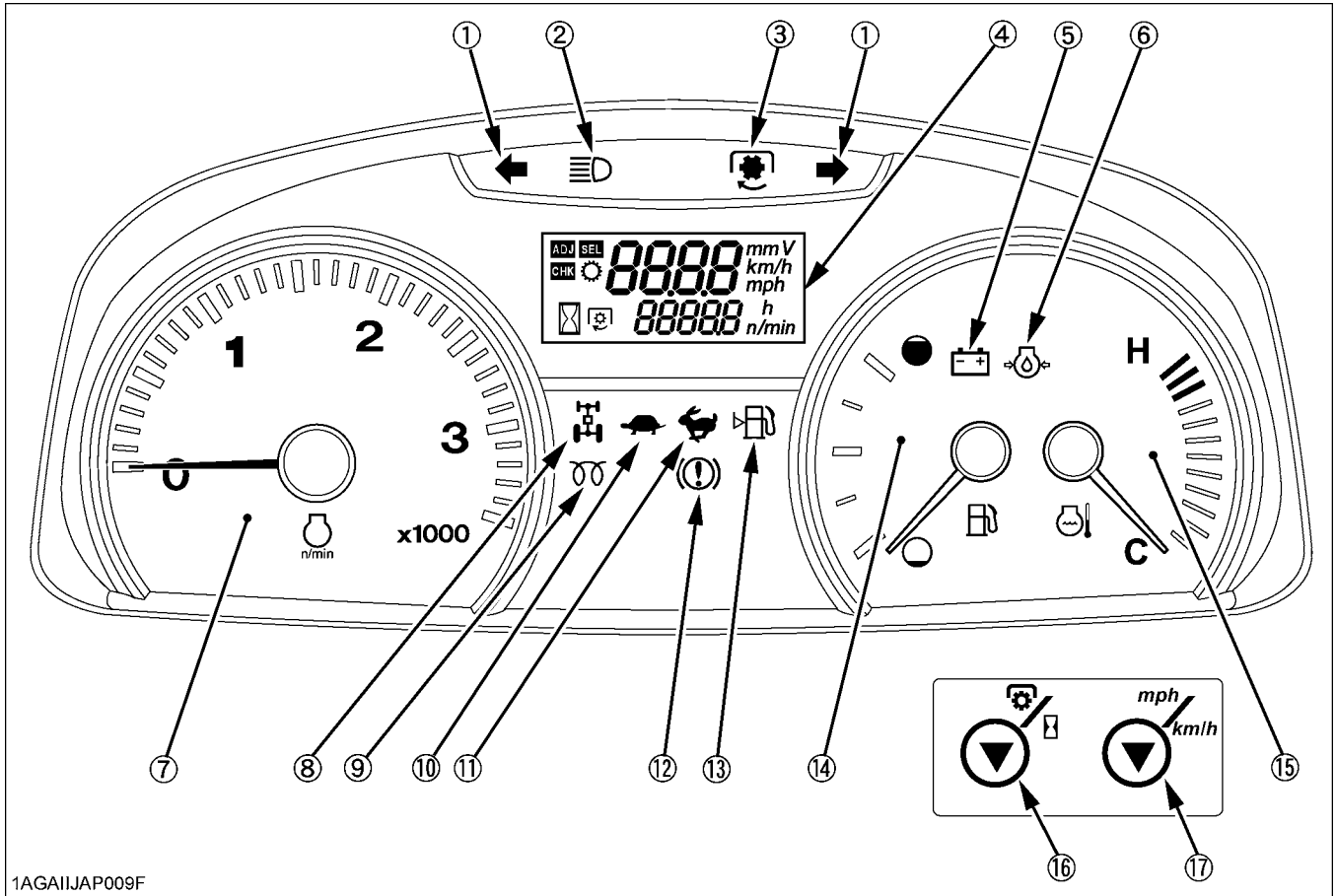
INSTRUMENT PANEL AND CONTROLS

■ Instrument Panel, Switches and Hand Controls



ILLUSTRATED CONTENTS

(1) Horn button.....	20
(2) Hydraulic-shuttle shift lever.....	24
(3) Clutch pedal.....	22
(4) Tilt pedal.....	19
(5) Turn signal / Head light switch.....	19
(6) Hazard light switch.....	20
(7) Key switch.....	-
(8) Foot throttle.....	26
(9) Brake pedal.....	21



1AGAIJAP009F

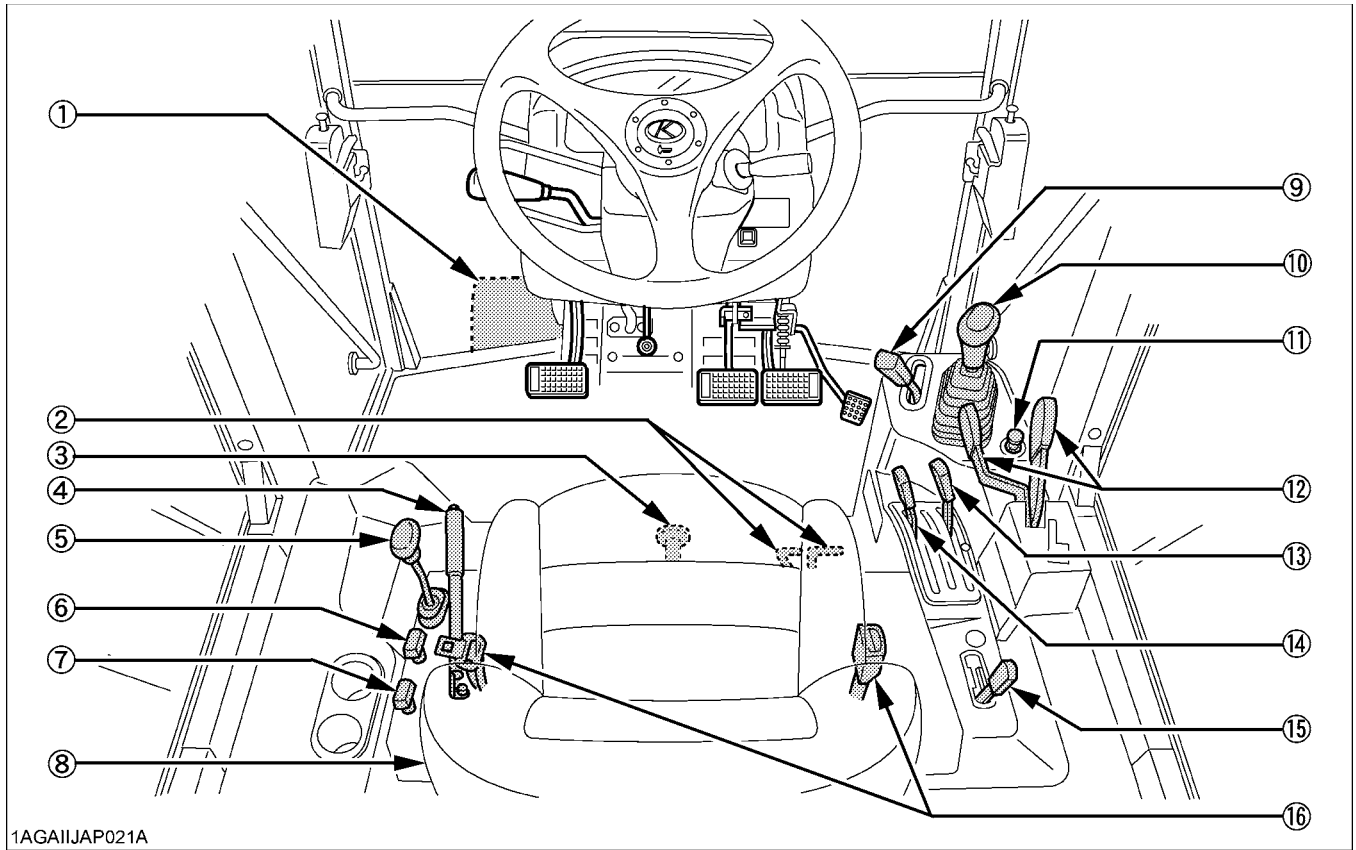
ILLUSTRATED CONTENTS

(1) Hazard / Turn signal indicator	20
(2) High beam indicator	19
(3) PTO clutch indicator.....	36
(4) Liquid crystal display	29
(5) Electrical charge indicator	27
(6) Engine oil pressure indicator	27
(7) Tachometer	28
(8) 4WD indicator	25
(9) Heater indicator	16

ILLUSTRATED CONTENTS

(10) Pilot lamp (LOW).....	23
(11) Pilot lamp (HIGH).....	23
(12) Parking brake / Brake oil indicator	27
(13) Fuel level indicator	27
(14) Fuel gauge.....	28
(15) Coolant temperature gauge.....	28
(16) PTO / Hour meter select switch.....	29
(17) Travel speed select switch.....	29

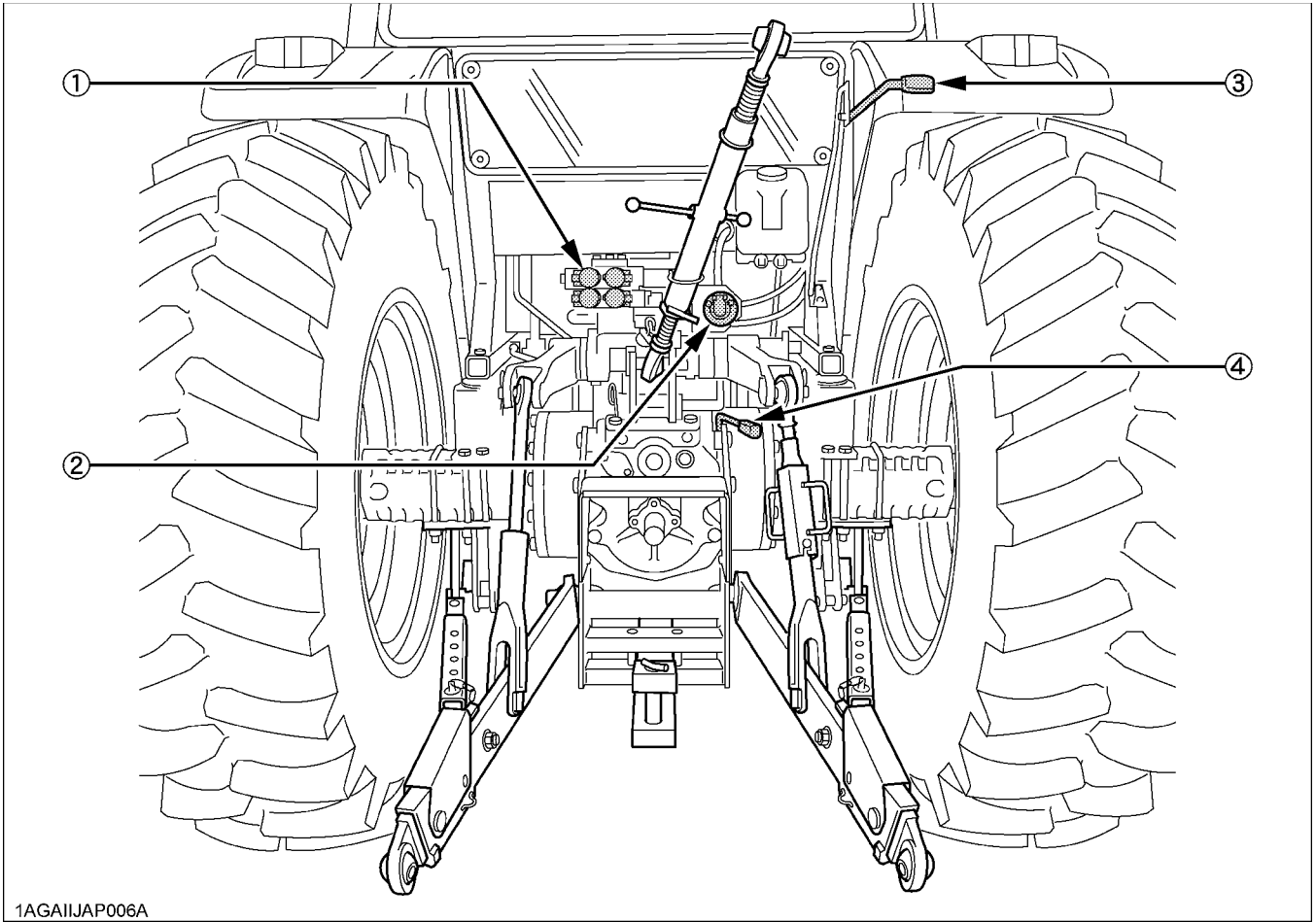
■ Foot and Hand Controls



1AGAIJAP021A

ILLUSTRATED CONTENTS

(1) Tool box.....	-
(2) Differential lock pedal.....	33
(3) 3-Point hitch lowering speed knob.....	44
(4) Parking brake lever.....	13, 26
(5) Range gear shift lever.....	24
(6) Front wheel drive lever.....	25
(7) Creep lever (if equipped).....	24
(8) Operator's seat.....	18
(9) Hand throttle lever.....	26
(10) Main gear shift lever.....	23
(11) Cigarette lighter.....	64
(12) Remote control valve lever.....	45
(13) Position control lever.....	43
(14) Draft control lever.....	43
(15) PTO clutch control lever.....	36
(16) Seat belt.....	19



1AGAIJAP006A

ILLUSTRATED CONTENTS

(1) Remote control valve coupler.....	46
(2) Trailer electrical outlet.....	35
(3) Remote hitch Up / Down lever.....	40
(4) PTO gear shift lever.....	36

PRE-OPERATION CHECK

DAILY CHECK

To prevent trouble from occurring, it is important to know the condition of the tractor well. Check it before starting.



WARNING

To avoid personal injury or death:

- **Be sure to check and service the tractor on a level surface with the engine shut off and the parking brake "ON" and implement lowered to the ground.**

Check item

- Walk around inspection
- Check engine oil level
- Check transmission oil level
- Check brake oil level
- Check coolant level
- Clean air conditioner condenser screen
- Check washer liquid level
- Check water separator
- Clean grill and radiator screen
- Clean oil cooler
- Check air cleaner evacuator valve
(When used in a dusty place)
- Check brake pedal
- Check parking brake lever
- Check indicators, gauges and meter
- Check lights
- Check seat belt
- Check movable parts
- Refuel
(See "DAILY CHECK" in "PERIODIC SERVICE" section.)
- Care of danger, warning and caution labels
(See "DANGER, WARNING AND CAUTION LABELS" in "SAFE OPERATION" section.)

OPERATING THE ENGINE



WARNING

To avoid personal injury or death:

- Read and understand "Safe Operation" in the front of this manual.
- Read and understand the danger, warning and caution labels located on the tractor.
- To avoid the danger of exhaust fume poisoning, do not operate the engine in a closed building without proper ventilation.
- Never start engine while standing on ground. Start engine only from operator's seat.
- Make it a rule to set all shift levers to the "NEUTRAL" positions and to place PTO lever in "OFF" position before starting the engine.

IMPORTANT :

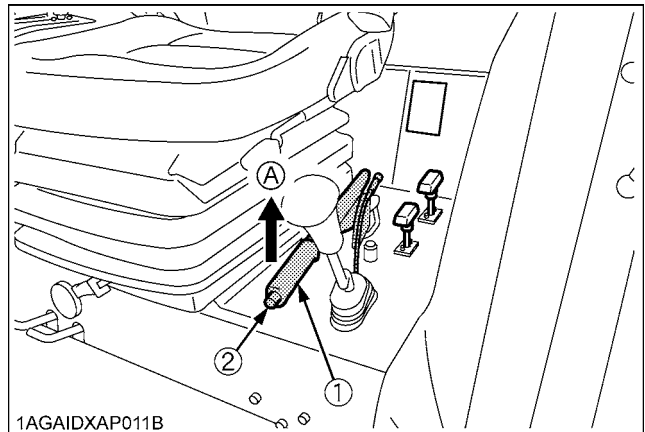
- Do not use starting fluid or ether.
- To protect the battery and the starter, make sure that the starter is not continuously turned for more than 10 seconds.

STARTING THE ENGINE

1. Make sure the parking brake is set.

Pull the parking brake lever up to park.

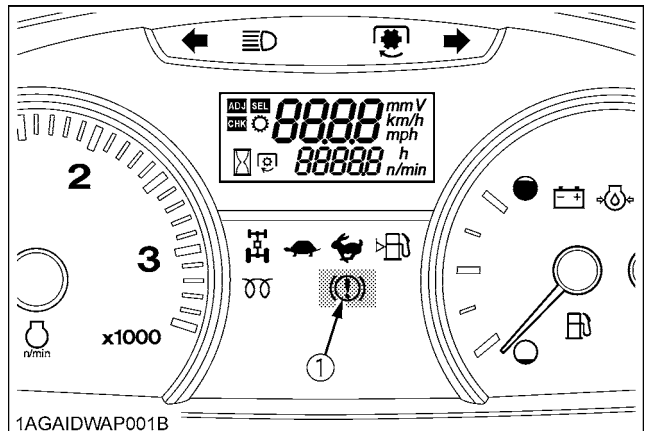
The parking brake indicator light on the Easy Checker(TM) will come on while the parking brake is set.



(1) Parking brake lever

(A) "PULL"

(2) Release button

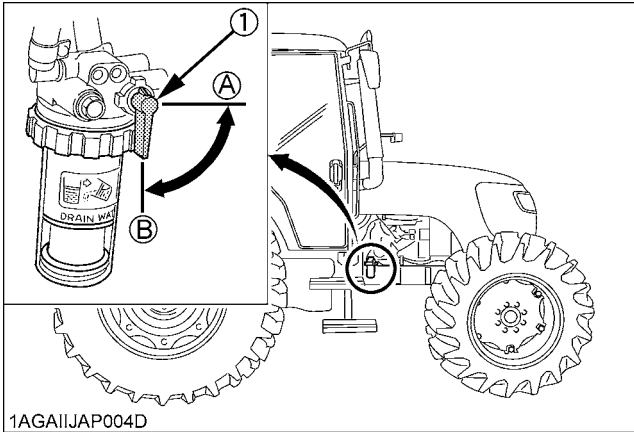


(1) Parking brake indicator light

IMPORTANT :

- If the tractor is operated with the parking brake set, the parking brake will be damaged.

2. Make sure the fuel cock is in the "OPEN" position.

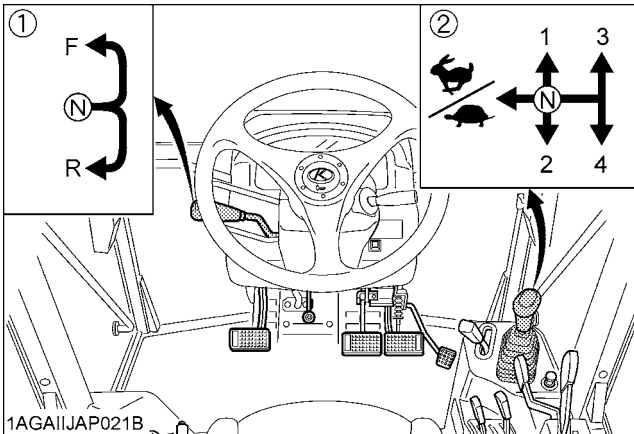


1AGAIJAP004D

(1) Fuel cock

(A) "CLOSE"
(B) "OPEN"

3. Place the shift levers in "NEUTRAL" position.

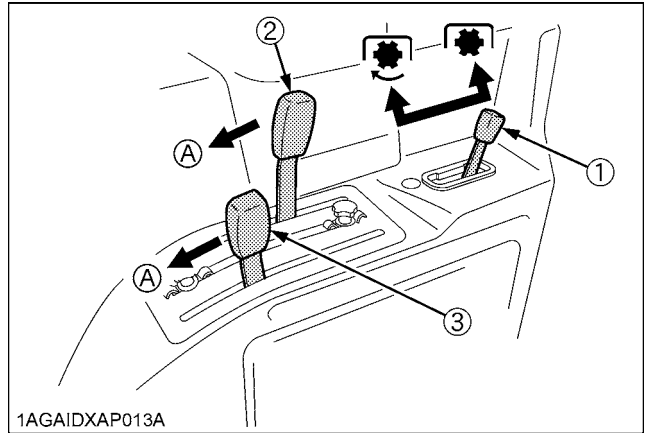


1AGAIJAP021B

(1) Hydraulic-shuttle shift lever
(2) Main gear shift lever

(N) "NEUTRAL POSITION"

4. Place the PTO clutch control lever in "OFF" position and hydraulic control levers in "LOWEST" position.

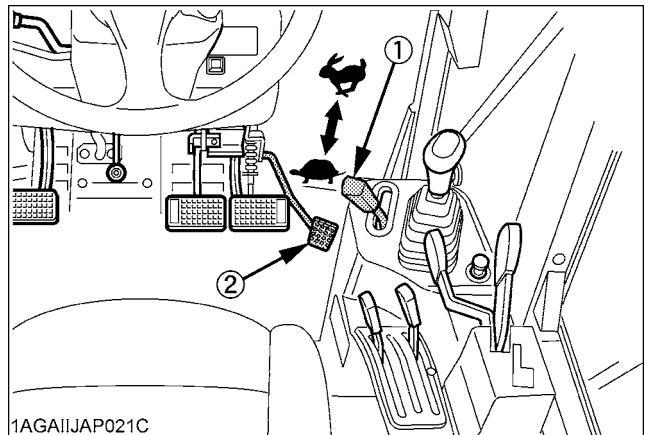


1AGAI DXAP013A

(1) PTO clutch control lever
(2) Position control lever
(3) Draft control lever

☐ "ON" ☐ "OFF"
(A) "DOWN"

5. Set the throttle lever to about 1/2 way.

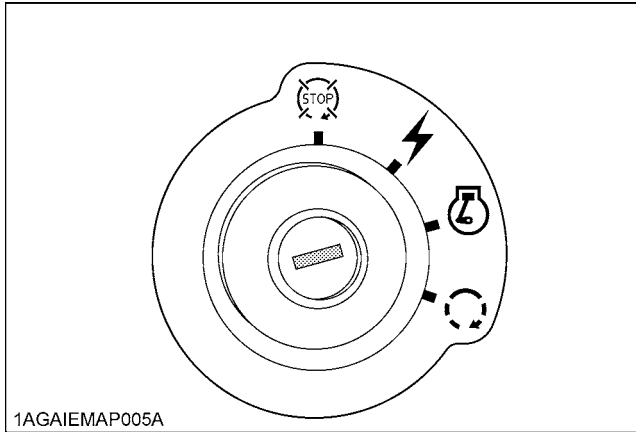


1AGAIJAP021C

(1) Hand throttle lever
(2) Foot throttle

☒ "INCREASE"
☒ "DECREASE"

6. Insert the key into the key switch and turn it "ON".

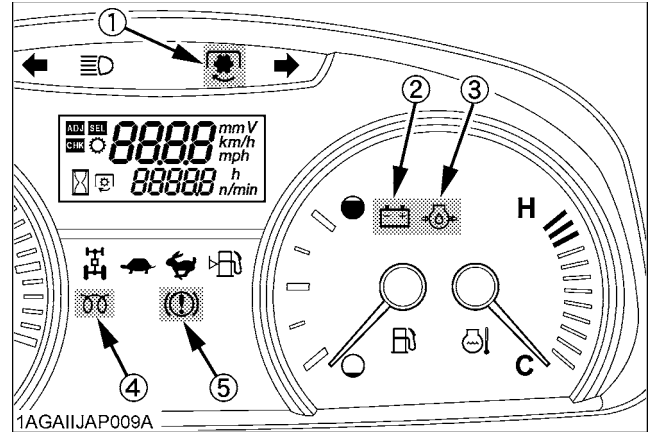


NOTE:

- ACC... ● The accessories can be used while the engine is stopped.
- Do not leave the key at "ACC" position. The battery will be quickly discharged. Turn it back to "OFF" after use.

◆ Check Easy Checker(TM) Lamps:

- When the key is turned "ON", lamps (2) (3) should come on. If trouble should occur at any location while the engine is running, the indicator lamp corresponding to that location comes on.
- Suppose that the engine coolant temperature is not high enough yet. The heater indicator (4) also comes on when the key is turned "ON" to preheat the engine and goes off automatically when preheat is completed. Illumination time of indicator varies according to the temperature of coolant
- The PTO clutch indicator (1) comes on while PTO clutch control lever is engaged "ON" and goes off when disengaged "OFF" it.
- The parking brake / Brake oil warning lamp (5) comes on while parking brake is applied and goes off when it is released.



- | | |
|-----------------------------------|---|
| (1) PTO clutch indicator | (4) Heater indicator |
| (2) Electrical charge indicator | (5) Parking brake / Brake oil indicator |
| (3) Engine oil pressure indicator | |

IMPORTANT :

- Daily checks with the Easy Checker(TM) only, are not sufficient. Never fail to conduct daily checks carefully by referring to Daily Check. (See "DAILY CHECK" in "PERIODIC SERVICE" section.)

7. Fully depress the clutch pedal.

8. Turn the key to "START" position and release when the engine starts.

IMPORTANT :

- Because of the safety devices, the engine will not start except when the PTO clutch control lever is placed in the "OFF" position and main gear shift lever is placed in the "NEUTRAL" position.

9. Check to see that all the indicators on the Easy Checker(TM) are "OFF".

If an indicator is still on, immediately stop the engine and determine the cause.

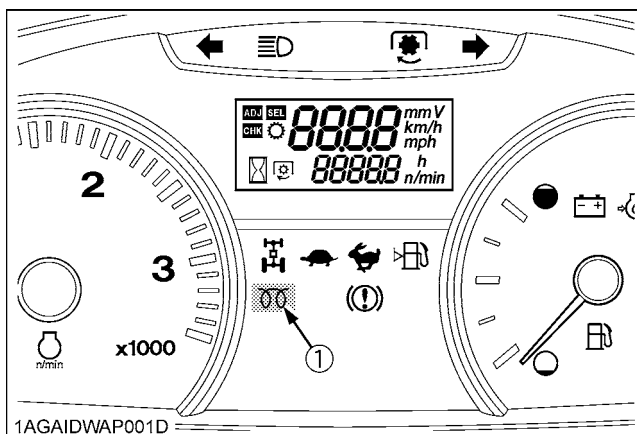
10. Release the clutch pedal.

COLD WEATHER STARTING

If the ambient temperature is below 0 °C and the engine is very cold, follow the procedure below after taking the step 1 through 5 in the previous pages.

6. Turn the key to "ON" position and hold it until the heater indicator turns off.

Heater indicator comes on when the key is turned to "ON" position and engine coolant temperature is below 0 °C, and goes off automatically when preheat is completed.



(1) Heater indicator

7. Fully depress the clutch pedal.

8. Turn the key to the "START" position and the engine should start.

(If the engine fails to start after 10 seconds, turn off the key for 30 seconds. Then repeat steps 6 through 8. To protect the battery and the starter, make sure that the starter is not continuously turned for more than 10 seconds.)

■ Block Heater (if equipped)

A block heater is available as an option from your dealer. It will assist you in starting your tractor when the ambient temperature is below -20 °C.

STOPPING THE ENGINE

1. After slowing the engine to idle, wait 3 to 5 minutes for turbo to slow down and then turn the key to "OFF".
2. Remove the key.

NOTE :

- If key does not stop the engine, consult your local KUBOTA Dealer.

WARMING UP



WARNING

To avoid personal injury or death:

- Be sure to set the parking brake during warm-up.
- Be sure to set all shift levers to the "NEUTRAL" positions and to place PTO lever in "OFF" position during warm-up.

For 5 minutes after engine start-up, allow engine to warm up without applying any load, this is to allow oil to reach every engine part. If load should be applied to the engine without this warm-up period, trouble such as seizure, breakage or premature wear may develop.

■ Warm-up and Transmission Oil at Low Temperature Range

Hydraulic oil serves as transmission fluid. In cold weather, the oil may be cold with increased viscosity. This can cause delayed oil circulation or abnormally low hydraulic pressure for some time after engine start-up. This in turn can result in trouble in the hydraulic system.

To prevent the above, observe the following instructions: Warm up the engine at about 50 % of rated rpm according to the table below:

Ambient temperature	Warm-up time requirement
Higher than -10 °C	Approx. 10 minutes
-15 to -10 °C	10 to 20 minutes
-20 to -15 °C	20 to 30 minutes
Below -20 °C	More than 30 minutes

IMPORTANT :

- Do not operate the tractor under full load condition until it is sufficiently warmed up.

JUMP STARTING



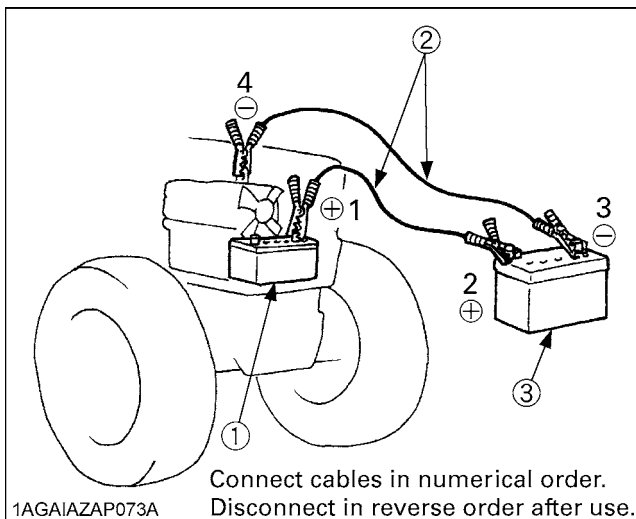
WARNING

To avoid personal injury or death:

- Battery gases can explode. Keep cigarettes, sparks, and flames away from battery.
- If tractor battery is frozen, do not jump start engine.
- Do not connect the other end of the negative (-) jumper cable to the negative (-) terminal of the tractor battery.

When jump starting the engine, follow the instructions below to safely start the engine.

1. Bring the helper vehicle with a battery of the same voltage as disabled tractor within easy cable reach. "THE VEHICLES MUST NOT TOUCH".
2. Engage the parking brakes of both vehicles and put the shift levers in neutral. Shut both engines off.
3. Wear eye protection and rubber gloves.
4. Attach the red clamp to the positive (red, (+) or pos.) terminal of the dead battery and clamp the other end of the same cable to the positive (red, (+) or pos.) terminal of the helper battery.
5. Clamp the other cable to the negative (black, (-) or neg.) terminal of the helper battery.
6. Clamp the other end to the engine block or frame of the disabled tractor as far from the dead battery as possible.
7. Start the helper vehicle and let its engine run for a few moments. Start the disabled tractor.
8. Disconnect the jumper cables in the exact reverse order of attachment. (Steps 6, 5 and 4)



- (1) Dead battery
 (2) Jumper cables
 (3) Helper battery

IMPORTANT :

- This machine has a 12 volt negative (-) ground starting system.

- Use only same voltage for jump starting.
- Use of a higher voltage source on tractor's electrical system could result in severe damage to tractor's electrical system.

Use only matching voltage source when "Jump starting" a low or dead battery condition.

- Do not operate the tractor with the battery cable disconnected from the battery.
- Do not operate the tractor without the battery mounted.
- Do not operate the tractor with the battery dead. Charge the battery fully enough before operating the tractor. Otherwise the tractor might malfunction.

OPERATING THE TRACTOR

OPERATING NEW TRACTOR

How a new tractor is handled and maintained determines the life of the tractor.

A new tractor just off the factory production line has been, of course, tested, but the various parts are not accustomed to each other, so care should be taken to operate the tractor for the first 50 hours at a slower speed and avoid excessive work or operation until the various parts become "broken-in". The manner in which the tractor is handled during the "breaking-in" period greatly affects the life of your tractor.

Therefore, to obtain the maximum performance and the longest life of the tractor, it is very important to properly break-in your tractor. In handling a new tractor, the following precautions should be observed.

■ Do not Operate the Tractor at Full Speed for the First 50 Hours.

- Do not start quickly nor apply the brakes suddenly.
- In winter, operate the tractor after fully warming up the engine.
- Do not run the engine at speeds faster than necessary.
- On rough roads, slow down to suitable speeds. Do not operate the tractor at fast speed.

The above precautions are not limited only to new tractors, but to all tractors. But it should be especially observed in the case of new tractors.

■ Changing Lubricating Oil for New Tractors

The lubricating oil is especially important in the case of a new tractor. The various parts are not "broken-in" and are not accustomed to each other; small metal grit may develop during the operation of the tractor; and this may wear out or damage the parts. Therefore, care should be taken to change the lubricating oil a little earlier than would ordinarily be required.

For further details of change interval hours.
(See "MAINTENANCE" section.)

STARTING

1. Adjusting the Operator's Position.

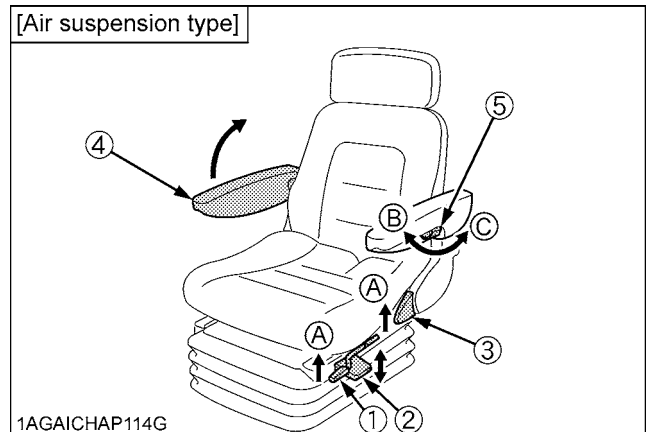
■ Operator's Seat



WARNING

To avoid personal injury or death:

- Make adjustments to the seat only while the tractor is stopped.
- Make sure that the seat is completely secured after each adjustment.
- Do not allow any person other than the operator to ride on the tractor.



(1) Travel adjust lever

(2) Weight / Height adjust lever

(3) Backrest tilt adjust lever

(4) Arm rest

(5) Arm rest angle adjust knob

(A) "UNLOCK"

(B) "TO INCREASE ANGLE"

(C) "TO DECREASE ANGLE"

◆ Travel adjustment

Unlock the travel adjust lever and slide the seat backward or forward, as required. The seat will lock in position when the lever is released.

◆ **Weight and Height adjustment**

Turn on the key switch. The seat should be adjusted for the operator's weight by briefly pulling up or pushing down the weight / height adjust lever with the tractor in a stationary position and the operator sitting on the seat. The seat can be adjusted in its adjustable range.

NOTE :

- If the seat is lowered below the adjustable range, it automatically comes up to the lower limit of the adjustable range just when the weight / height adjust lever is released.
- When turning on the key switch, the seat may slightly move up depending on a preset seat position (height).

IMPORTANT :

- In order to avoid damage of the seat, do not operate the weight / height adjust lever for more than 1 minute.

◆ **Tilt adjustment**

Pull the backrest tilt adjust lever and tilt the backrest to the desired position.

◆ **Arm rest**

Armrest may be set at upright position if desired.

◆ **Arm rest angle adjustment**

Turn the arm rest angle adjust knob to the desired angle.

IMPORTANT :

- After adjusting the operator's seat, be sure to check to see that the seat is properly locked,

■ **Seat Belt**

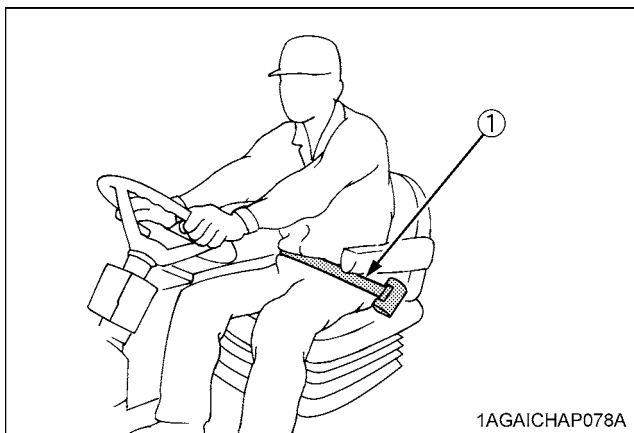


WARNING

To avoid personal injury or death:

- Always use the seat belt when any ROPS or CAB are installed.

Adjust the seat belt for proper fit and connect the buckle. This seat belt is auto-locking retractable type.



(1) Seat belt

■ **Tilt Steering Adjustment**

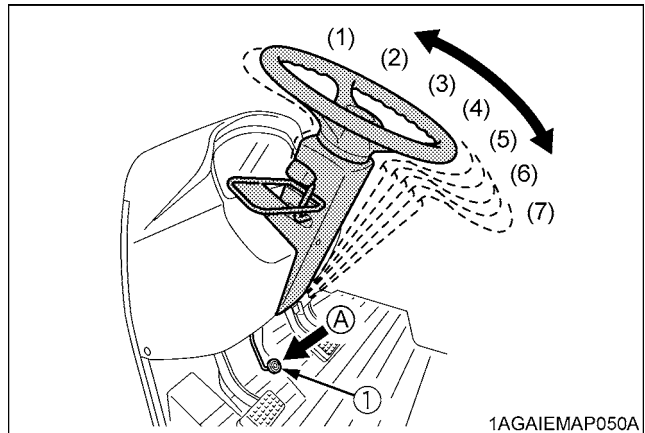


CAUTION

To avoid personal injury:

- Do not adjust the steering wheel while the tractor is in motion.

Press down the steering wheel tilt pedal, to release the lock so the steering wheel can be adjusted to one of 7 desired positions.



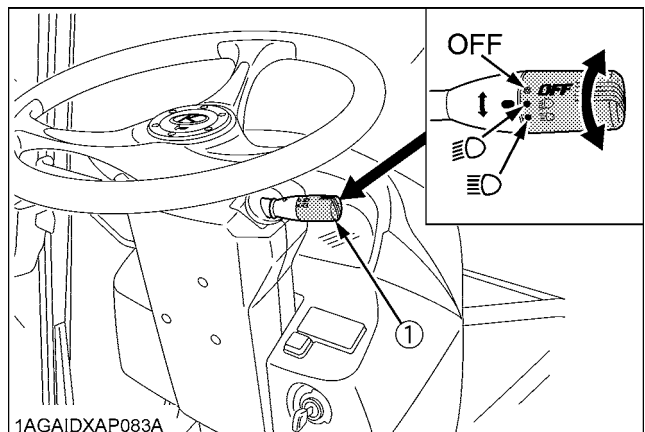
(1) Steering wheel tilt pedal (A) "PRESS DOWN"

2. Selecting Light Switch Position.

■ **Light Switch**

Turn the light switch clockwise, and the following lights are activated on the switch position.

- OFF..... Head lights OFF.
- ☾..... Head lights dimmed, low beam.
- ☼..... Head lights ON, high beam.



(1) Head light switch

■ Turn Signal / Hazard Light Switch

◆ Hazard Light

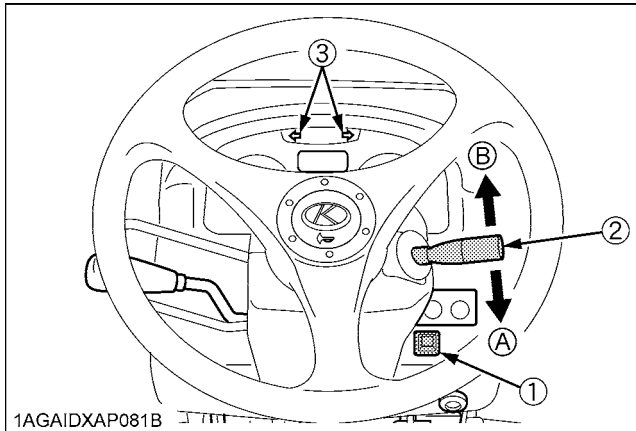
1. When the hazard light switch is pushed, the hazard lights flash, along with the L/H and R/H indicators on the instrument panel.
2. Push the hazard light switch again to turn off the hazard lights.

◆ Turn signal light

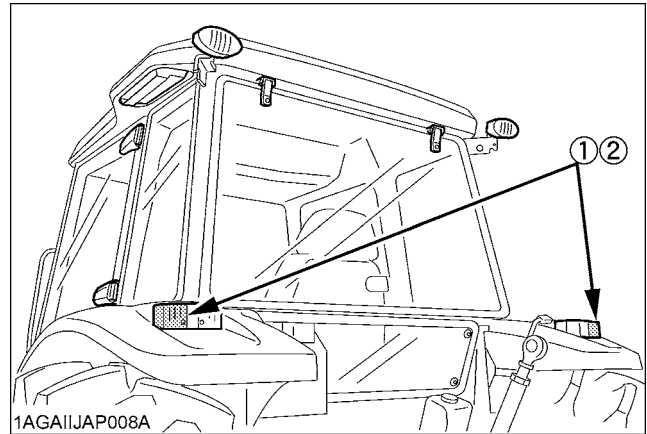
To indicate a right turn, turn the turn signal light switch clockwise. To indicate a left turn, turn the turn signal light switch counter-clockwise. The corresponding right and left turn signal lights and indicator on the instrument panel will flash.

NOTE :

- The hazard light switch is operative when the key switch is in the "ON", "ACC" or "OFF" position.
- The turn signal light switch is only operative when the key switch is in the "ON" position.
- Be sure to return the turn signal switch to center position after turning.



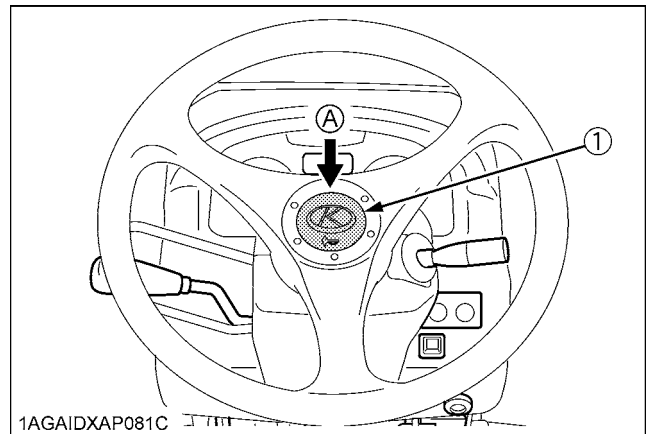
(1) Hazard light switch (A) "RIGHT TURN"
 (2) Turn signal light switch (B) "LEFT TURN"
 (3) Hazard / Turn signal indicator



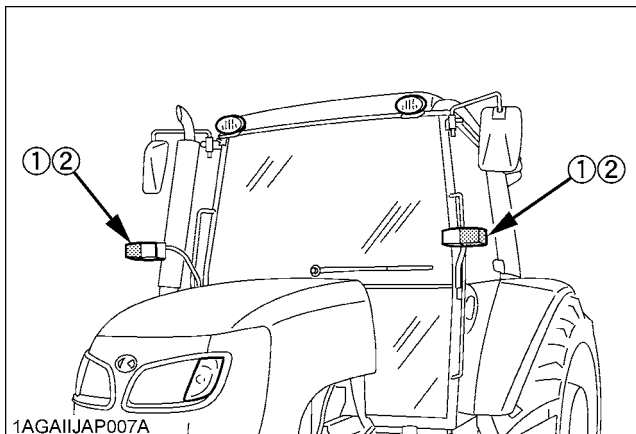
(1) Hazard light
 (2) Turn signal light

■ Horn Button

The horn will sound when the key switch is "ON" position and horn button is pushed.



(1) Horn button (A) "PUSH"



3. Checking the Brake Pedal.

■ Brake Pedals (Right and Left)



WARNING

To avoid personal injury or death:

- Be sure to interlock the right and left pedals.
Applying only one rear wheel brake at high speeds could cause the tractor to swerve or roll-over.
- Be sure brake pedals have equal adjustment when using locked together. Incorrect or unequal brake pedal adjustment can cause the tractor to swerve or roll-over.

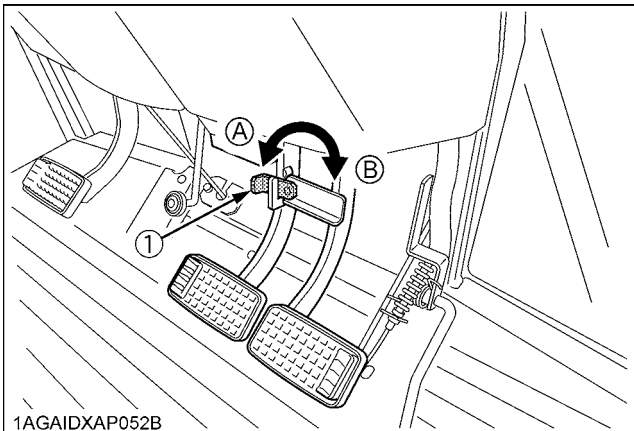


WARNING

To avoid personal injury or death:

- Do not make brake suddenly.
An accident may occur as a result of a heavy towed load shifting forward or loss of control
- To avoid skidding and loss of steering control when driving on icy, wet, or loose surfaces, make sure the tractor is correctly ballasted, operated at reduced speed, operated with front wheel drive engaged (if equipped).
- The braking characteristics are different between 2 and 4-wheel drive. Be aware of the difference and use carefully.

1. Before operating the tractor on the road or before applying the parking brake, be sure to interlock the right and left pedals as illustrated below.
2. Use individual brakes to assist in making sharp turns at slow speeds (Field Operation Only). Disengage the brake pedal lock and depress only one brake pedal.
3. Be sure brake pedals have equal adjustment when using locked together.

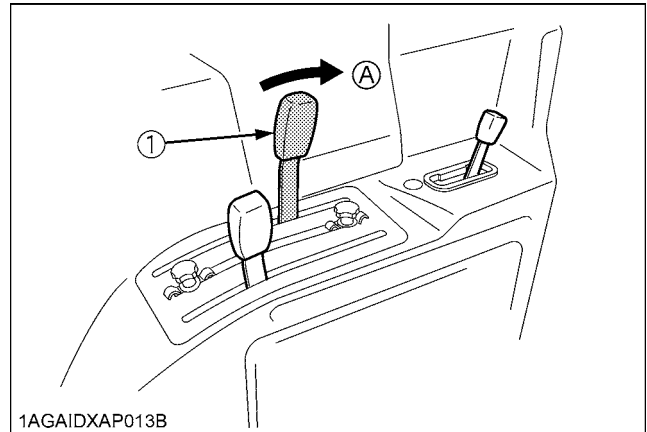


(1) Brake pedal lock

(A) "LOCK"

(B) "RELEASE"

4. Raise the Implement. (see "HYDRAULIC UNIT" section.)



(1) Position control lever

(A) "UP"

5. Depress the Clutch Pedal.

■ Clutch Pedal

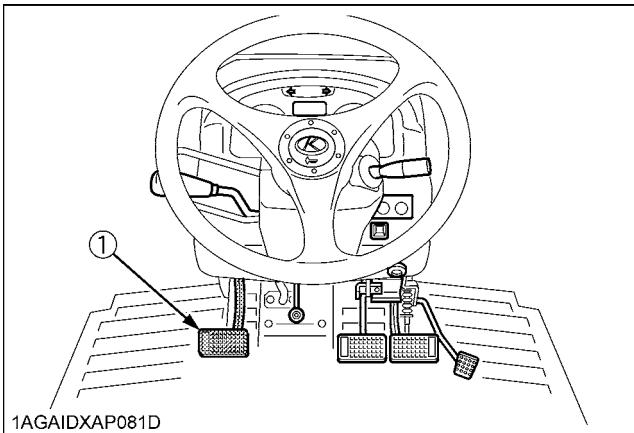


WARNING

To avoid personal injury or death:

- Sudden release of the clutch may cause the tractor to lunge in an unexpected manner.

The clutch is disengaged when the clutch pedal is fully pressed down.



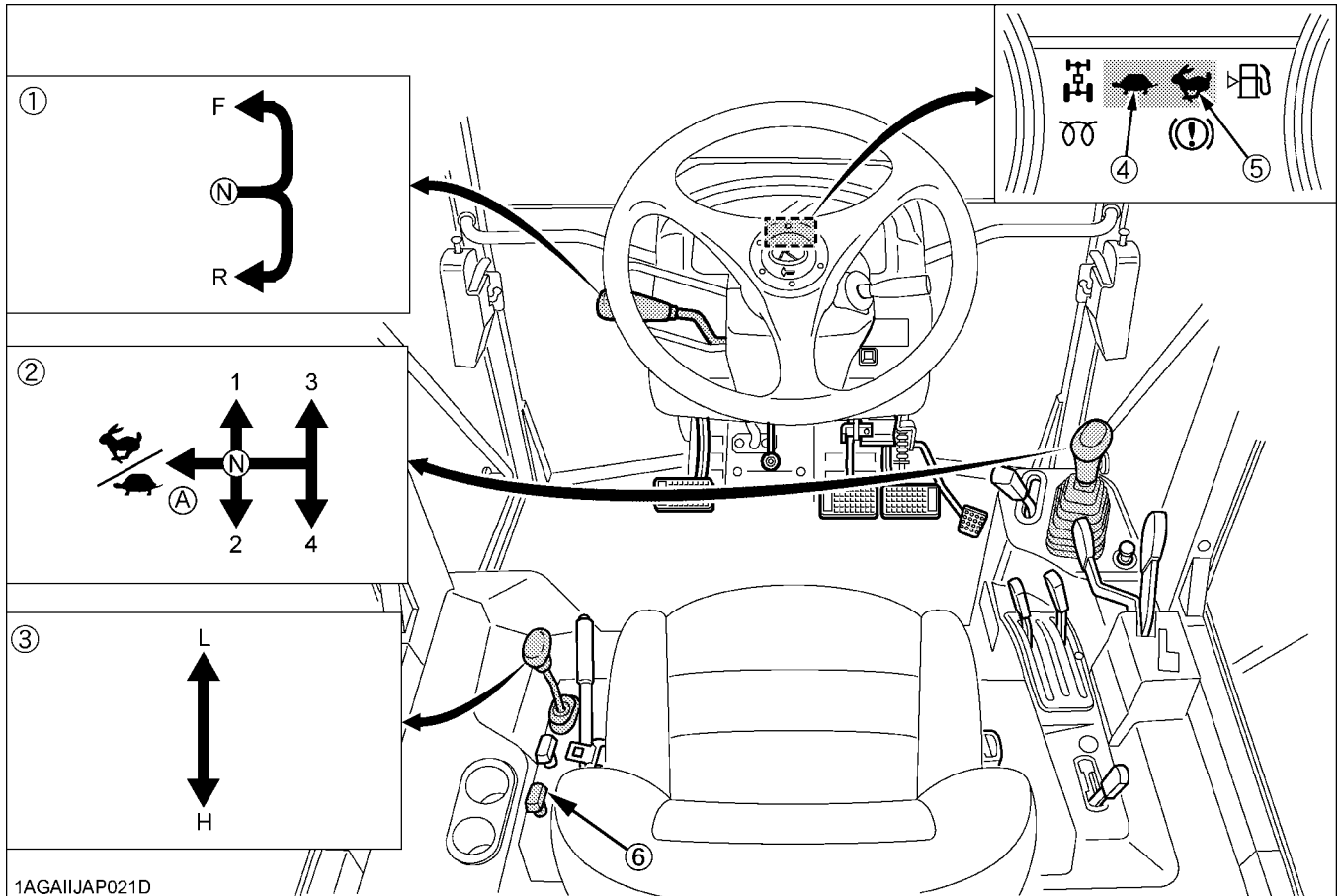
(1) Clutch pedal

IMPORTANT :

To help prevent premature clutch wear:

- The clutch pedal must be quickly disengaged and be slowly engaged.
- Avoid operating the tractor with your foot resting on the clutch pedal.
- Select proper gear and engine speed depending on the type of job.

6. Selecting the Travel Speed.



1AGAIJAP021D

- (1) Hydraulic - shuttle shift lever
- (2) Main gear shift lever
- (3) Range gear shift lever
- (4) Pilot lamp (LOW)
- (5) Pilot lamp (HIGH)
- (6) Creep lever (if equipped)
- (F) "FORWARD"
- (N) "NEUTRAL POSITION"
- (R) "REVERSE"
- ☘ "LOW"
- ☙ "HIGH"
- (A) "PUSH"

By combination of using the shift lever and the shift switch, forward speeds and reverse speeds shown in the table below are obtained.

Without creep	16 forward speeds 16 reverse speeds
With creep	24 forward speeds 24 reverse speeds

Main Gear Shift Lever



WARNING

To avoid personal injury or death:


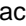


- Before moving the main gear shift lever (1 ↔ 2 ↔ 3 ↔ 4), make sure the pilot lamp is on. If the pilot lamp fails to come on, stop the tractor completely and start the gear shifting all over.
- Do not shift between ☘ and ☙ on a downhill way. The shifting may fail. Be sure to do the shifting before going downhill.

1. 8 speeds can be selected by the main gear shift lever.
2. The main gear shift is fully synchronized to shift without stopping.

IMPORTANT :

- The main gear shift may be shifted between speeds on-the-go, but clutch must be depressed.

◆ **Shifting between  and **

1. Keep the engine running and the main gear shift lever at "neutral". Move the lever against the left-side face, and the speed changes each time between  and . Be sure to use the clutch while shifting.
2. The pilot lamps (4) and (5) indicate that the shift is changed between  and .
3. The buzzer sounds when the shifting is underway (with both the pilot lamps (4) and (5) off).

■ **Range Gear Shift Lever**

The range gear shift can only be shifted when the tractor is completely stopped and the clutch is depressed.

IMPORTANT :

- To avoid transmission damage, depress clutch pedal and stop the tractor before shifting between ranges.


■ **Hydraulic-Shuttle Shift Lever**

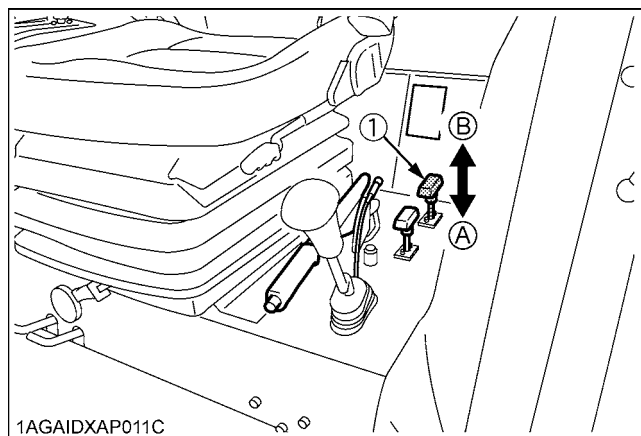
Raise up and shift the shuttle shift lever forward to obtain forward speeds and shift back to obtain reverse speeds. This shifting does not require clutch operation.

IMPORTANT :

- The hydraulic-shuttle shift lever may be shifted while the tractor is moving slowly.

■ **Creep Lever (if equipped)**

Push down the creep lever at "" to obtain low speeds with range gear shift lever is selected "L" range. With the creep lever engaged (ON), the range gear shift lever cannot shift to "H". (The creep mode does not operate in the high-speed range.) This shifting requires clutch operation.



(1) Creep Lever

(A)  "LOW".....Creep ON
 (B) "HIGH".....Creep OFF

◆ **Creep speed should be used only when doing one of the following jobs:**

1. Deep rotary-tilling and harrowing
2. Planting
3. Turf application

◆ **Creep speed can not be used for any of the followings:**

1. Pulling a trailer
2. Front-loader operation
3. Front-blade operation
4. Earth-moving
5. Entering and leaving a field
6. Loading onto and unloading from a truck



WARNING

To avoid personal injury or death:

- When you leave the tractor, be sure to apply the parking brake and stop the engine.
- **IN APPLYING THE BRAKES:**
 - The torque of the wheel axle is extremely high while creep speed is being used. Be sure to step down on the clutch pedal completely before applying the brakes, or the torque will overcome the brakes.
 - When starting to operate the tractor, be sure to release the parking brakes. Misuse of the brakes may cause damage to the transmission and is therefore not acceptable to KUBOTA for coverage under the warranty.

IMPORTANT :

- Press the clutch pedal completely down and stop the tractor's motion before shifting the creep lever.

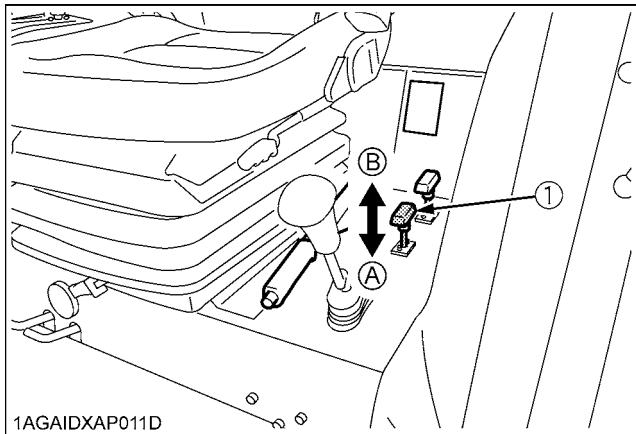
■ Front Wheel Drive Lever

WARNING

To avoid personal injury or death:

- Do not engage the front wheel drive when traveling at road speed.
- When driving on icy, wet, or loose surfaces, make sure the tractor is correctly ballasted to avoid skidding and loss of steering control. Operate at reduced speed and engage front wheel drive.
- An accident may occur if the tractor is suddenly braked, such as by heavy towed loads shifting forward or loss of control.
- The braking characteristics are different between 2 and 4-wheel drive. Be aware of the difference and use carefully.

The front wheel drive lever can be operated with the tractor moving slowly and with the engine decelerating without clutch operation. Shift the lever to "ON" to engage the front wheel drive.

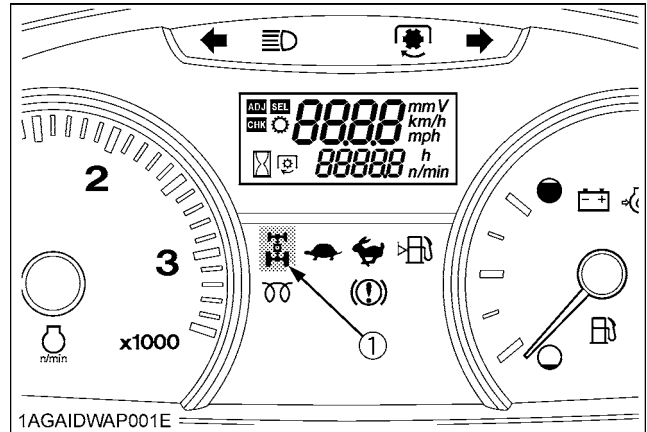


(1) Front wheel drive lever (A) "ON" (B) "OFF"

◆ 4WD Indicator

The 4WD indicator turns on while the front wheel drive lever is in "ON" (4WD) position.

The 4WD indicator goes off when the front wheel drive lever is in "OFF" (2WD) position.



(1) 4WD indicator

NOTE :

- Even when the front wheel drive lever is moved, the 4WD indicator may fail to light up or go out immediately. Just keep on running the tractor, and the indicator will light up or go out accordingly. If the indicator fails to come on or off with the tractor at a stop, turn the steering wheel clockwise and counterclockwise, and the indicator will light up or go out accordingly.

IMPORTANT :

- Tires will wear quickly if front wheel drive is engaged on paved roads.
- Reduce the rear wheels traction before engaging the front wheel drive lever.

◆ Front wheel drive is effective for the following jobs:

1. When greater pulling force is needed, such as working in a wet field, when pulling a trailer, or when working with a front-end loader.
2. When working in sandy soil.
3. When working on a hard soil where a rotary tiller might push the tractor forward.
4. For increased braking at reduced speed.

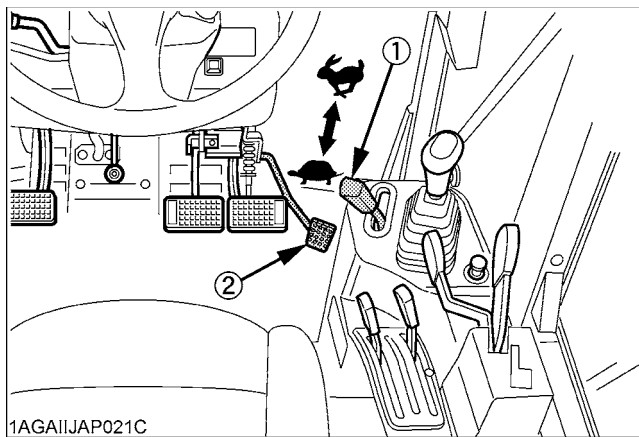
7. Accelerate the Engine.

■ Hand Throttle Lever

Pulling the throttle lever back decreases engine speed, and pushing it forward increases engine speed.

■ Foot Throttle

Use the foot throttle when traveling on the road. Press down on it for higher speed. The foot throttle is interlocked with the hand throttle lever; when using the foot throttle, keep the hand throttle lever in low idling position.



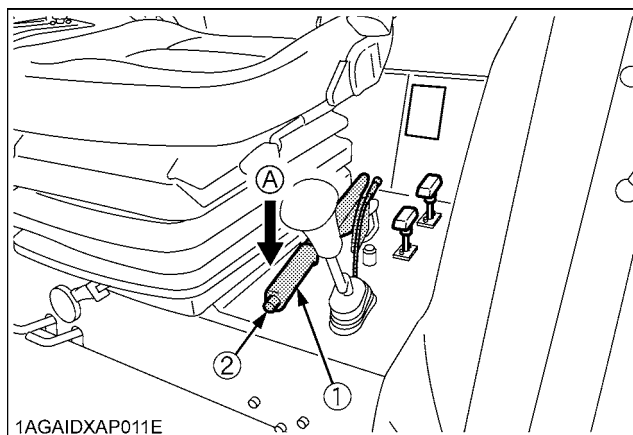
(1) Hand throttle lever
(2) Foot throttle

↖ "INCREASE"
↘ "DECREASE"

8. Unlock the Parking Brake and Slowly Release the Clutch.

■ Parking Brake Lever

To release the parking brake, depress the brake pedal, push the release button and push the parking brake lever down.



(1) Parking brake lever
(2) Release button

(A) "RELEASE"

NOTE :

- The parking brake indicator light on the Easy Checker(TM) will turn off when the parking brake is unlocked.

IMPORTANT :

- Do not attempt to put the tractor in motion before the parking brake indicator light turns off.
If the tractor is operated with the parking brake set, the warning buzzer sounds and the parking brake indicator light starts flashing.
- If the tractor is operated with the parking brake set, the parking brake might be damaged.
- If the parking brake is released but the parking brake indicator light does not go out, check the level of brake oil.

STOPPING

■ Stopping

1. Slow down the engine.
2. Step on the clutch and brake pedal.
3. After the tractor has stopped, disengage the PTO, lower the implement to the ground, shift the transmission to neutral, release the clutch pedal, and set the parking brake.

CHECK DURING DRIVING

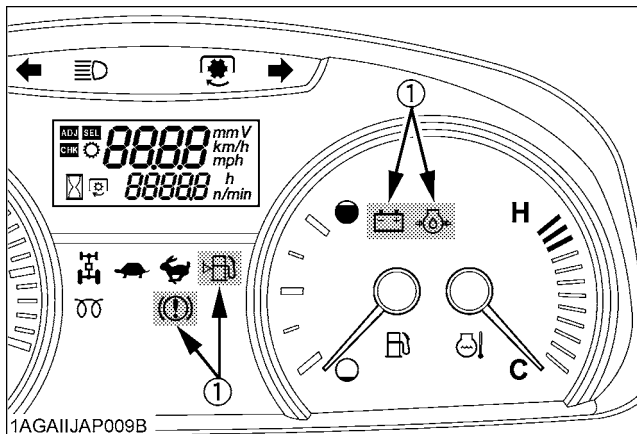
■ Immediately Stop the Engine if:

- The engine suddenly slows down or accelerates,
- Unusual noises are suddenly heard,
- Exhaust fumes suddenly become very dark,

■ Easy Checker(TM)

If the warning lamps in the Easy Checker(TM) come on during operation, immediately stop the engine, and find the cause as shown below.

Never operate the tractor while Easy Checker(TM) lamp is on.



(1) Easy Checker(TM)

⚡ Engine oil pressure

If the oil pressure in the engine goes below the prescribed level, the warning lamp in the Easy Checker(TM) will come on.

If this should happen during operation, and it does not go off when the engine is accelerated to more than 1000 rpm, check level of engine oil.

(See "Checking Engine Oil Level" in "DAILY CHECK" in "PERIODIC SERVICE" section.)

⛽ Fuel level

If the fuel in the tank goes below the prescribed level, the warning lamp in the Easy Checker(TM) will come on. (less than 11.8 L)

If this should happen during operation, refuel as soon as possible.

(See "Checking and Refueling" in "DAILY CHECK" in "PERIODIC SERVICE" section.)

⚠ Alarm against low brake oil level or parking brake operation.

1. The warning lamp in the Easy Checker(TM) comes on if the parking brake is applied.
If the lamp is on during operation, release the parking brake lever immediately.
2. If the tractor is operated with the parking brake set, the warning buzzer sounds and the warning lamp starts flashing. Release the parking brake, and the warning is cleared.
3. If the brake oil goes below the prescribed level, the warning lamp in the Easy Checker(TM) will come on. If this should happen during operation, check to see that there is no oil leak in the brake system, and then add oil.

(See "Checking Brake Oil Level" in "DAILY CHECK" in "PERIODIC SERVICE" section.)

🔋 Electrical charge

If the alternator is not charging the battery, the Easy Checker(TM) will come on.

If this should happen during operation, check the electrical charging system or consult your local KUBOTA Dealer.

NOTE :

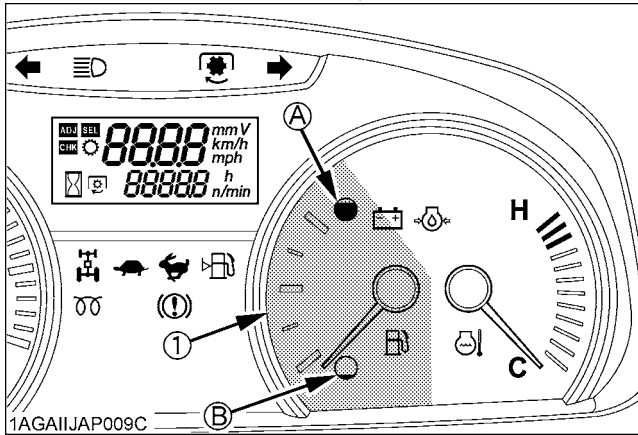
- For checking and servicing of your tractor, consult your local KUBOTA Dealer for instructions.

Fuel Gauge

When the key switch is on, the fuel gauge indicates the fuel level.

Be careful not to empty the fuel tank. Otherwise air may enter the fuel system.

Should this happen, the system should be bled. (See "Bleeding Fuel System" in "SERVICE AS REQUIRED" in "PERIODIC SERVICE" section.)



(1) Fuel gauge

(A) "FULL"
(B) "EMPTY"

Coolant Temperature Gauge

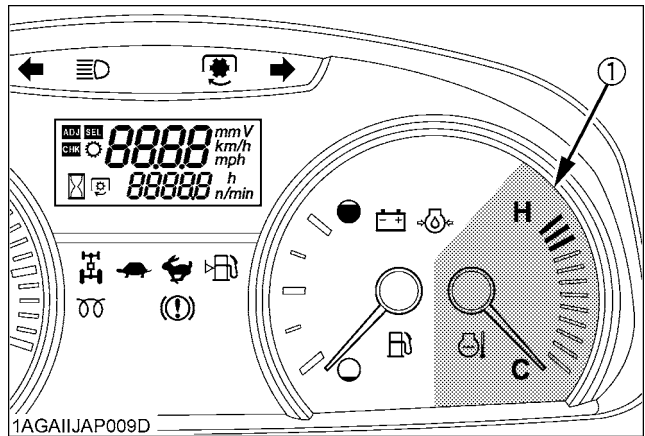


WARNING

To avoid personal injury or death:

- Do not remove radiator cap until coolant temperature is well below its boiling point. Then loosen cap slightly to the stop to relieve any pressure before removing cap completely.

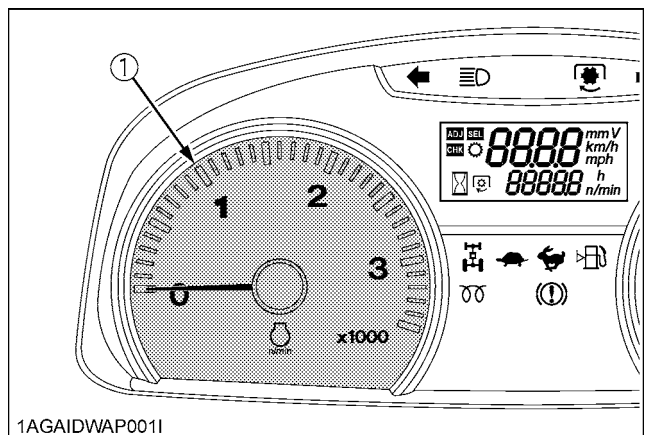
1. With the key switch at "ON", this gauge indicates the temperature of the coolant. "C" for "cold" and "H" for "hot."
2. If the indicator reaches the "H" position (red zone), engine coolant is overheated. Check the tractor by referring to "TROUBLESHOOTING" section.



(1) Coolant temperature gauge

Tachometer

The tachometer indicates the engine speed on the dial.

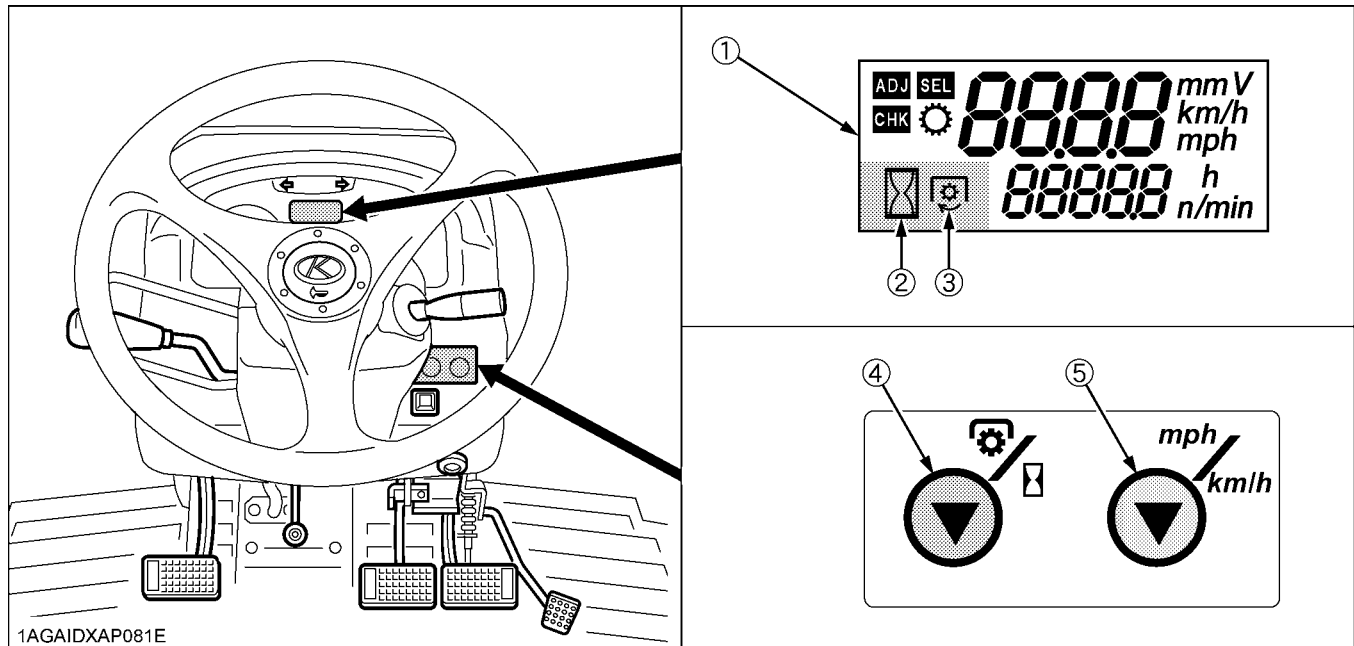


(1) Engine revolution

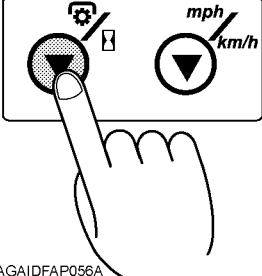


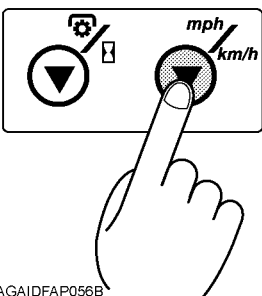


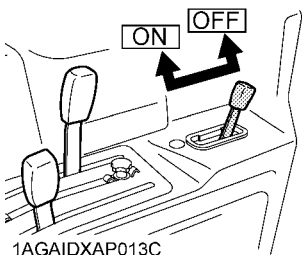


PTO RPM / TRAVEL SPEED MONITOR

■ Changing Display Mode

1. The LCD monitor gives 2 different display modes: "Traveling speed and Hour meter" and "Traveling speed and PTO speed". Each time the PTO/Hour meter select switch is pressed, the mode is switched to the changing display.
2. To switch between "mph" and "km/h" for the traveling speed, use the Traveling speed select switch.
3. The PTO clutch control lever works for the following automatic display modes.
 - 1) PTO clutch control lever ON: Traveling speed and PTO speed are displayed.
 - 2) PTO clutch control lever OFF: Traveling speed and Hour meter are displayed.



- (1) LCD monitor
- (2) Hour Meter indication
- (3) PTO Indication
- (4) PTO / Hour Meter Select Switch
- (5) Traveling Speed Select Switch

<p>1</p>	<p>Display mode switching [Hour meter mode] and [PTO speed mode]</p>  <p>1AGAIDFAP056A</p>	<p>Hour meter mode</p>  <p>1AGAIDFAP072H</p>	<ul style="list-style-type: none"> ● Traveling speed and total operating hours are displayed. ● The hour meter indicates in 5 digits the hours the tractor has been used; the last digit indicates 1/10 of an hour.
		<p>PTO speed mode</p>  <p>1AGAIDFAP072I</p>	<ul style="list-style-type: none"> ● Traveling speed and PTO speed are displayed. ● When the PTO clutch control lever is in "OFF" position, "OFF" is displayed. ● See "PTO Speed Display Mode Switching" in "PTO RPM / TRAVEL SPEED MONITOR" in "OPERATING THE TRACTOR" section.
<p>2</p>	<p>Display mode switching [km/h] and [mph]</p>  <p>1AGAIDFAP056B</p>	<p>km/h (Traveling speed)</p>  <p>1AGAIDFAP072C</p>	
		<p>mph (Traveling speed)</p>  <p>1AGAIDFAP072D</p>	
<p>3</p>	<p>PTO clutch control lever</p>  <p>1AGAIDXAP013C</p>	<p>PTO OFF (Hour meter mode)</p>  <p>1AGAIDFAP072H</p>	<ul style="list-style-type: none"> ● Traveling speed and total operating hours are displayed. ● The hour meter indicates in 5 digits the hours the tractor has been used; the last digit indicates 1/10 of an hour. ● When the PTO / Hour meter select switch is pressed in this state, "OFF" is displayed.
		<p>PTO ON (PTO speed mode)</p>  <p>1AGAIDFAP072I</p>	<ul style="list-style-type: none"> ● Traveling speed and PTO speed are displayed. ● When the PTO / Hour meter select switch is pressed in this state, the display mode switches to hour meter mode.

NOTE :

- The travel speed displayed when the wheels slip under traction is different from the actual one.
- In cold weather the LCD monitor response will normally be slower and the visibility be less, than in warmer weather.

■ PTO Speed Display Mode Switching

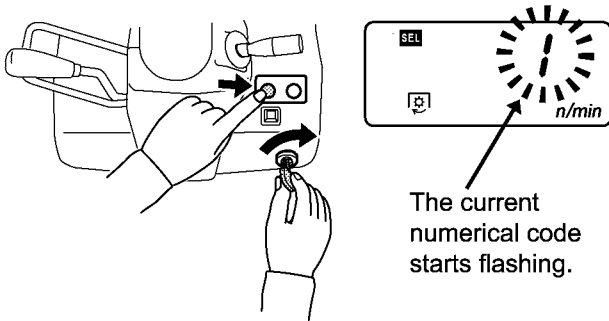
[with 540/540E rpm model]

The PTO speed display mode has been factory-set at Code 3. Do not attempt to change the code. Otherwise the correct PTO speed will not be displayed in the LCD monitor.

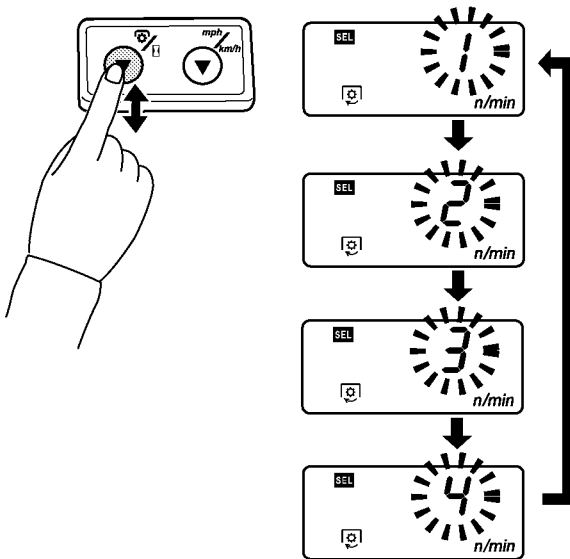
(NOTE: The current code can be checked in the following procedure.)

◆ Switching procedure

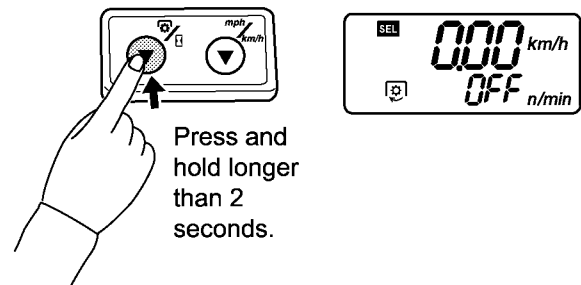
- ① While pressing the PTO/Hour meter select switch, turn the key switch to "ON" position.



- ② Each time the PTO/Hour meter select switch is pressed, the code changes in the order of [1]→[2]→[3]→[4]→[1]. Select the appropriate code according to the table below.



- ③ Press and hold the PTO/Hour meter select switch longer than 2 seconds. The setting is put in memory, and the LCD monitor goes back to the PTO speed display mode.



NOTE:

- The setting will be cancelled if the key switch is turned OFF halfway in the procedure.

Numerical code	PTO speed (rpm)
1	Not select
2	
3	540 / 540E (factory setting)
4	Not select

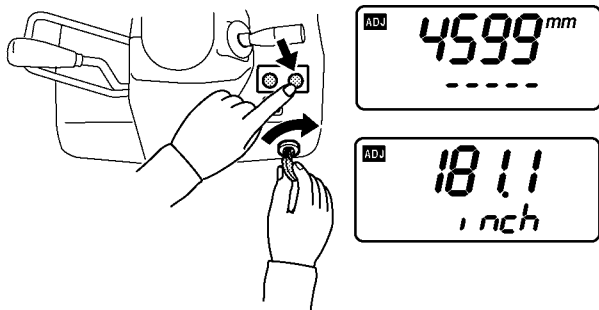
■ Entering the Travel Speed Coefficient

When optional different-diameter tires are fitted on the machine, the travel speed display mode must be changed. Otherwise the travel speed will not get correctly displayed. Such mode switching is also needed when the original tires are back on the machine.

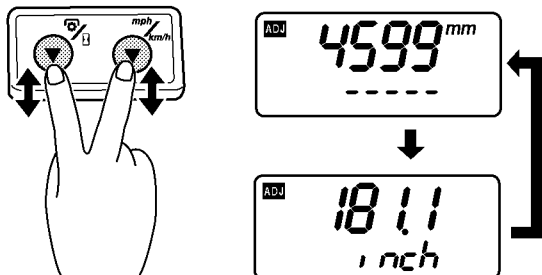
◆ How to enter the tire circumference

Example: Entering 4455 mm.

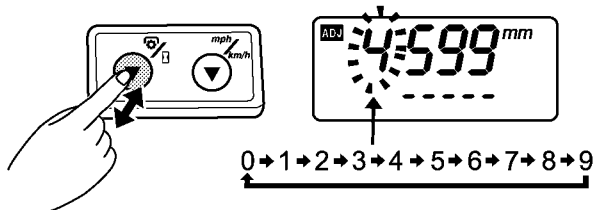
- ① While pressing the Traveling speed select switch, turn the key switch to ON position. The setting of the current tire's circumference is displayed in inches or millimeters. The highest-digit numeral starts flashing.



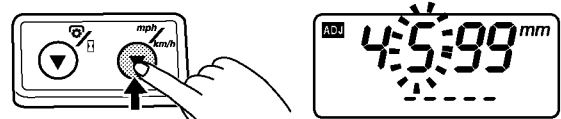
- ② Each time both the PTO/Hour meter select switch and Traveling speed select switch are pressed at the same time, the unit changes for inches or millimeters. Select the inch display mode.



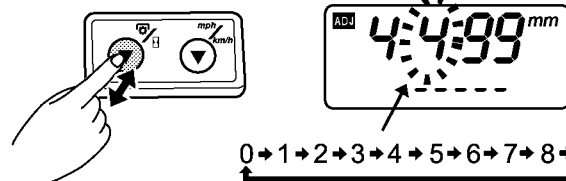
- ③ Note that the highest-digit numeral is flashing. Press the PTO/Hour meter select switch to select "4". (The numeral changes from 0 to 9 at each push of the switch.)



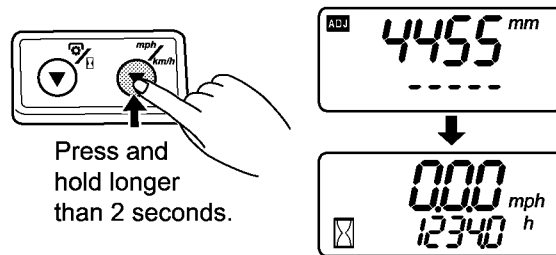
- ④ Press the Traveling speed select switch, and the next highest digit starts flashing.



Now press the PTO/Hour meter select switch to select "4".



- ⑤ Enter "5" and "5" for the remaining digits in the same procedure.
- ⑥ Make sure the entry is "4455". Press and hold the Traveling speed select switch longer than 2 seconds. The setting is put in memory, and the LCD monitor goes back to the Hour meter mode.



NOTE:

- The setting will be cancelled if the key switch is turned OFF halfway in the procedure.

◆ Tire circumference chart

Rear tire size	Entry (mm)
16.9R34	4700
480/70R34 (18.4R34)	4910

PARKING

■ Parking

WARNING

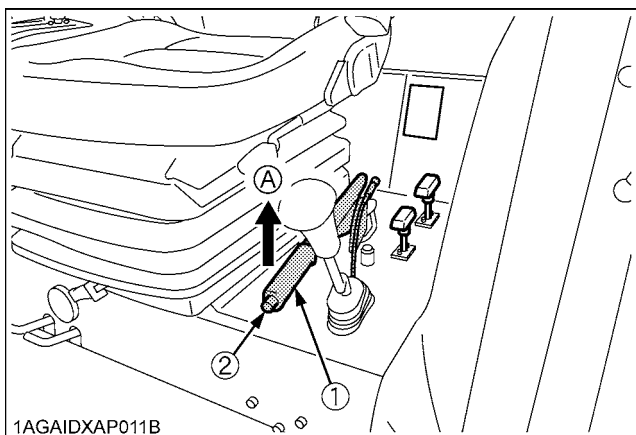
To avoid personal injury or death:
BEFORE DISMOUNTING TRACTOR

- ALWAYS SET PARKING BRAKE AND LOWER ALL IMPLEMENTS TO THE GROUND.

Leaving transmission in gear with the engine stopped will not prevent the tractor from accidental rolling.

- STOP THE ENGINE AND REMOVE THE KEY.

1. Before getting off the tractor, disengage the PTO, lower all implements, place all control levers in their neutral positions, pull the parking brake lever up to park, stop the engine and remove the key.
2. If it is necessary to park on an incline, be sure to chock the wheels to prevent accidental rolling of the machine.



(1) Parking brake lever (A) "PULL"
(2) Release button

IMPORTANT :

- Do not leave your tractor in the rain. If it cannot be avoided, cover the muffler pipe to prevent water entering.

OPERATING TECHNIQUES

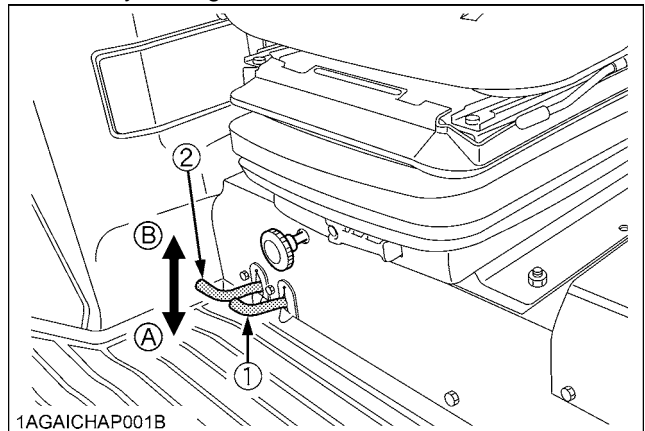
■ Differential Lock

WARNING

To avoid personal injury or death due to loss of steering control:

- Do not operate the tractor at high speed with any differential lock engaged.
- Do not attempt to turn with the rear wheel or 4-wheel differential lock engaged.
- Be sure to release the rear wheel or 4-wheel differential locks before making a turn in field conditions.

1. If the front and/or rear wheels should slip while driving straight in field conditions, step on the 4-wheel differential lock pedal. The 4 wheels will turn together, then reduce slippage.
2. If the front and/or rear wheels slip while in a turn in field conditions, step on the front wheel differential lock pedal only. The front wheels alone will rotate together for easy turning.



(1) 4-wheel differential lock pedal (Rear and Front wheel) (A) Press to "ENGAGE"
(2) Front wheel differential lock pedal (Front wheel only) (B) Release to "DISENGAGE"

IMPORTANT :

- When using the differential lock, always slow the engine down.
- To prevent damage to power train, do not engage differential lock when one wheel is spinning and the other is completely stopped.
- To prevent damage to power train, do not attempt to turn the tractor when 4-wheel differential lock pedal is pressed down.
- If the differential lock cannot be released:
 - 4-wheel differential lock pedal:
 - Step lightly on the brake pedals alternately.
 - Front wheel differential lock pedal:
 - Turn the steering wheel alternately.

■ Operating the Tractor on a Road



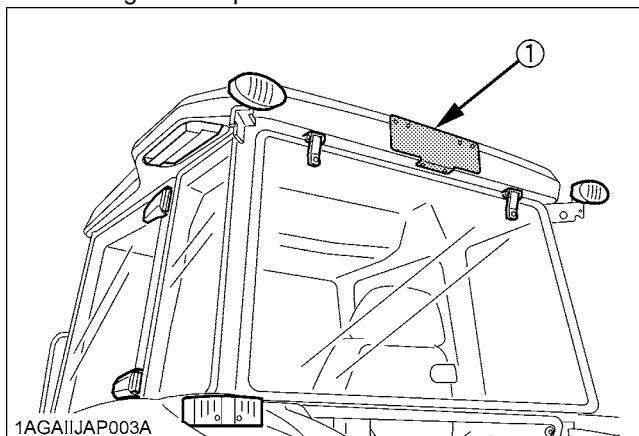
WARNING

To avoid personal injury or death:

- To help assure straight line stops when driving at transport speeds, lock the brake pedals together. Uneven braking at road speeds could cause the tractor to roll-over.
- When traveling on road with 3-point hitch mounted implement attached, be sure to have sufficient front weight on the tractor to maintain steering ability.

Observe all local traffic and safety regulations.

Use the registration plate.



(1) Registration plate

■ Operating on Slopes and Rough Terrain



WARNING

To avoid personal injury or death:

- Always back up when going up a steep slope. Driving forward could cause the tractor to tip over backward. Stay off hills and slopes too steep for safe operation.
- Avoid changing gears when climbing or descending a slope.
- If operating on a slope, never disengage the clutch or shift levers to neutral. Doing so could cause loss of control.
- Do not drive the tractor close to the edges of ditches or banks which may collapse under the weight of the tractor. Especially when the ground is loose or wet.

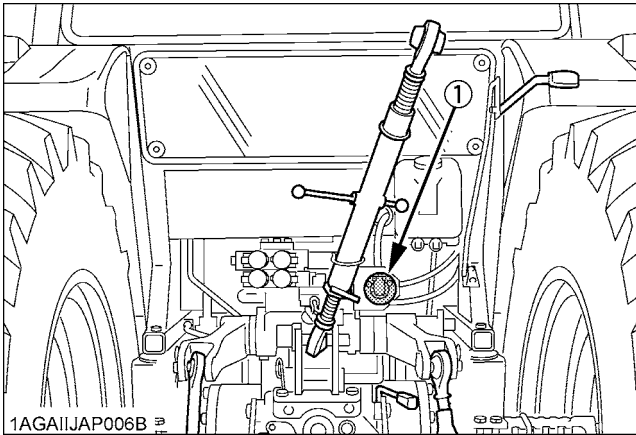
1. Be sure wheel tread is adjusted to provide maximum stability.
(See "WHEEL ADJUSTMENT" in "TIRES, WHEELS AND BALLAST" section.)
2. Slow down for slopes, rough ground, and sharp turns, especially when transporting heavy, rear mounted equipment.
3. Before descending a slope, shift to a gear low enough to control speed without using brakes.

■ Directions for Use of Power Steering

1. Power steering is activated only while the engine is running. Slow engine speeds make the steering a little heavier. While the engine is stopped, the tractor functions in the same manner as tractors without power steering.
2. When the steering wheel is turned all the way to the stop, the relief valve is activated. Do not hold the steering wheel in this position for a long period of time.
3. Avoid turning the steering wheel while the tractor is stopped, or tires may wear out sooner.
4. The power steering mechanism makes the steering easier. Be careful when driving on a road at high speeds.

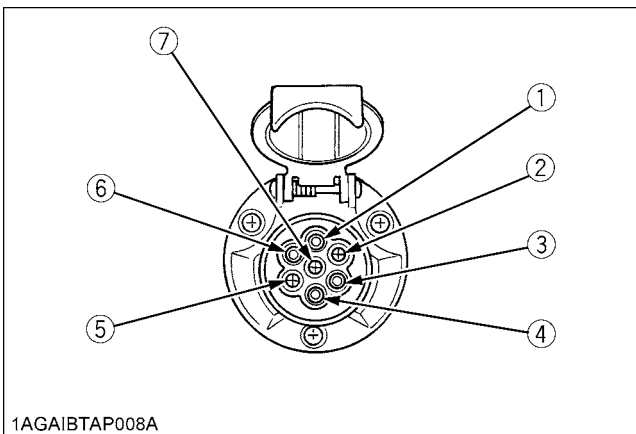
Trailer Electrical Outlet

A trailer electrical outlet is supplied for use with trailer or implement.



(1) Trailer electrical outlet

Function of each terminals in trailer electrical outlet



Terminal	Function
(1)	Turn signal light (LH)
(2)	---
(3)	Ground
(4)	Turn signal light (RH)
(5)	Tail light Sidemarker light Parking light
(6)	Brake stop light
(7)	Registration plate light

PTO

PTO OPERATION



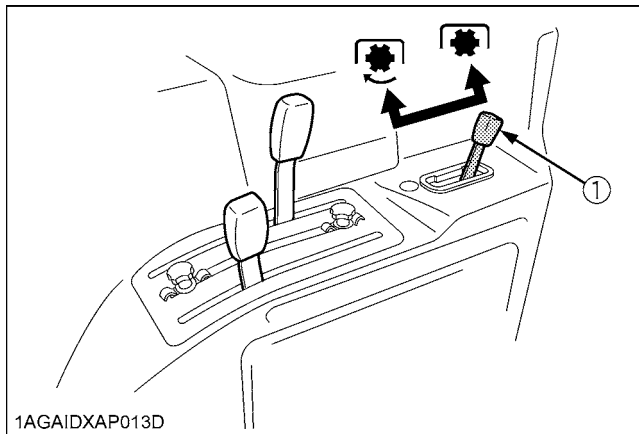
WARNING

To avoid personal injury or death:

- Disengage PTO, stop engine, and allow all rotating components to come to a complete stop before connecting, disconnecting, adjusting, or cleaning any PTO driven equipment.

■ PTO Clutch Control Lever

The PTO clutch control lever engages or disengages the PTO clutch which gives the PTO independent control. Shift the lever to "ON" to engage the PTO clutch. Shift the lever to "OFF" to disengage the PTO clutch.



(1) PTO clutch control lever "ON" "OFF"

IMPORTANT :

- To avoid shock loads to the PTO, reduce engine speed when engaging the PTO, then open the throttle to the recommended speed.
- To avoid damage of PTO clutch and implement, shift the PTO clutch control lever slowly, when engaging the PTO clutch. Do not keep the PTO clutch control lever half way.
Proper warm up is strongly recommended in cold weather.
Do not continuously shift the PTO clutch control lever.

NOTE :

- Tractor engine will not start if PTO clutch control lever is in the engaged "ON" position.
- If the PTO system is engaged and you stand up from the seat, the warning buzzer will whistle for about 10 seconds after standing up.
This is because the tractor is equipped with "Operator Presence Control System".

■ PTO Gear Shift Lever



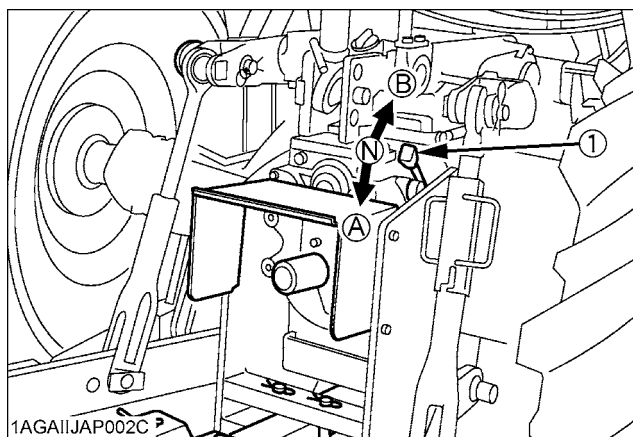
WARNING

To avoid personal injury or death:

- Be sure to observe the PTO shaft speed prescribed for the individual implements. It is extremely dangerous to run an implement at high speed that is meant to be operated at low speed. Use only when this higher rpm is specifically recommended by the implement manufacturer.

The PTO gear shift lever can be set to either 540 rpm or 540E rpm positions.

Move this lever to either position with the PTO clutch control lever set to "OFF".



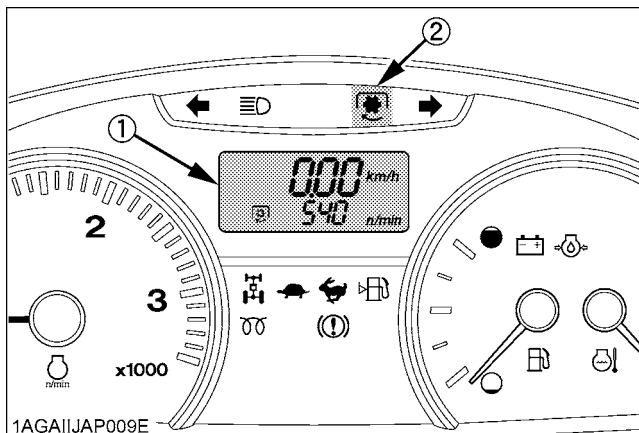
(1) PTO gear shift lever (A) 540 rpm
(B) 540E rpm
(N) "NEUTRAL POSITION"

NOTE :

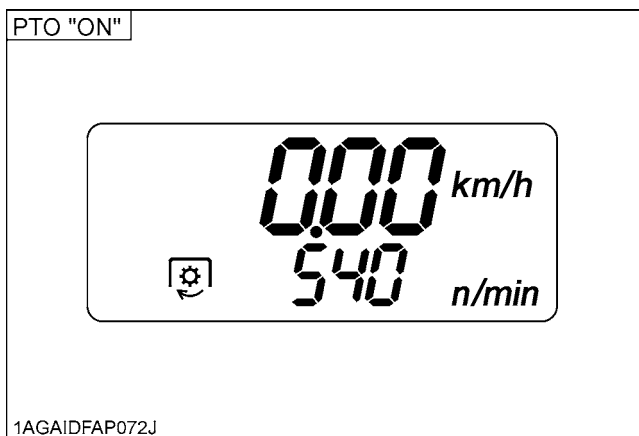
- When light load, select the "540E" position for economical operation.

■LCD Monitor Message

1. The PTO rpm can be checked in the LCD monitor.
(See "PTO RPM / TRAVEL SPEED MONITOR" in "OPERATING THE TRACTOR" section.)
2. When the PTO system gets engaged (ON), the indicator lights up.



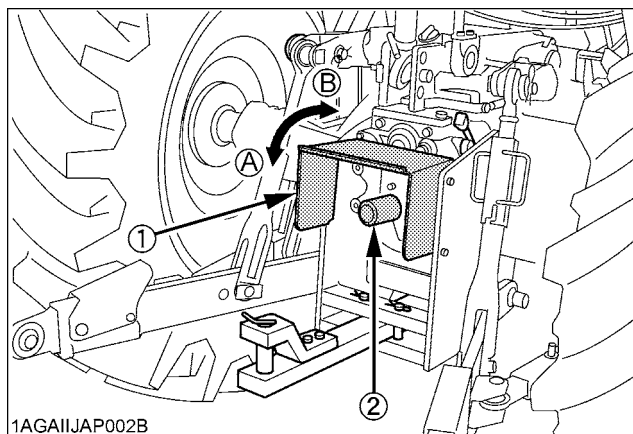
- (1) LCD monitor
(2) PTO clutch indicator



1AGAIJAP072J

■PTO Shaft Cover and Shaft Cap

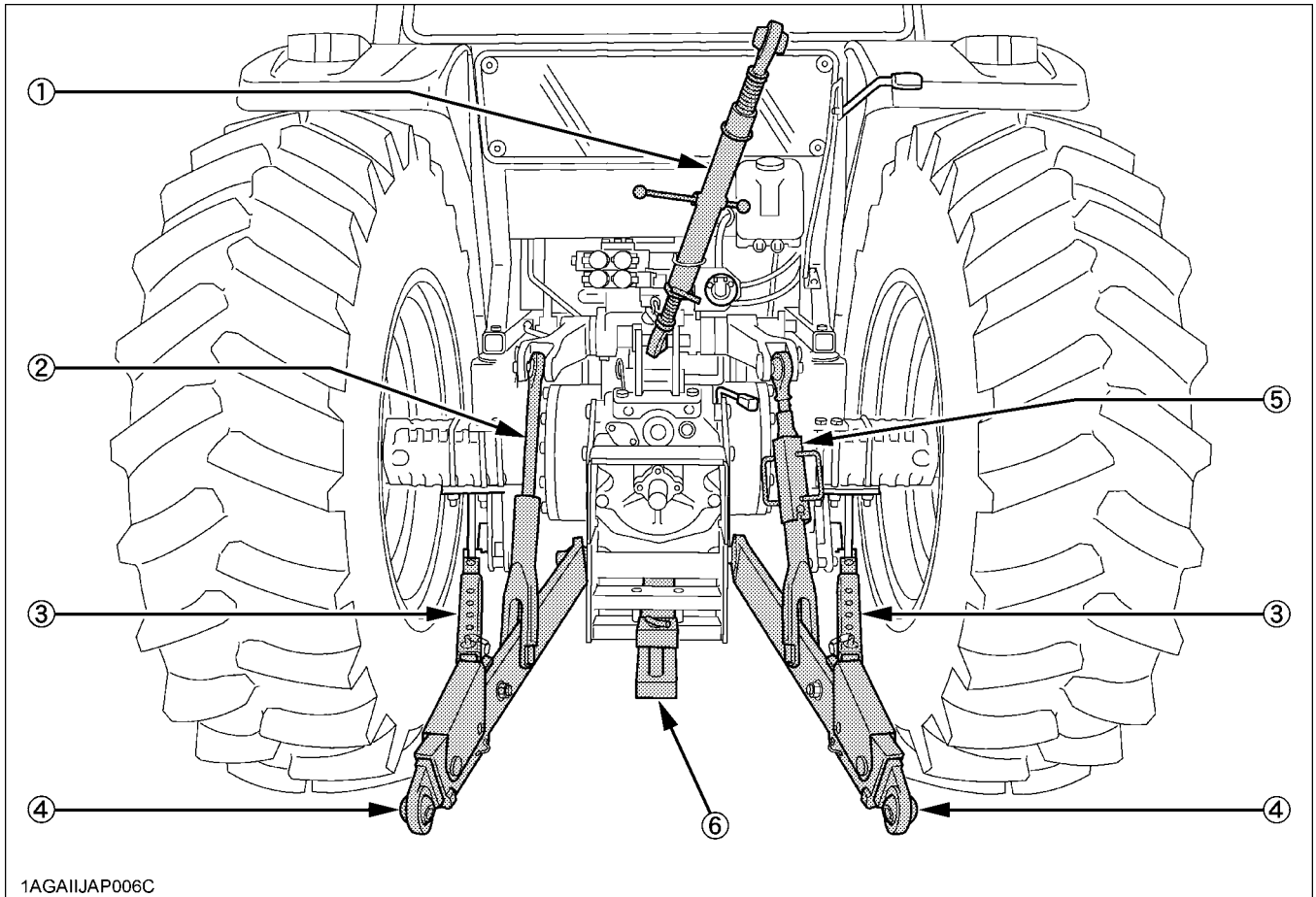
Keep the PTO shaft cover in place at all times. Replace the PTO shaft cap when the PTO is not in use. Before connecting or disconnecting a drive shaft to PTO shaft, be sure engine is "OFF". Raise up the PTO shaft cover. Afterward be sure to return the PTO shaft cover to the "NORMAL POSITION".



- (1) PTO shaft cover
(2) PTO shaft cap

- (A) "NORMAL POSITION"
(B) "RAISED POSITION"

3-POINT HITCH & DRAWBAR



1AGAIJAP006C

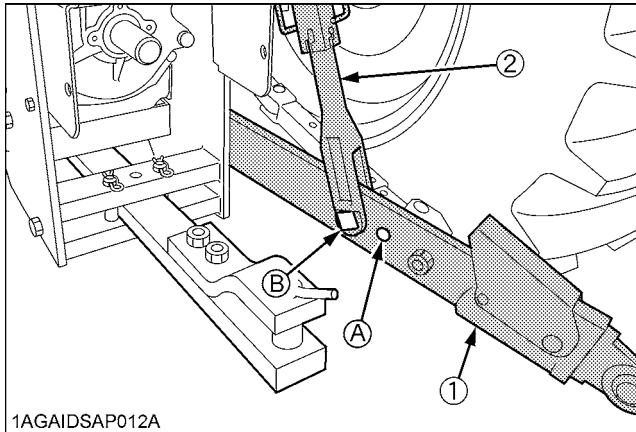
- (1) Top link
- (2) Lifting rod (Left)
- (3) Telescopic stabilizers
- (4) Lower link
- (5) Lifting rod (Right)
- (6) Drawbar

3-POINT HITCH

1. Make preparations for attaching implement.

■ Selecting the holes of Lower Links

There are 2 holes in the lower links. For most operations the lifting rods should be attached to the (B) hole.



(1) Lower link
(2) Lifting rod

holes: (A), (B)

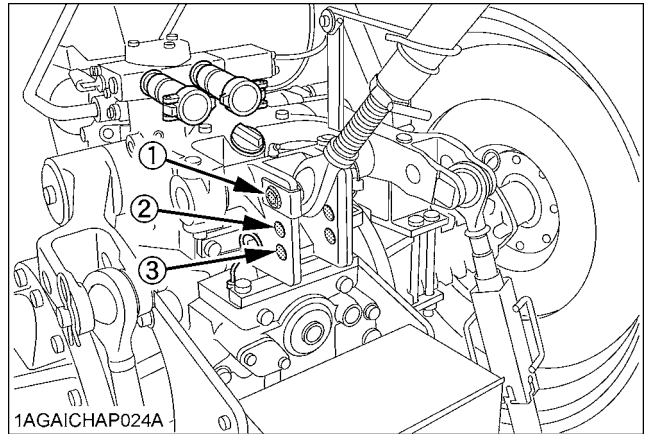
NOTE :

- The lifting rods may be attached to (A) for greater lifting force.

■ Selecting the Top Link Mounting Holes

Select the proper set of holes by referring to the "Hydraulic Control Unit Use Reference Chart" in Hydraulic Unit section.

If the hydraulic unit is set for draft control, draft response is more sensitive when an implement is connected to the lower set of top link mounting holes. If draft control is not required, it is recommended to use the top set (1).



■ Drawbar

Remove the drawbar if a close mounted implement is attached.

2. Attaching and detaching implements



WARNING

To avoid personal injury or death:

- Be sure to stop the engine.
- Do not stand between tractor and implement unless parking brake is applied.
- Before attaching or detaching implement, locate the tractor and implement on a firm level surface.
- Whenever an implement or other attachment is connected to the tractor 3-point hitch, check full range of operation for interference, binding or PTO separation.
- Do not exceed maximum allowable length of either lifting rod, or the lifting rod will come apart and the 3-point equipment may fall.

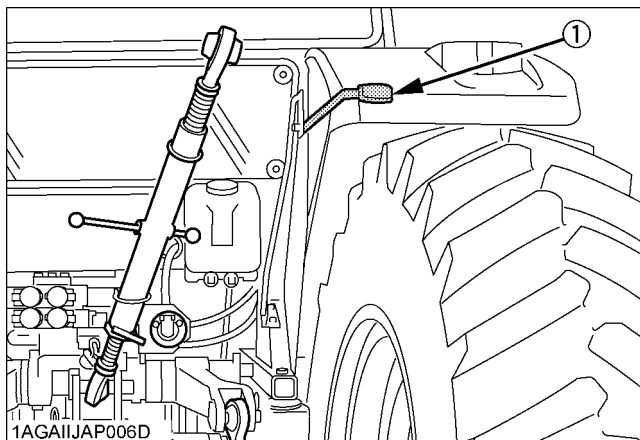
Remote Hitch UP / DOWN Lever



WARNING

- Do not use the Remote hitch up / down lever when the implement is attached on the 3-point hitch.

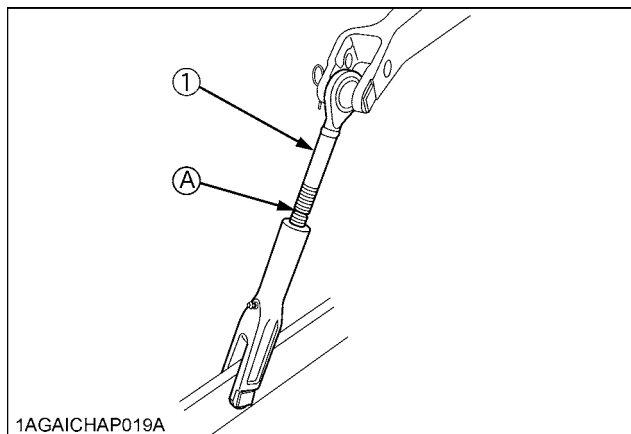
This lever is used to raise and lower the 3-point hitch for aligning the arm with the implement only.



(1) Remote hitch up / down lever

Lifting Rod (Left)

By turning the rod itself, the lifting rod varies its length. When extending the rod, do not exceed the groove on the rod thread.



(1) Lifting rod

(A) "GROOVE"

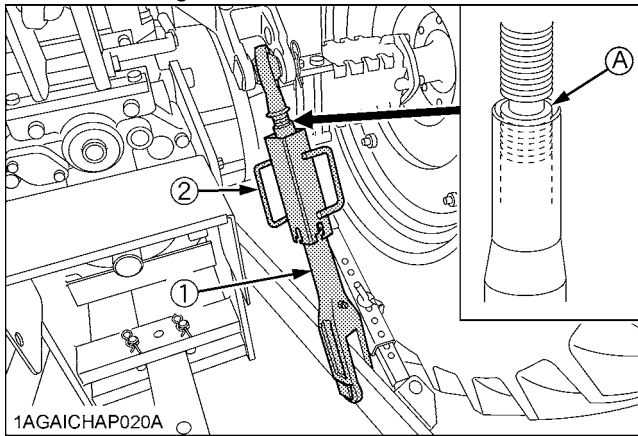
■ Lifting Rod (Right)

WARNING

To avoid personal injury or death:

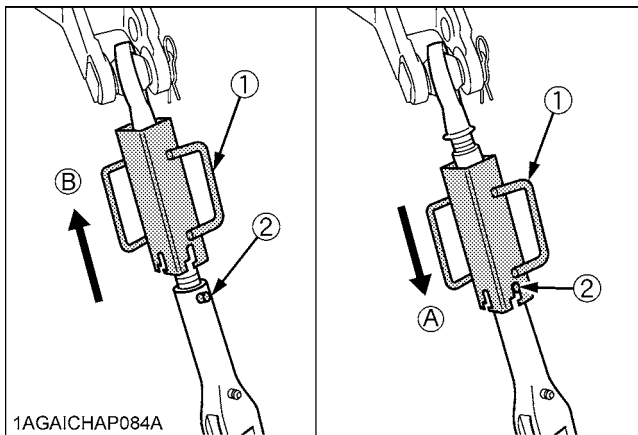
- Do not extend lifting rod beyond the point where threads are exposed.

1. To adjust the length of the lifting rod, lift the adjusting handle and turn to desired length.
2. After adjusting, lower the lifting rod adjusting handle to the lock position.
3. When extending the rod using adjusting handle, do not exceed the groove on the rod thread.



(1) Lifting rod
(2) Adjusting handle

(A) "GROOVE"



(1) Adjusting handle
(2) Lock pin

(A) "LOCK POSITION"
(B) "UNLOCK POSITION"

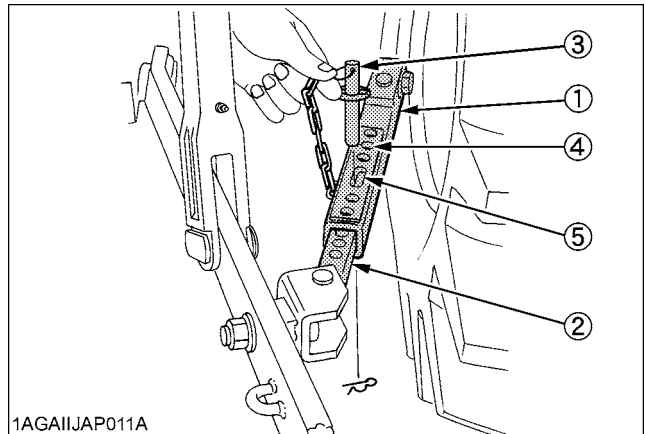
■ Top Link

1. Adjust the angle of the implement to the desired position by shortening or lengthening the top link.
2. The proper length of the top link varies according to the type of implement being used.

■ Telescopic Stabilizers

Adjust the telescopic stabilizers to control horizontal sway of the implement. Select the proper set of holes by referring to the "Hydraulic Control Unit Use Reference Chart" in "REMOTE HYDRAULIC CONTROL SYSTEM" in "HYDRAULIC UNIT" section.

After aligning satisfactorily, insert the set-pin through any one of the 5 holes on the outer tube that align with one of the holes on the inner bar, both stabilizers will be locked. If the set-pin is inserted through the slot to engage one of the holes on the inner bar, a limited degree of sway will be permitted.



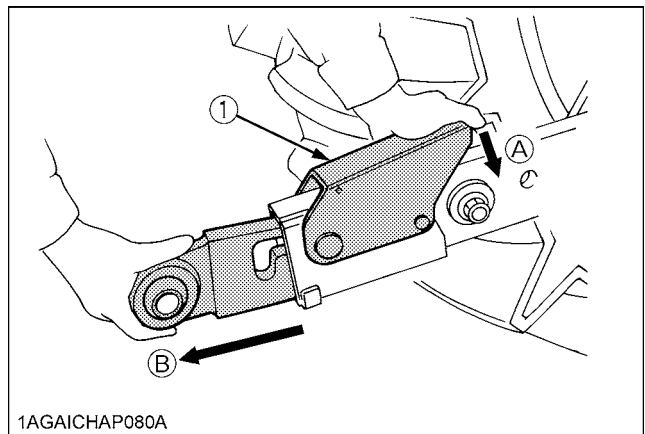
(1) Outer tube
(2) Inner bar
(3) Set-pin

(4) Hole
(5) Slot

■ Telescopic Lower Links

To attach an implement, follow the instructions below:

1. Push the levers, pull out the lower link ends, and attach to the implement.
2. Back up the tractor slightly to make sure the lower links are pushed in securely.



(1) Lever

(A) "PUSH"
(B) "PULL OUT"

DRAWBAR



WARNING

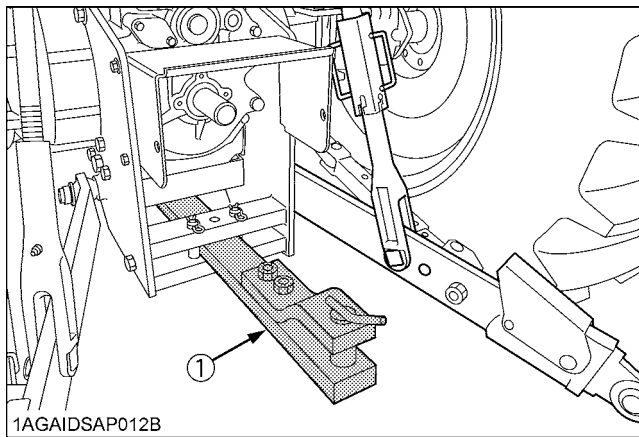
To avoid personal injury or death:

- Never pull from the top link, the rear axle or any point above the drawbar. Doing so could cause the tractor to tip over rearward causing personal injury or death.

■ Adjusting Drawbar Length

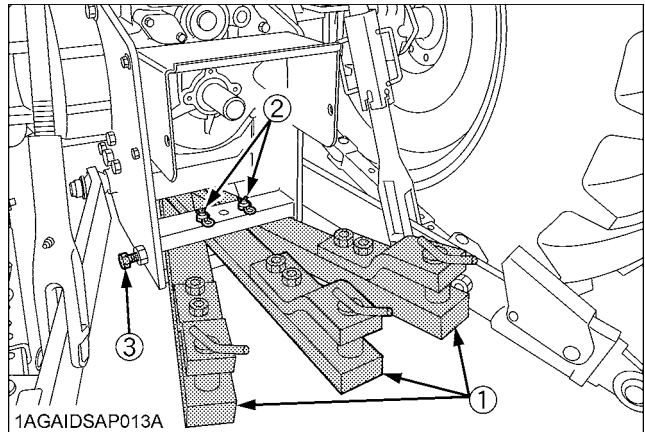
When towing an implement, it is recommended that the (A) hole in drawbar be utilized.

The drawbar load is specified in the "IMPLEMENT LIMITATIONS" section.

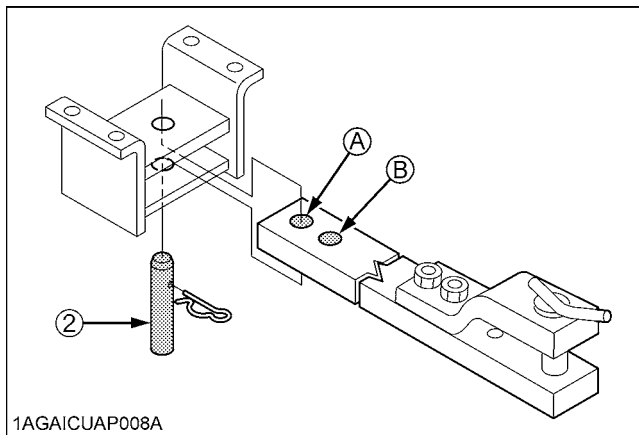


■ Swing Drawbar

The drawbar can be used in 3 different ways as illustrated below. Assemble it correctly with drawbar pins.



- (1) Drawbar
- (2) Drawbar pin
- (3) Looseness preventing bolt



- (1) Drawbar
- (2) Drawbar pin

Holes: (A), (B)

HYDRAULIC UNIT

The standard tractor has 5 hydraulic control systems as shown below. Therefore, use the most appropriate system for the implement you are using.

◆ 3-Point Hitch Control System

1. Position Control
2. Draft Control
3. Mixed Control
4. Float Control

◆ Remote Hydraulic Control System

5. Combined Flow Control

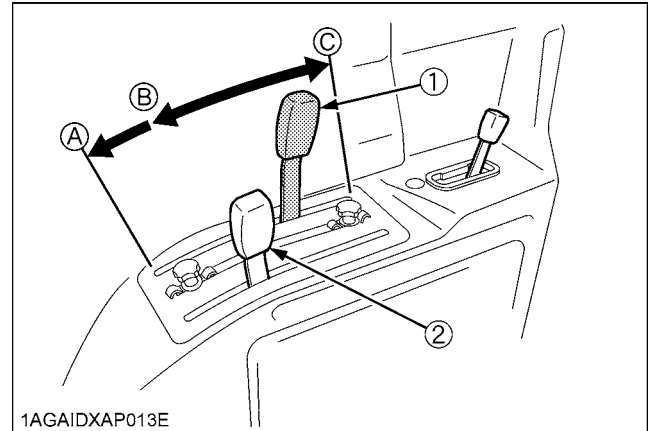
IMPORTANT :

- Do not operate until the engine is warmed up. If operation is attempted when the engine is still cold, the hydraulic system may be damaged.
- If noises are heard when implement is lifting after the hydraulic control lever has been activated, the hydraulic mechanism is not adjusted properly. Unless corrected, the unit will be damaged. Contact your KUBOTA Dealer for adjustment.

3-POINT HITCH CONTROL SYSTEM

■ Position Control

This will control the working depth of 3-point hitch mounted implement regardless of the amount of pull required.

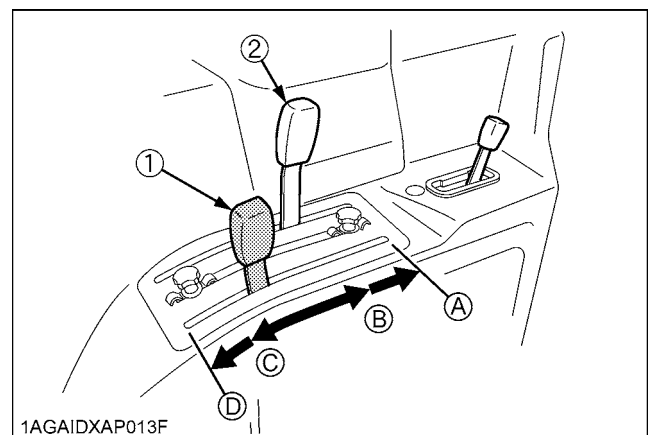


- (1) Position control lever
(2) Draft control lever

- (A) "FLOAT"
(B) "DOWN"
(C) "UP"

■ Draft Control

This will control the pull of the 3-point implement. As the load on the 3-point hitch changes due to various soil conditions, the draft control system automatically responds to these changes by either raising or lowering the implement slightly to maintain a constant pull. Place the position control lever in the lowest position and set the implement pull with the draft control lever.



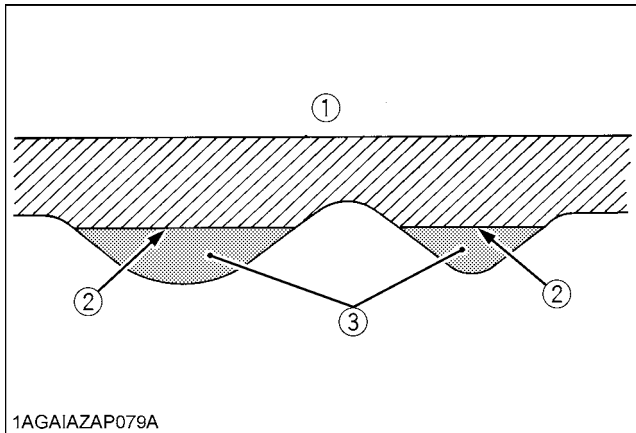
- (1) Draft control lever
(2) Position control lever

- (A) "UP"
(B) "SENSITIVE"
(C) "INSENSITIVE"
(D) "FLOAT"

■ Mixed Control

In draft control, when draft decreases, the implement automatically lowers to increase draft. However, the implement sometimes lowers too much. To limit the degree, the implement can be lowered, set the position control lever at the lowest working depth desired for the implement. Lower the draft control lever to the point where the implement is at the desired depth.

This stops the implement from going too deep and causing loss of traction and ground speed.



1AGAIAZAP079A

- (1) Ground surface
- (2) Implement penetration limit
- (3) Light soil

■ Float Control

Place both the draft control lever and the position control lever in the float position to make the lower links move freely along with the ground conditions.

■ 3-point Hitch Lowering Speed

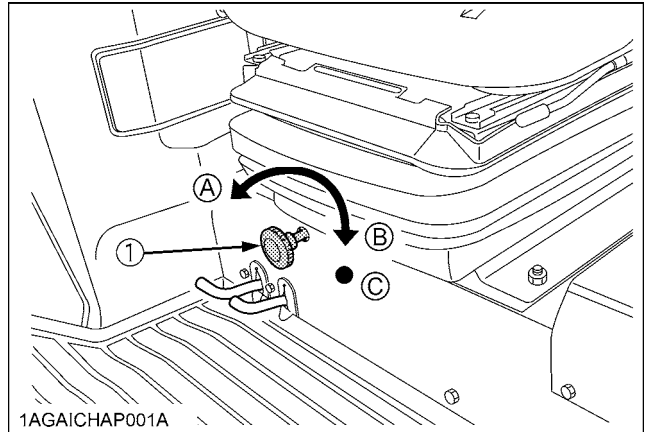


WARNING

To avoid personal injury or death:

- Fast lowering speed may cause damage or injury. Lowering speed of implement should be adjusted to 2 or more seconds.

The lowering speed of the 3-point hitch can be controlled by adjusting the 3-point hitch lowering speed knob.



(1) 3-point hitch lowering speed knob

- (A) "FAST"
- (B) "SLOW"
- (C) "LOCK"

REMOTE HYDRAULIC CONTROL SYSTEM

The hydraulic auxiliary control valves can be installed up to triple segments irrespective of installation of flow control valve.

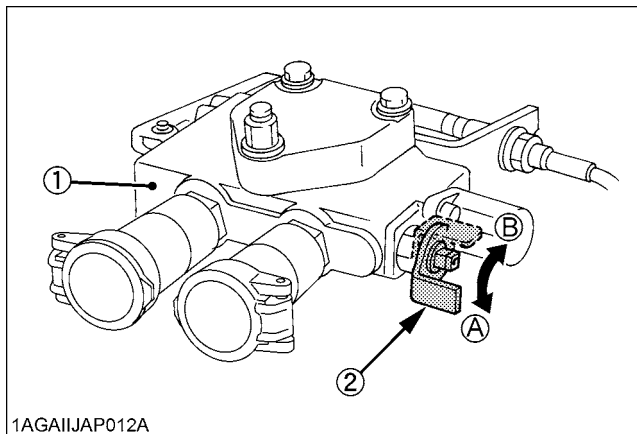
Remote Control Valve

There are 3 types of remote valves available for these models.

- Double acting valve with detents and self cancelling:
This valve may be placed in the detent mode. The lever will stay in this position until the pressure reaches a predetermined level or a cylinder reaches the end of its stroke. Then it will automatically return to neutral.
- Double acting valve with float position:
This valve may be placed in the float mode with the control lever all the way forward. The cylinder is free to extend or retract, letting an implement such as a loader bucket follow the ground.
- Single/double acting valve:
This valve can be utilized as single or double acting valve by adjusting the auxiliary control valve selector knob located on the valve.
 - 1) Turn the auxiliary control valve selector knob clockwise all the way to utilize as single acting valve.
 - 2) Turn the auxiliary control valve selector knob anticlockwise all the way to utilize as double acting valve.

NOTE :

- This float valve can be attached as the second or third segment.



(1) Single / double acting valve
(2) Auxiliary control valve selector knob

(A) Double acting
(B) Single acting

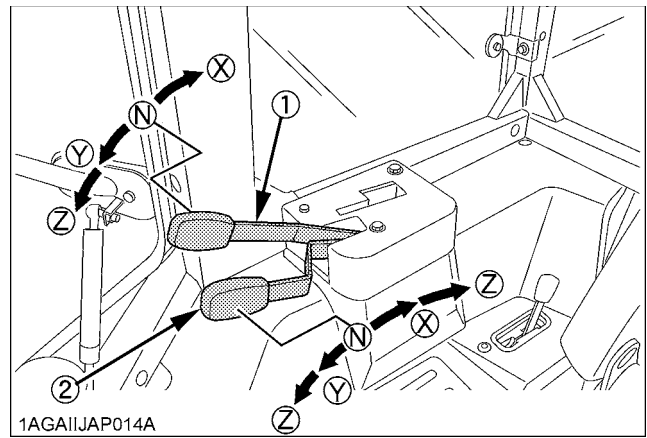
NOTE :

Standard mounted valve:

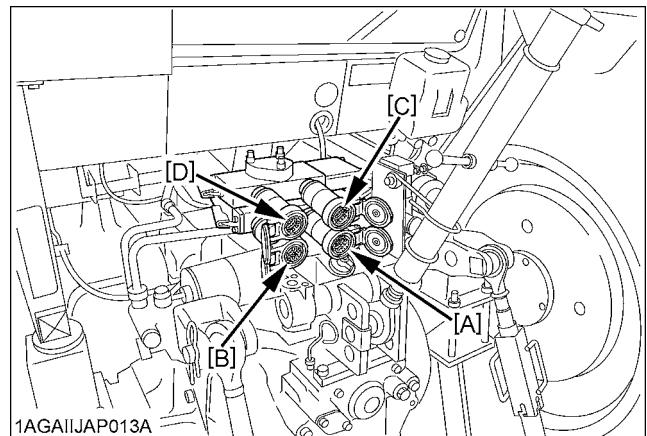
- Lever 1 Double acting valve with float position
- Lever 2 Double acting valve with detents and self cancelling

Remote Control Valve Lever

The remote control valve lever directs pressurized oil flow to the implement hydraulic system.



(1) Remote control valve lever 1
(2) Remote control valve lever 2



Pressure →
Returning ←

Lever (1)		Lever position			
		Z (detent)	X	Y	
Port	(A)	in	Float	in ←	out →
	(B)	out		out →	in ←

Lever (2)		Lever position			
		Z(detent)	X	Y	Z(detent)
Port	(C)	in ←		out →	
	(D)	out →		in ←	

IMPORTANT :

- Do not hold the lever in the "pull" or "push" position once the remote cylinder has reached the end of the stroke, as this will cause oil to flow through the relief valve. Forcing oil through the relief valve for extended periods will overheat the oil.
- When using the tractor hydraulic system to power front loader, do not operate boom and bucket cylinders simultaneously.

NOTE :

- Connect the pressure of load side of implement cylinders to ports [B] or [D] which have built in load check valve to prevent leak down.
- To use the single-acting cylinder with the float valve, connect this cylinder to the [B] or [D] port.
To extend a single-acting cylinder, pull the remote control valve lever rearward. To retract a cylinder, push it fully forward to the "FLOAT" position. Do not hold it in the down position, the transmission fluid may be overheat.

Remote Control Valve Coupler Connecting and Disconnecting

**WARNING**

To avoid personal injury or death:

- Stop the engine and relieve pressure before connecting or disconnecting lines.
- Do not use your hand to check for leaks.

◆ Connecting

1. Clean both couplers.
2. Remove dust plugs.
3. Insert the implement coupler to the tractor hydraulic coupler.
4. Pull the implement coupler slightly to make sure couplers are firmly connected.

◆ Disconnecting

1. Lower the implement first to the ground to release hydraulic pressure in the hoses.
2. Clean the couplers.
3. Relieve pressure by moving hydraulic control levers with engine shut off. Pull the hose straight from the hydraulic coupler to release it.
4. Clean oil and dust from the coupler, then replace the dust plugs.

NOTE :

- Your local KUBOTA Dealer can supply parts to adapt couplers to hydraulic hoses.

Flow Control Valve (option)

The optional flow control valve may be added for the following purposes.

1. To operate within limits, the remote control valves (2) or (3) above the flow control valve (4) and the 3-point hitch at the same time without one affecting the other.
2. To operate within limits, the remote control valves (2) or (3) above the flow control valve (4) and the other remote control valve (1) at the same time without one affecting the other. Activating the remote control valve (1) will interrupt the operation of the 3-point hitch.
3. To maintain within limits, the constant speed of an attachment (hydraulic motor RPM, for example) when connected to the remote control valves (2) or (3) above the flow control valve (4).

NOTE :

- At slower engine speeds the total hydraulic flow rate may be inadequate for simultaneous operation of the remote control valves (2) or (3) and the 3-point hitch or the remote control valve (1), or operation of an attachment connected to the remote control valves (1)(2)(3). Under these conditions, the engine speed must be increased to provide additional hydraulic flow.
- The remote control valves (2) and (3) above the flow control valve (4) can not be operated at the same time.

■ Adjusting the flow rate

WARNING

To avoid the possibility of personal injury or death be aware of the following when making adjustments:

- The 3-point hitch operation is influenced by the combination of the adjustment of the flow control valve and the engine speed.
- The 3-point hitch may rise slowly or not at all at low engine rpm.
- The 3-point hitch may rise suddenly if engine rpm is increased, or, flow control adjustment is changed.

Refer to the illustration below.

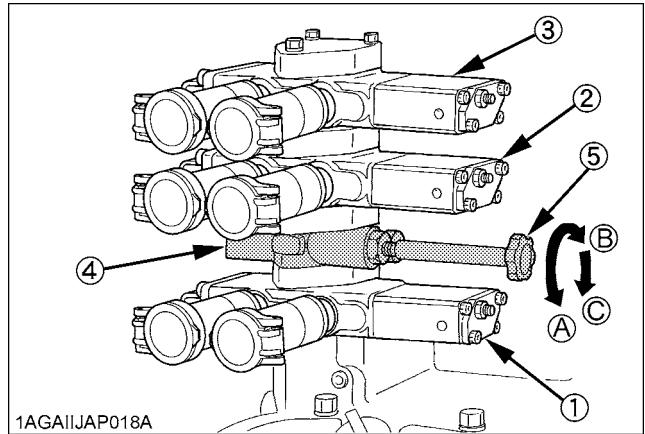
1. The flow rate for the remote control valves (2) or (3), located on above the flow control valve (4), can be adjusted.
2. Turn the flow control knob (5) counterclockwise (A), and the flow rate for the remote control valves (2) or (3) increases. A clockwise turn (B) of the knob causes the flow to decrease. If the knob is turned all the way (C), there will be no flow.
3. To adjust the flow rate, set the engine speed to the operating RPM, turn the flow control knob once all the way clockwise (C), and then turn it gradually counterclockwise until a required flow rate is reached.

NOTE :

- Full adjustment of the valve will occur in approximately 1 1/2 revolutions of the flow control knob. Turning the flow control knob beyond this point will have no affect on the flow rate.

IMPORTANT :

- When there is no need to adjust the flow rate, turn the flow control knob all the way counterclockwise and keep it in this position.



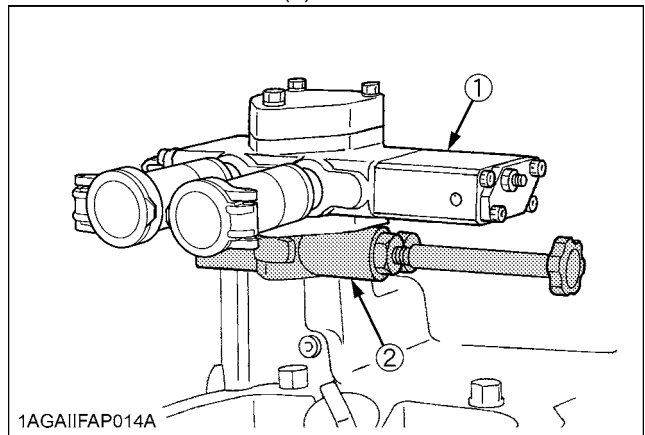
- | | |
|------------------------------|----------------|
| (1) Remote control valve (1) | (A) "INCREASE" |
| (2) Remote control valve (2) | (B) "DECREASE" |
| (3) Remote control valve (3) | (C) "STOP" |
| (4) Flow control valve | |
| (5) Flow control knob | |

■ Positions and advantages of the flow control valve

Refer to illustration below.

◆ Position 1

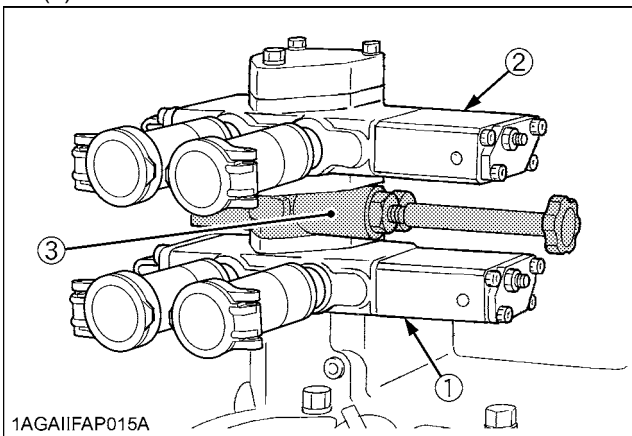
1. The attachment control speed (hydraulic motor RPM, for example) of the remote control valve (1) can be maintained at a constant level within limits.
2. The remote control valve (1) and the 3-point hitch can be operated at the same time. The 3-point lift speed will be influenced by the level of flow required at remote control valve (1).



- | |
|------------------------------|
| (1) Remote control valve (1) |
| (2) Flow control valve |

◆ **Position 2**

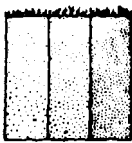
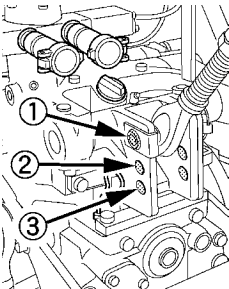
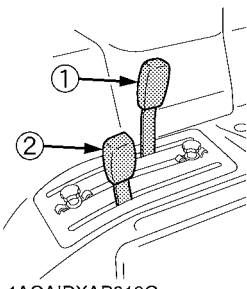
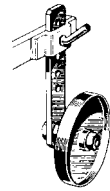
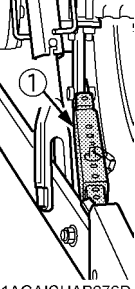
1. The attachment control speed (hydraulic motor RPM, for example) of the remote control valve (2) can be maintained at a constant level.
2. The remote control valve (2) and the 3-point hitch can be operated at the same time with the speed of the 3-point being influenced by the adjustment range of the flow control valve.
3. Remote control valves (1) and (2) can be operated at the same time with operation of the 3-point hitch being interrupted by activation of valve (1).
4. The operation of valve (1) is influenced by the flow adjustment to valve (2).
5. The 3-point hitch lift speed and the flow available for valve (1) are influenced by the flow adjustment of valve (2).



- (1) Remote control valve (1)
- (2) Remote control valve (2)
- (3) Flow control valve

Hydraulic Control Unit Use Reference Chart

In order to handle the hydraulics properly, the operator must be familiar with the following. Though this information may not be applicable to all types of implements and soil conditions, it is useful for general conditions.

Implement	 1AGAI AZAP122A Soil condition	 1AGAICHAP024B Top link mounting holes	 1AGAI DXAP013G (1) Position control lever (2) Draft control lever	 1AGAI AZAP070A Gauge wheel	 1AGAICHAP076D (1) Telescopic stabilizers	Remarks
Moldboard plow	Light soil Medium soil Heavy soil	3 2 or 3 2	Draft and Mixed control	YES/NO	Loose	Insert the set-pin through the slot on the outer tube that align with one of the holes on the inner bar. For implements with gauge wheels, lower the position control lever all way.
Disc plow	---	2 or 3	(Place the draft control lever to the suitable position and set the implement pull with the position control lever.)	YES/NO	Loose	
Harrower (spike, springtooth, disc type)	---	2				
Sub-soiler.....	---	2				
Weeder, ridger.....	---	1				Position control (Hold the draft control lever at the front most position during operation.)
Earthmover, digger, scraper, manure fork, rear carrier.....	---	1	YES/NO			
Mower (mid- and rear-mount type) Hayrake, tedder.....	---	1	NO			

TIRES, WHEELS AND BALLAST

TIRES



WARNING

To avoid personal injury or death:

- Do not attempt to mount a tire on a rim. This should be done by a qualified person with the proper equipment.
- Always maintain the correct tire pressure. Do not inflate tires above the recommended pressure shown in the operator's manual.

IMPORTANT :

- Do not use tires other than those approved by KUBOTA.

NOTE :

- When optional different-diameter tires are fitted on the machine, the travel speed display mode must be changed. Otherwise the travel speed will not get correctly displayed. Such mode switching is also needed when the original tires are back on the machine.
(See "PTO RPM / TRAVEL SPEED MONITOR" in "OPERATING THE TRACTOR" section.)

■ Inflation Pressure

Though the tire pressure is factory-set to the prescribed level, it naturally drops slowly in the course of time. Thus, check it everyday and inflate as necessary.

	Tire sizes	Inflation Pressure
Front	12.4R24	160 kPa (1.6 kgf/cm ² , 24 psi.)
	13.6R24	160 kPa (1.6 kgf/cm ² , 24 psi.)
	340 / 85R24	160 kPa (1.6 kgf/cm ² , 24 psi.)
Rear	16.9R34	120 kPa (1.2 kgf/cm ² , 18 psi.)
	18.4R34	120 kPa (1.2 kgf/cm ² , 18 psi.)
	480 / 70R34	120 kPa (1.2 kgf/cm ² , 18 psi.)

NOTE :

- Maintain the maximum pressure in front tires, if using a front loader or when equipped with a full load of front weights.

■ Dual Tires

Dual tires are approved for turf tire applications.

WHEEL ADJUSTMENT



WARNING

To avoid personal injury or death:

- When working on slopes or when working with trailer, set the wheel tread as wide as practical for maximum stability.
- Support tractor securely on stands before removing a wheel.
- Do not work under any hydraulically supported devices. They can settle, suddenly leak down, or be accidentally lowered. If necessary to work under tractor or any machine elements for servicing or adjustment, securely support them with stands or suitable blocking beforehand.
- Never operate tractor with a loose rim, wheel, or axle.

■ Front Wheels (with 4 wheel drive)

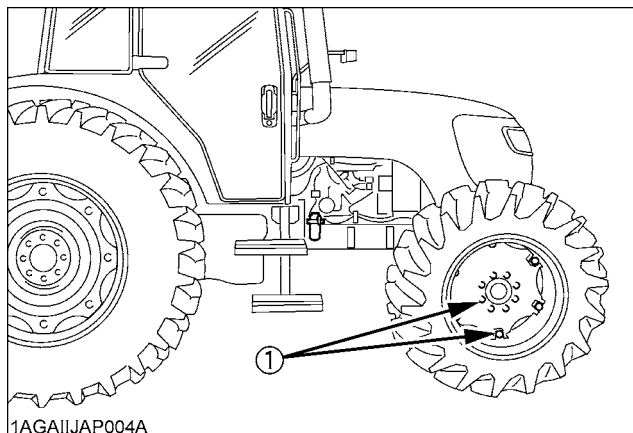
Front tread width can be adjusted as shown with the standard equipped tires.

To change the tread width

1. Remove the wheel rim and disk mounting bolts.
2. Change the position of the rim and disk (right and left) to the desired position, and tighten the bolts.
3. Adjust the toe-in [2 to 8mm]
See "Adjusting Toe-in" in "EVERY 200 HOURS" in "PERIODIC SERVICE" section.

IMPORTANT :

- Always attach wheels as shown in the drawing.
- If not attached as illustrated, transmission parts may be damaged.
- When re-fitting or adjusting a wheel, tighten the bolts to the following torques then recheck after driving the tractor 200m (200 yards) and thereafter according to service interval. (See "MAINTENANCE" section.)

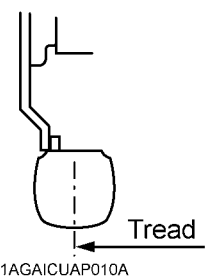
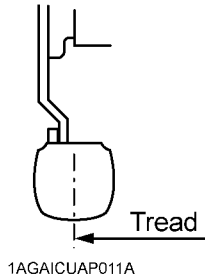
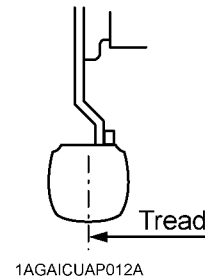
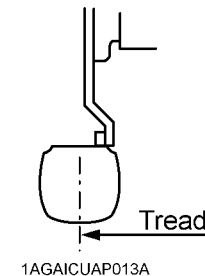


1AGAIJAP004A

(1) 260 to 304 N-m (26.5 to 31 kgf-m)

NOTE :

- Wheels with beveled or tapered holes: Use the tapered side of lug nut.

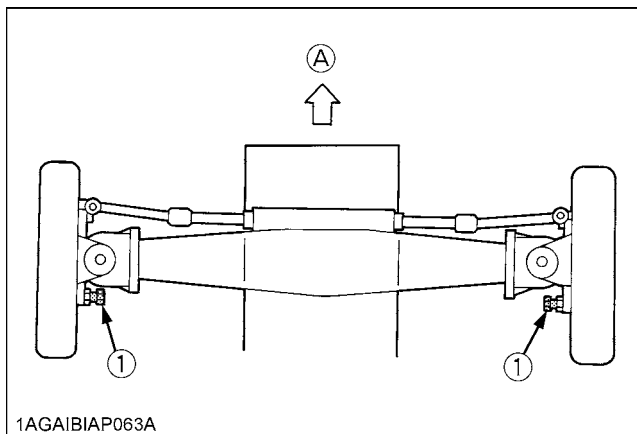
Tire sizes				
12.4R24 13.6R24 340 / 85R24	1390 mm	1490 mm	1590 mm	1690 mm

- Need to limit turning angle depended on the tire size. Refer to the chart provided for additional instructions.

■ Adjusting Front Wheel Turning Stopper Bolt

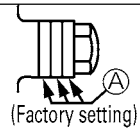
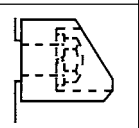
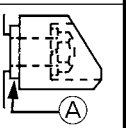
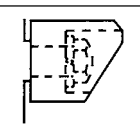
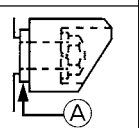
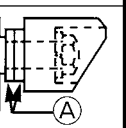
IMPORTANT :

- Always check if tires contact with tractor or loader frame assemblies.
- Adjust turning angle with provided stoppers if necessary.



(1) Stopper bolts

(A) "FRONT"

	Stopper bolts (ex. LH stopper bolt)		
Angle	50°	45°	42°
Stopper			
Angle	37°	33°	30°
Stopper			

1AGAICHAP124E

(A) 5 mm collar

■Rear Wheels

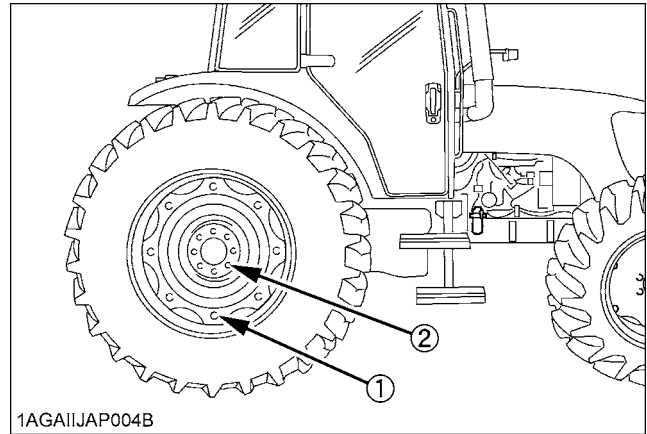
Rear tread width can be adjusted as shown with the standard equipped tires.

To change the tread width

1. Remove the wheel rim and / or disk mounting bolts.
2. Change the position of the rim and / or disk (right and left) to the desired position, and tighten the bolts.

IMPORTANT :

- Always attach tires as shown in the drawings.
- If not attached as illustrated, transmission parts may be damaged.
- When re-fitting or adjusting a wheel, tighten the bolts to the following torques then recheck after driving the tractor 200m (200yards) and thereafter according to service interval.
(See "MAINTENANCE" section.)



- (1) 260 to 304 N-m (26.5 to 31.0 kgf-m)
- (2) 343 to 401 N-m (35.0 to 41.0 kgf-m)

<p>1AGAIJAP022A</p>				
16.9R34 (cast) 18.4R34 (cast) 480 / 70R34 (cast)	1730 mm	1835 mm	1930 mm	2035 mm

BALLAST



WARNING

To avoid personal injury or death:

- Additional ballast will be needed for transporting heavy implements. When the implement is raised, drive slowly over rough ground, regardless of how much ballast is used.
- Do not fill the front wheels with liquid to maintain steering control.

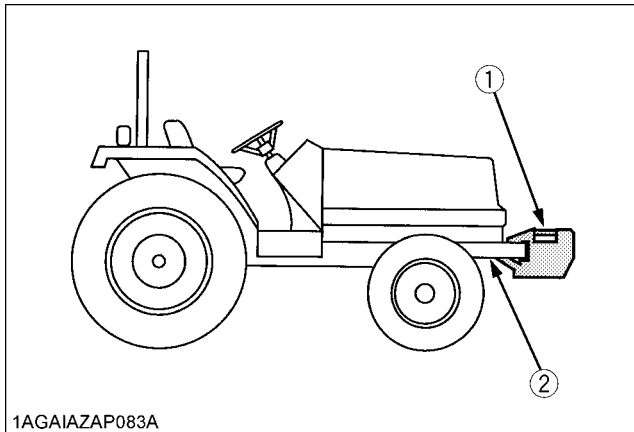
■ Front Ballast

Add weights if needed for stability and improve traction. Heavy pulling and heavy rear mounted implements tend to lift front wheels.

Add enough ballast to maintain steering control and prevent tip over. Remove weight when no longer needed.

◆ Front End Weights (option)

The front end weights can be attached to the bumper. See your implement operator's manual for required number of weights or consult your local KUBOTA Dealer to use.



1AGAIAZAP083A

- (1) Front end weights
(2) Bumper

IMPORTANT :

- Do not overload tires.
- Add no more weight than indicated in chart.

Maximum weight	45 kg x 12 pieces
----------------	-------------------

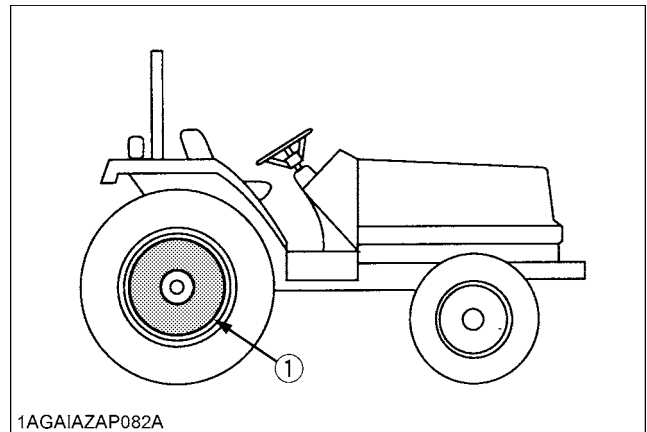
■ Rear Ballast

Add weight to rear wheels if needed to improve traction or for stability. The amount of rear ballast should be matched to job and the ballast should be removed when it is not needed.

The weight should be added to the tractor in the form of liquid ballast, rear wheel weights or a combination of both.

◆ Rear Wheel Weights (option)

The rear wheel weights can be attached to the rear wheel. See your implement operator's manual for required number of weights or consult your local KUBOTA Dealer to use.



1AGAIAZAP082A

- (1) Rear wheel weights

IMPORTANT :

- Do not overload tires.
- Add no more weight than indicated in chart.

Maximum weight per wheel	50 kg x 3 pieces
--------------------------	------------------

◆ Liquid Ballast in Rear Tires

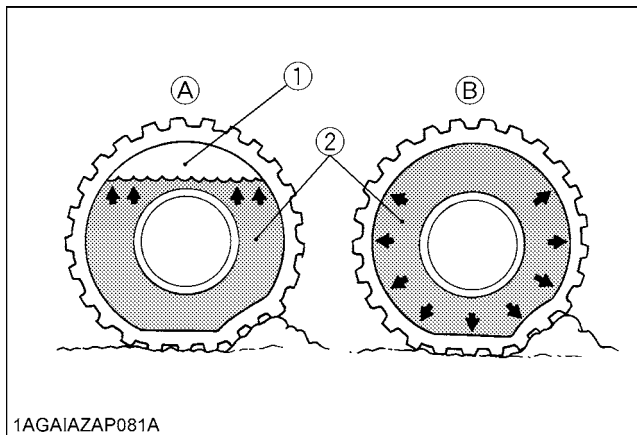
Water and calcium chloride solution provides safe economical ballast. Used properly, it will not damage tires, tubes or rims. The addition of calcium chloride is recommended to prevent the water from freezing. Use of this method of weighting the wheels has the full approval of the tire companies. See your tire dealer for this service.

Liquid weight per tire (75 Percent filled)

Tire sizes	16.9R34	18.4R34 480/70R34
Slush free at -10 °C Solid at -30 °C [Approx. 1 kg CaCl ₂ per 4 L of water]	342 kg	378 kg
Slush free at -24 °C Solid at -47 °C [Approx. 1.5 kg CaCl ₂ per 4 L of water]	376 kg	457 kg
Slush free at -47 °C Solid at -52 °C [Approx. 2.25 kg CaCl ₂ per 4 L of water]	399 kg	491 kg

IMPORTANT :

- Do not fill tires with water or solution more than 75% of full capacity (to the valve stem level).



- (1) Air (A) Correct-75% Air compresses like a cushion
 (2) Water (B) Incorrect-100% Full Water can not be compressed

CAB OPERATION

DOOR AND WINDOW

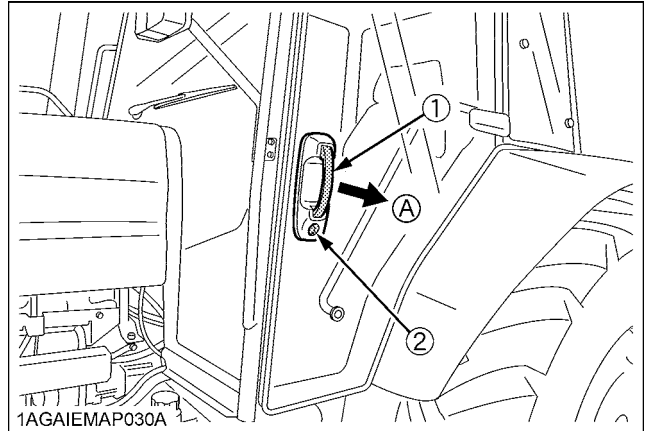
■ Locking and Unlocking the Door

From the outside Insert the key into the door lock. Turn the key clockwise to unlock the door. To lock the door, turn the key in the opposite direction. The key can be removed when it is in the vertical direction.

From the inside Push down the lock knob to lock the door. Pull up the lock knob to unlock the door.

■ Opening the Door

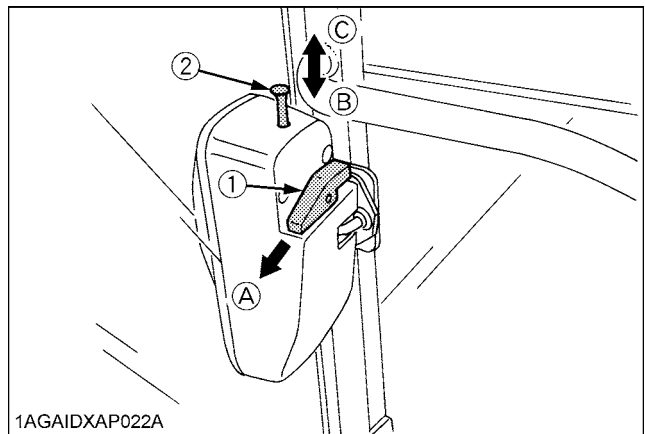
From the outside Unlock the door, and pull the outer door handle.



(1) Outer door handle
(2) Door lock

(A) "PULL"

From the inside Unlock the door and pull the inner door handle.

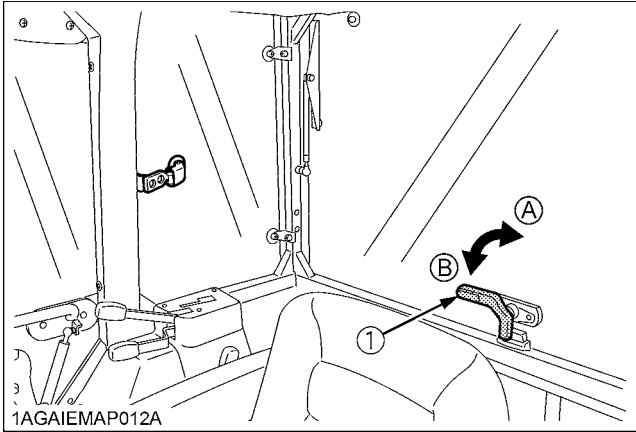


(1) Inner door handle
(2) Lock knob

(A) "PULL"
(B) "PUSH" (Lock)
(C) "PULL" (Unlock)

■Rear Window

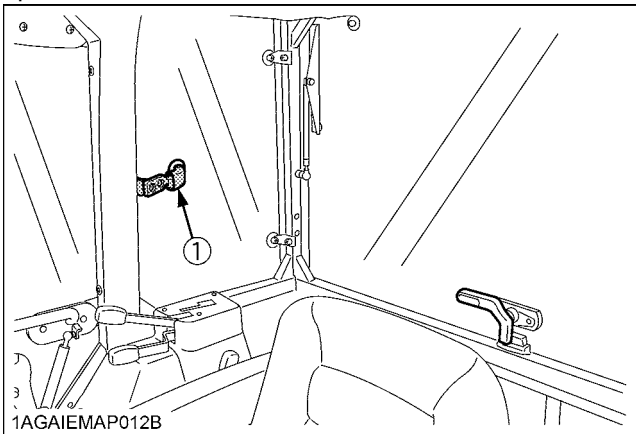
Turn the rear window handle clockwise to the vertical position and push the handle. The rear window is opened by the gas spring cylinder.



(1) Rear window handle (A) "OPEN" (B) "CLOSE"

■Side Window

Pull the side window handle and push the side window to open the window.



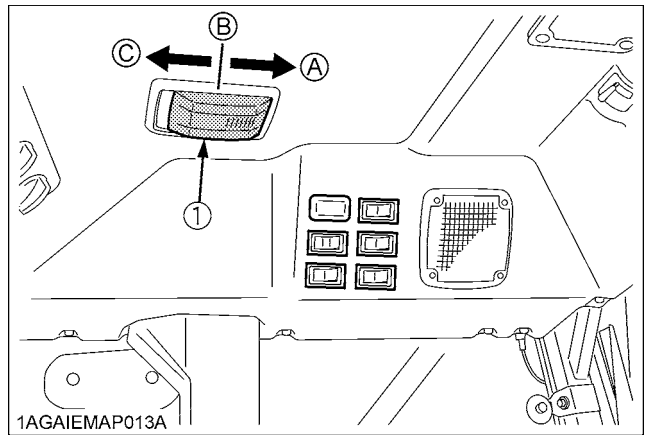
(1) Side window handle

DOME LIGHT

■Dome Light

Sliding the dome light lens will give the following light condition:

- OFF The light does not turn on when the door is opened.
- DOOR The light turns on when the door (LH) is opened. It turns off when the door (LH) is closed.
- ON The light remains on regardless of the door position.



(1) Dome light (A) "OFF" (B) "DOOR" (C) "ON"

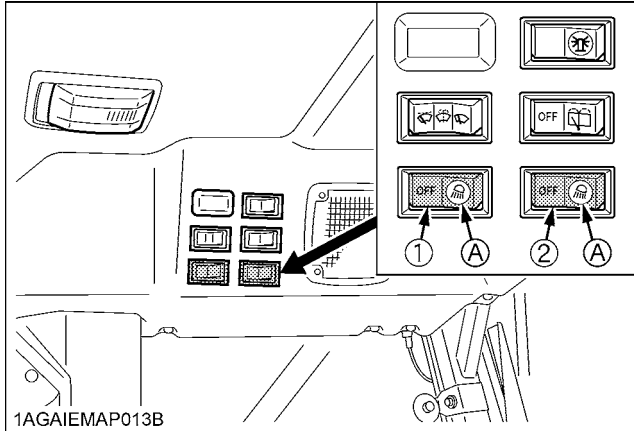
IMPORTANT :

- The battery will discharge if the dome light remains on. Be sure to check the dome light lens position and/or door closure.

WORK LIGHT

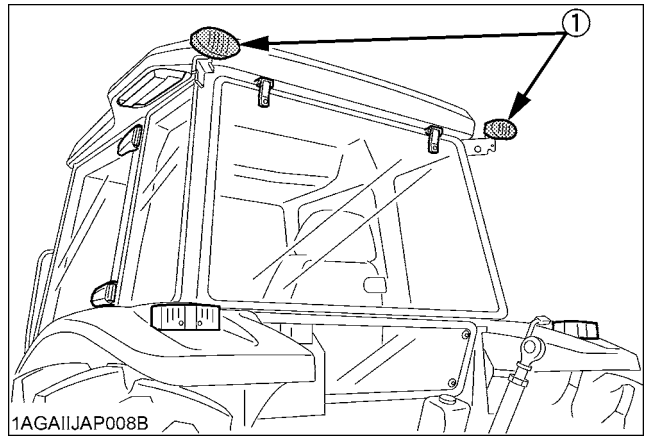
■ Work Light Switch

Turn on the key switch and press the right half of the work light switch. The work light and the switch's indicator light up. Press the left half of the work light switch to turn off the light and indicator.



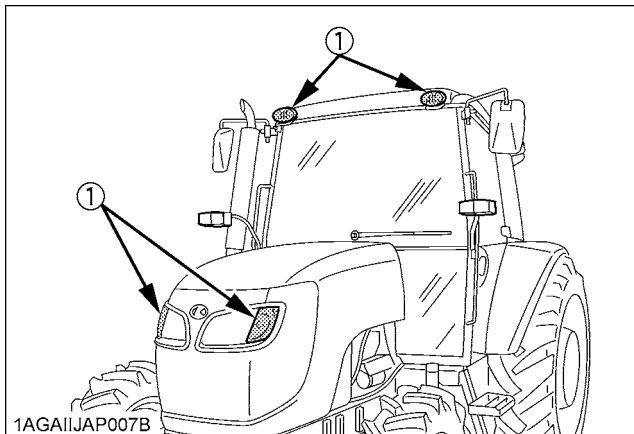
(1) Front work light switch (A) Indicator for work lights
 (2) Rear work light switch

■ Rear Work Light



(1) Rear work light

■ Front Work Light



(1) Front work light

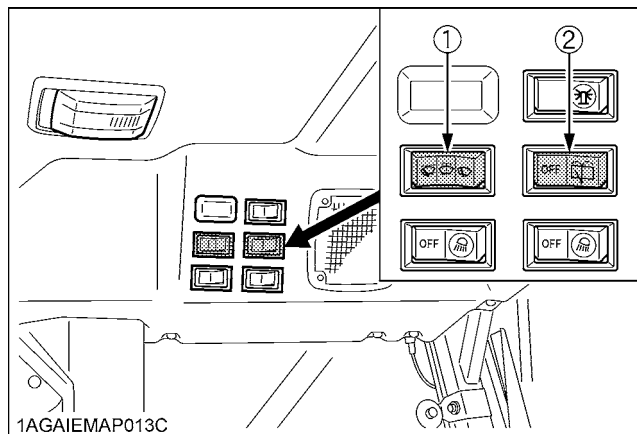
WIPER

■ Front Wiper / Washer Switch

1. Turn on the key switch and press the right half of the wiper switch to the first step, the wiper is activated.
When the switch is pressed further to the second step, washer liquid jets out.
The jetting continues while the switch is pressed and the wiper is activated continuously.
2. Press the left half to the first step, the wiper is activated at regular intervals.
When the switch is pressed further to the second step, washer liquid jets out and the wiper is activated at regular intervals.

■ Rear Wiper / Washer Switch (if equipped)

1. Turn on the key switch and press the right half of the wiper switch to the first step, and the wiper is activated.
When the switch is pressed further to the second step, washer liquid jets out.
The jetting continues while the switch is pressed and the wiper is activated continuously.
2. Press the left half of the wiper / washer switch, washer liquid only jets out.



(1) Front wiper / washer switch

(2) Rear wiper / washer switch

■ Using the Wipers in Cold Season

1. While not used in cold season, keep the wiper blades off the windshield to prevent them from being stuck with ice.
2. If the windshield is covered with snow, scrape it off the windshield before using the wipers.
3. If the wiper blades are stuck on the windshield with ice and fail to move, be sure to turn the main key switch to "OFF" and remove the ice off the blades. Then place the main key switch back to "ON".
4. When commercially available cold-season wiper blades are used, make sure their size is the same as or smaller than that of the standard ones.

IMPORTANT :

- In cold season, the wiper blades and the wiper motor might get overloaded causing damage. To avoid this, be sure to take the above precautions.

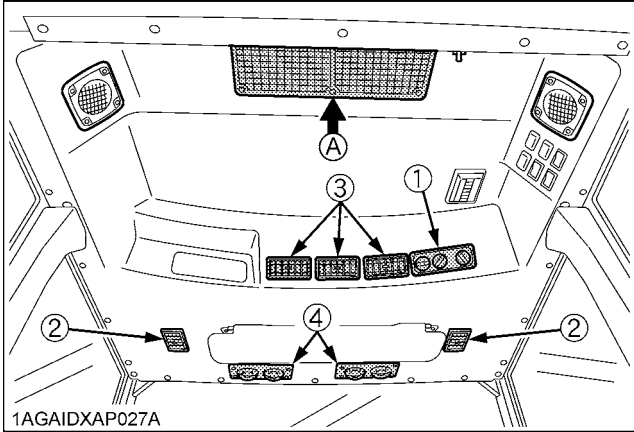
IMPORTANT :

- Do not activate the wipers when the windows are dry, they may be scratched.
Be sure to jet washer liquid first and then activate the wipers.

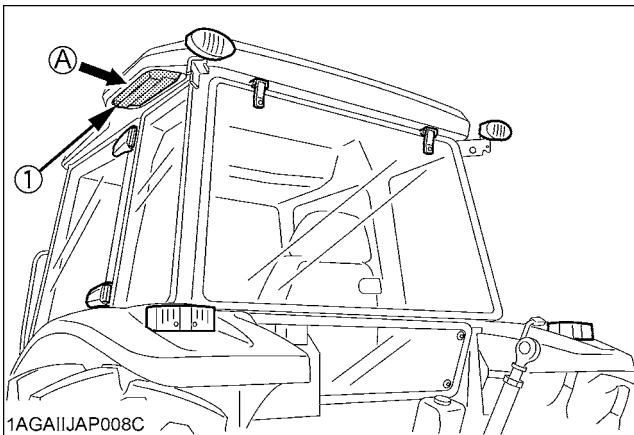
AIR CONDITIONER

■ Airflow

Air in the CAB and fresh air introduced into the CAB flow as shown below. Adjust the 9 air ports to obtain the desired condition.



1AGAIDXAP027A
 (1) Control panel (A) "INNER AIR RECIRCULATION"
 (2) Door air outlet
 (3) Face air outlet
 (4) Front air outlet



1AGAIJAP008C
 (1) Fresh air filter (A) "FRESH AIR INLET"

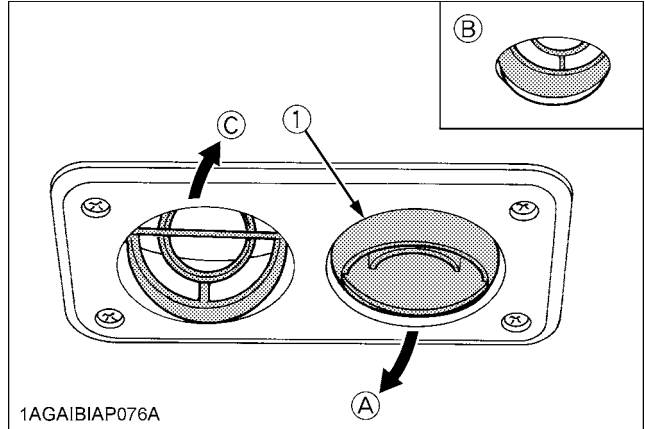
IMPORTANT :

- Do not pour water directly into the fresh air port while washing the vehicle.

■ Air Control Vent

◆ Front air outlet

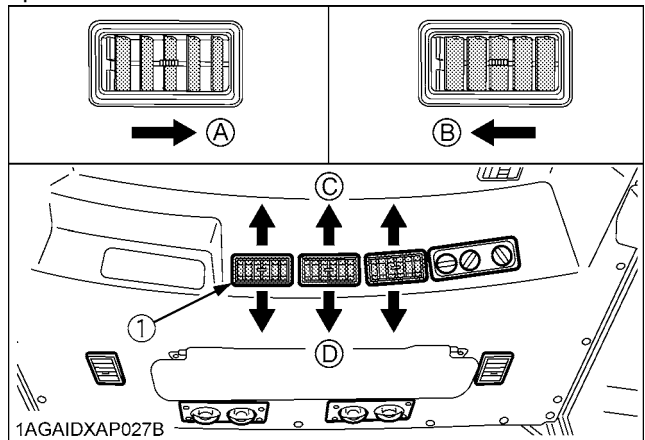
The front air outlets can be independently adjusted as required. To defrost the windshield, rotate the outlets toward the windshield.



1AGAIBIAP076A
 (1) Front air outlet (A) "WINDSHIELD"
 (B) "CLOSED"
 (C) "CHEST AREA"

◆ Face air outlet

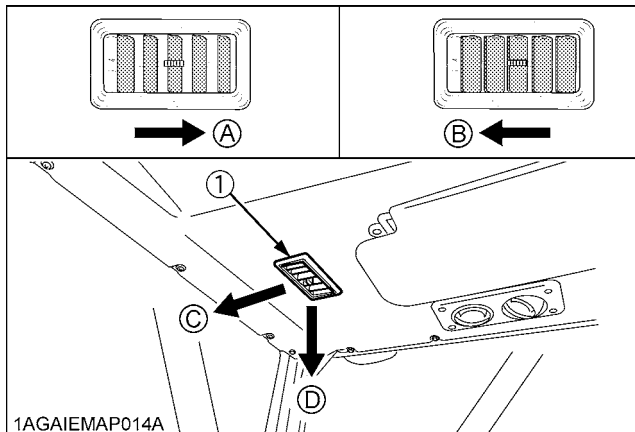
The face air outlets can be adjusted to direct air on to the operator or the rear of the CAB.



1AGAIDXAP027B
 (1) Face air outlet (A) "OPEN"
 (B) "SHUT"
 (C) "BACK AREA"
 (D) "FACE AREA"

◆ Door air outlet

The door air outlets can be adjusted to direct air on to the door window or the foot area.



(1) Door air outlet

- (A) "OPEN"
 (B) "SHUT"
 (C) "DOOR WINDOW"
 (D) "FOOT AREA"





CAUTION

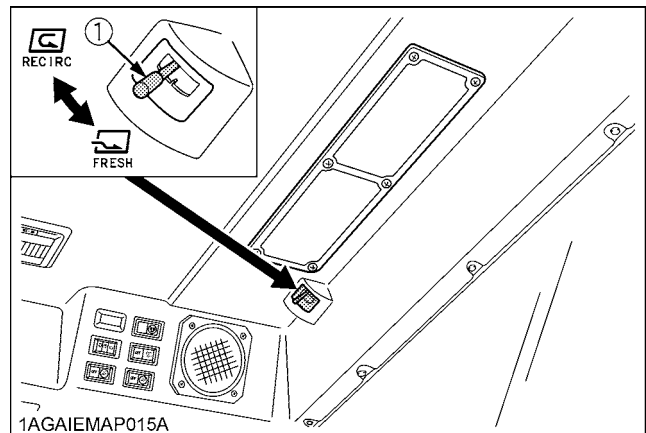
To avoid personal injury;

- Replace the water hoses every 4 years.
- Daily inspection
 Have the tractor repaired immediately if any of the following defects are discovered. (Such defects may cause burns or injury. They may also cause engine seizure or other serious failure.)
 - Scratches, cracks or swelling in water hoses.
 - Water leakage at water hose joints.
 - Missing or damaged water hose protective wrap or grommets.
 - Loose mounting bolts, damaged brackets.
- Do not touch the water hoses and the heater with your hand. You may get burned.
- If the window fails to defrost in extreme conditions or becomes cloudy when dehumidifying the CAB, wipe off moisture with a soft cloth.
- Do not block all the air outlets of the air conditioner. A problem could occur.

◆ Recirculation / fresh air selection lever

FRESH AIR: Set the lever to the  position, and fresh air will flow into the CAB. This is helpful when you work in dusty conditions or if the glass windows get foggy.

RECIRCULATION: Set the lever to the  position, and the in-CAB air will be recirculated. This is useful for cooling or heating the CAB quickly or keeping it extra cool or warm.



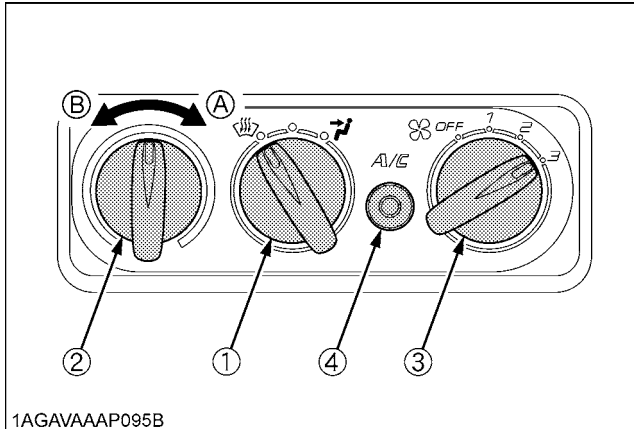
(1) Recirculation /
 fresh air selection lever

 "FRESH AIR"
 "RECIRCULATION"

NOTE :

- When heating, do not keep the lever at the "RECIRCULATION" position for a long time. The windshield easily gets foggy.
- While working in a dusty conditions, keep the lever at the "FRESH AIR" position. This increases the pressure in the CAB, which helps prevent dust from coming into the CAB.

Control Panel



1AGAVAAP095B

- (1) Mode switch
 - (2) Temperature control dial
 - (3) Blower switch
 - (4) Air conditioner switch with indicator light
- (A) "WARM"
(B) "COOL"

Mode switch

Set the mode switch to the desired position.

- Air is blown from only the face air outlets.
- Air is blown from the front, face and door air outlets.
- Air is blown from the front and door air outlets.

Temperature Control Dial

Set this dial at the desired position to obtain the optimum air temperature. Turn the dial in the "WARM" direction to obtain warmer air. Turn it in the "COOL" direction to obtain cooler air.

Blower Switch

Air volume can be changed in 3 steps. At the "3" position, the largest air volume is obtained.

Air Conditioner Switch

Push this switch to activate the air conditioner. An indicator light will light up when the switch is set to "ON". Push the switch again to turn the air conditioner off, in which case the indicator light will be off.

NOTE :

- With the blower switch at the "OFF" position, the indicator light will not light up even when the air conditioner switch is set to "ON".

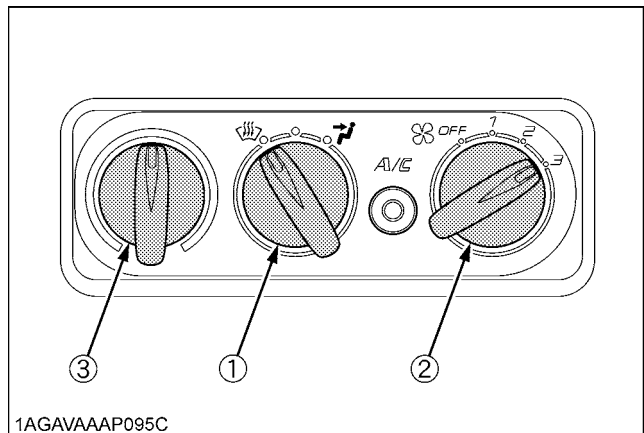
IMPORTANT :

- To operate the air conditioner after the tractor has not been used for one week or longer, run the engine at idling speed first and then set the air conditioner switch to "ON". Keep this for one minute or so. If the air conditioner switch is set to "ON" with the engine running at high rpm, the compressor may get in trouble.

Operation

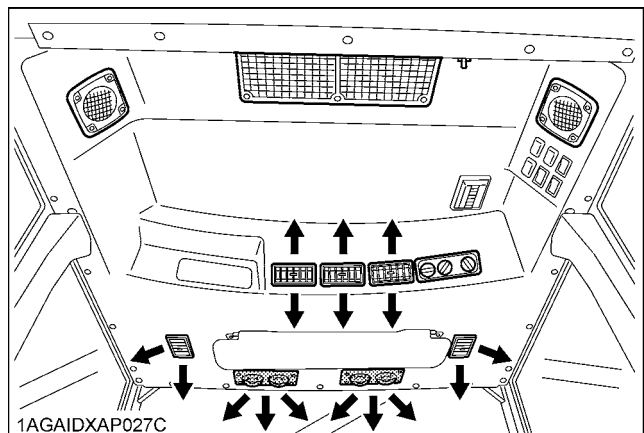
Heating

1. Set the mode switch to the , , or position.
2. Set the recirculation / fresh air selection lever to the "FRESH AIR" position. To raise the temperature in the CAB quickly, set this lever to the "RECIRCULATION" position.
3. Adjust the blower (1/2/3) switch and the temperature control dial to achieve a comfortable temperature level.




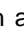
1AGAVAAP095C

- (1) Mode switch
- (2) Blower switch
- (3) Temperature control dial



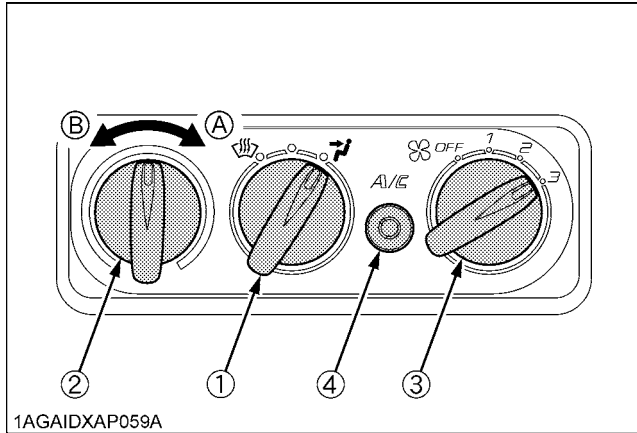
1AGAIDXAP027C

◆ **Cooling or dehumidifying-heating**

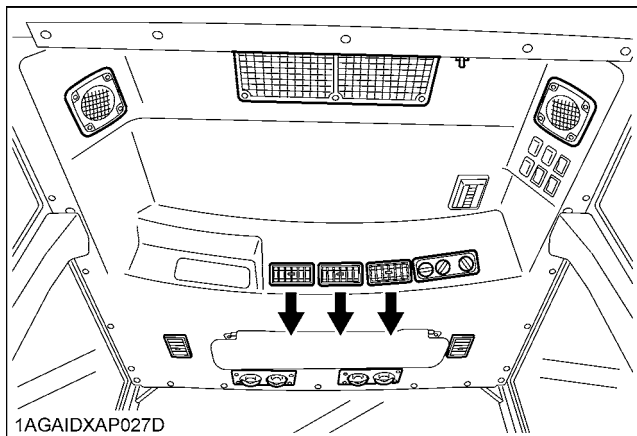
1. Set the mode switch to the  or  position.
2. Set the recirculation / fresh air selection lever to the "FRESH AIR" position. To fall the temperature in the CAB quickly, set this lever to the "RECIRCULATION" position.
3. Press and turn on the air-conditioner switch with indicator.
4. Turn on the blower (1/2/3) switch.
5. Adjust the temperature control dial to the "COOL" or an intermediate position to achieve a comfortable temperature level.

NOTE :

- In summer when the heater is not used, keep the temperature control dial at the max "COOL" (end of counterclockwise) position. Otherwise, hot air will raise the temperature in the CAB.




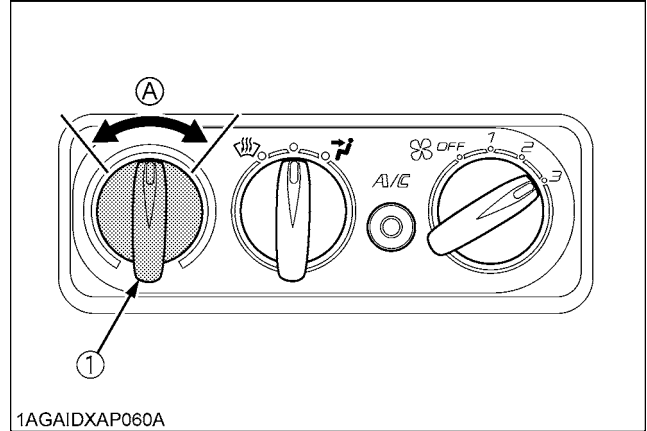
- 1AGAIDXAP059A
- (1) Mode switch
 - (2) Temperature control dial
 - (3) Blower switch
 - (4) Air conditioner switch with indicator light
 - (A) "WARM"
 - (B) "COOL"



1AGAIDXAP027D

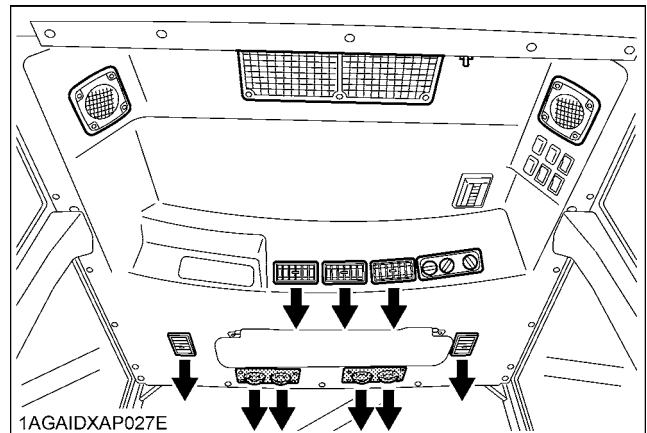
◆ **Foot warming and head cooling**

1. Set the mode switch to the  position.
2. In the cooling or dehumidifying-heating mode, set the temperature control dial at the center position area.
3. Open the front air outlet and the door air outlet direct it to your feet.
4. You can feel your head cool and your feet warm.



1AGAIDXAP060A


- (1) Temperature control dial (A) Center position area

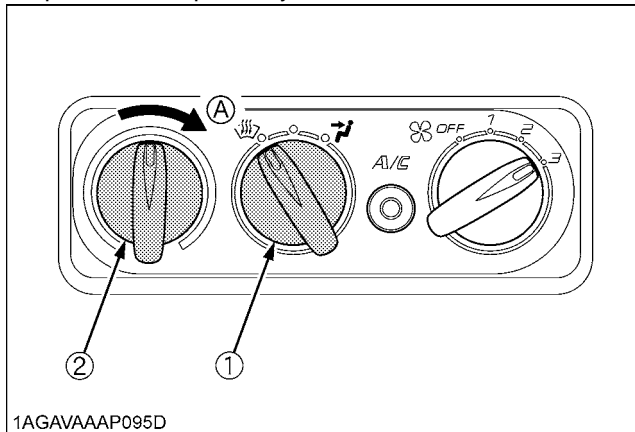


1AGAIDXAP027E

◆ **Defrosting or demisting**

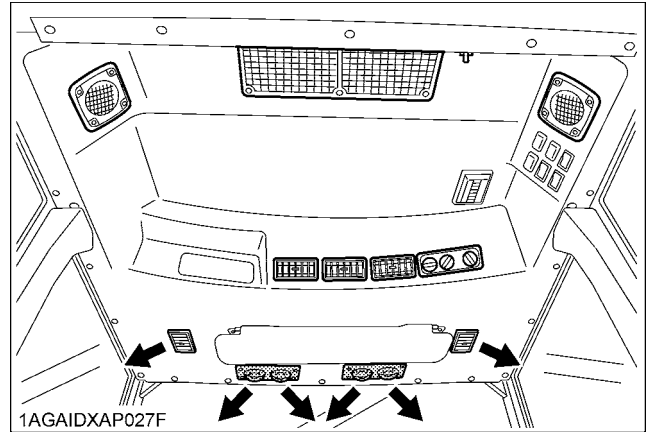
To defrost or demist the windshield, take the following steps.

1. Set the mode switch to the  position.
2. Open the front air outlet, door air outlet and direct it to the windshield.
3. Set the recirculation / fresh air selection lever to the "FRESH AIR" position.
4. Set the blower switch and the temperature control dial to the "3" and max "WARM" (end of clockwise) positions, respectively.




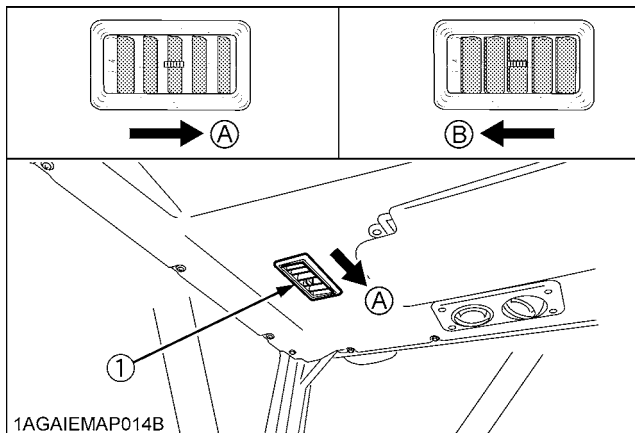
1AGAVAAP095D

(1) Mode switch (A) "WARM"
(2) Temperature control dial



NOTE :

- If you set the temperature control dial to "COOL" side position at  position, cool air will come out from the face air outlets.



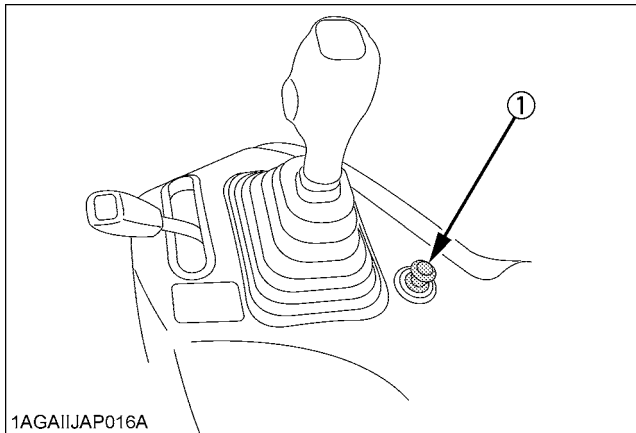
1AGAIEMAP014B

(1) Door air outlet (A) "OPEN"
(B) "SHUT"

CIGARETTE LIGHTER

Push the lighter knob down to activate, with the key switch in the "ON" or "ACC" positions.

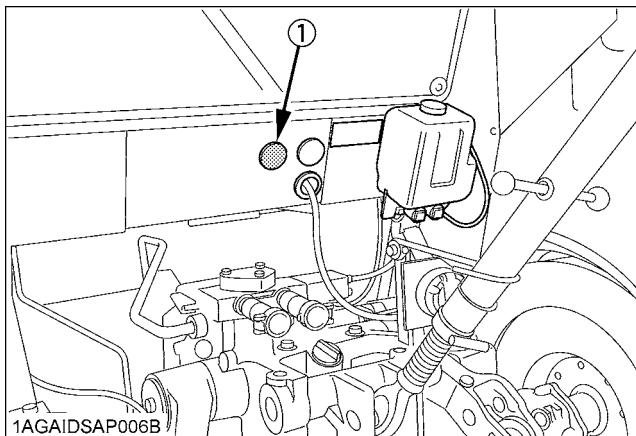
Lighter will move up when ready to use.



(1) Cigarette lighter

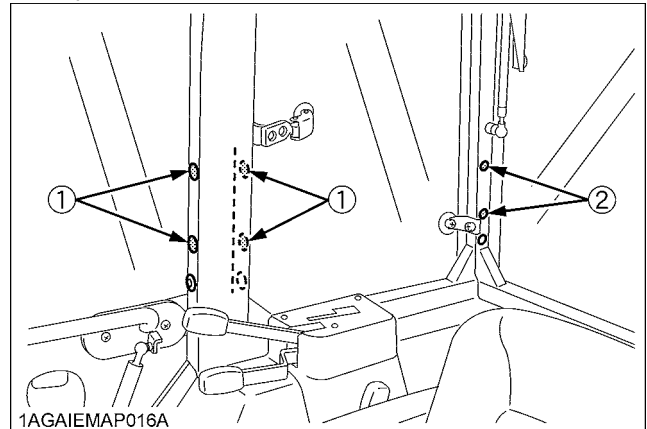
INSTALLING THE IMPLEMENT CONTROL BOX

1. Make an opening in each of the rubber caps. Introduce the implement control cable and hydraulic hose through these openings into the CAB.



(1) Rubber cap

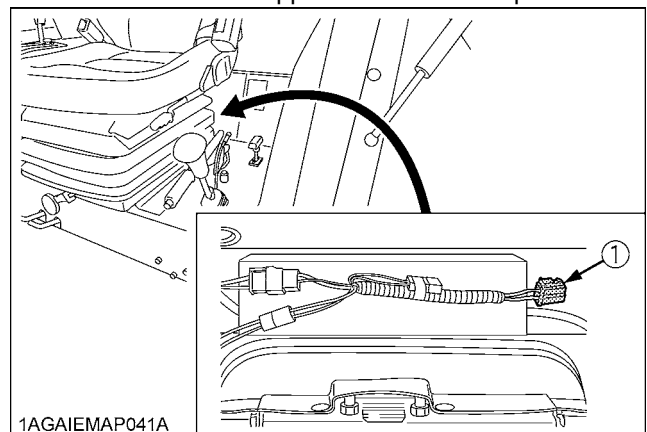
2. Make the holes in each of the pillar covers located on the marked portion. Install the implement control box in place.



- (1) 4 - M8 nuts
(2) 2 - M6 nuts

■ Electrical Outlet

An electrical outlet is supplied for use with implement.



- (1) Accessory electrical outlet (15A)

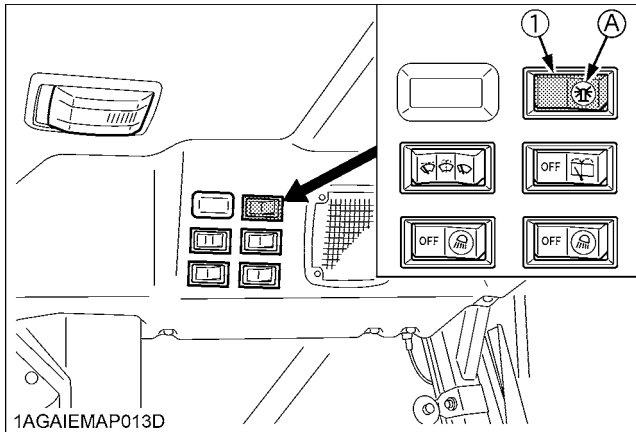
BEACON LIGHT

■ Beacon Light Switch

The beacon light switch with wire harness for beacon light connection is equipped.

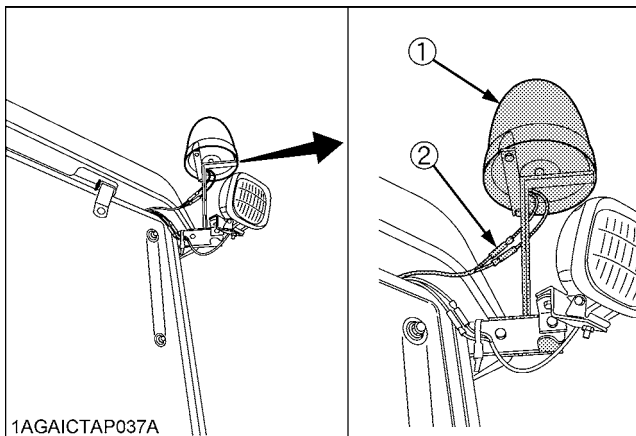
Turn on the key switch and press the right half of the beacon light switch. Then the beacon light and indicator of switch will be activated.

Press the left half of the switch to turn off the light and the indicator.



(1) Beacon light switch

(A) Indicator for beacon light



(1) Beacon light (if equipped)

(2) Wire harness for beacon light
(MAX. 25 amperes)

MAINTENANCE

SERVICE INTERVALS

No.	Items		Indication on hour meter													Interval	Ref. page		
			50	100	150	200	250	300	350	400	450	500	550	600	650				700
1	Engine start system	Check	○	○	○	○	○	○	○	○	○	○	○	○	○	○	every 50 Hr	77	
2	Wheel bolt torque	Check	○	○	○	○	○	○	○	○	○	○	○	○	○	○	every 50 Hr	78	
3	Greasing	---		○		○		○		○		○		○		every 100 Hr	79		
4	Battery condition	Check		○		○		○		○		○		○		every 100 Hr	80	*3	
5	Air cleaner element	Primary element	Clean	○		○		○		○		○		○		every 100 Hr	81	*1	
		Secondary element	Replace														every 1000h or 1 year	93	*4
			Replace															every 1000h or 1 year	93
6	Fan belt	Adjust		○		○		○		○		○		○		every 100 Hr	82		
7	Brake Pedal	Adjust		○		○		○		○		○		○		every 100 Hr	82		
8	Parking Brake Lever	Adjust		○		○		○		○		○		○		every 100 Hr	83		
9	Oil cooler line	Check				○				○				○		every 200 Hr	84		
		Replace															every 2 years	96	*2
10	Toe-in	Adjust				○				○				○		every 200 Hr	84		
11	Fuel tank water	Drain				○				○				○		every 200 Hr	85		
12	Water separator	Clean								○						every 400 Hr	88		
13	Engine oil	Change	◎											○		every 500 Hr	88		
14	Engine oil filter	Replace	◎											○		every 500 Hr	89		
15	Fuel filter	Replace												○		every 500 Hr	89		
16	Hydraulic oil filter	Replace												○		every 500 Hr	90		
17	Radiator hose and clamp	Check												○		every 500 Hr	90		
		Replace															every 4 years	96	

No.	Items	Indication on hour meter														Interval	Ref. page		
		50	100	150	200	250	300	350	400	450	500	550	600	650	700				
18	Fuel line	Check										○					every 500 Hr	91	
		Replace															every 4 years	96	*2
19	Intake air line	Check										○					every 500 Hr	91	
		Replace															every 4 years	96	*2
20	Power steering oil line	Check										○					every 500 Hr	91	
		Replace															every 4 years	96	*2
21	Assist cylinder hose	Check										○					every 500 Hr	91	
		Replace															every 4 years	96	*2
22	Brake oil	Change													○		every 600 Hr	92	*2
23	Front axle pivot	Adjust													○		every 600 Hr	92	
24	King-pin pivot	Adjust													○		every 600 Hr	92	
25	Transmission fluid	Change															every 1000 Hr	92	
26	Front differential case oil	Change															every 1000 Hr	93	
27	Front axle gear case oil	Change															every 1000 Hr	93	
28	Engine valve clearance	Adjust															every 1000 Hr	93	*2
29	Fuel injection nozzle (injection pressure)	Check															every 1500 Hr	93	*2
30	Cooling system	Flush															every 2000h or 2 years	94	*5
31	Coolant	Change															every 2000h or 2 years	94	*5
32	Turbo charger	Check															every 3000 Hr	95	*2
33	Intake air heater	Check															every 3000 Hr	95	*2
34	Brake hose	Replace															every 2 years	96	*2
35	Parking brake cable	Replace															every 3 years	96	*2
36	Master cylinder kit	Replace															every 4 years	96	*2
37	Equalizer kit	Replace															every 4 years	96	*2

No.	Items		Indication on hour meter													Interval	Ref. page			
			50	100	150	200	250	300	350	400	450	500	550	600	650				700	
38	Brake seal 1 and 2	Replace																every 4 years	96	*2
39	Fuel system	Bleed																Service as required	96	
40	Brake system	Bleed																Service as required	97	*2
41	Clutch housing water	Drain																Service as required	97	
42	Fuse	Replace																Service as required	97	
43	Light bulb	Replace																Service as required	99	

No.	Items		Indication on hour meter													Interval	Ref. page			
			50	100	150	200	250	300	350	400	450	500	550	600	650				700	
1	Inner air filter	Clean				○												every 200 Hr	85	
2	Fresh air filter	Clean				○												every 200 Hr	86	
3	Air conditioner condenser	Clean				○												every 200 Hr	87	
4	Air conditioner drive belt	Adjust				○												every 200 Hr	87	
5	Air conditioner pipes and hoses	Check										○						every 500 Hr	91	
		Replace																every 4 years	96	*2
6	CAB isolation cushion	Check																every 1 year	95	
7	Washer liquid	Add																Service as required	100	
8	Refrigerant (gas)	Check																Service as required	100	

IMPORTANT :

- The jobs indicated by ○ must be done after the first 50 hours of operation.
- *1 Air cleaner should be cleaned more often in dusty conditions than in normal conditions.
- *2 Consult your local KUBOTA Dealer for this service.
- *3 When the battery is used for less than 100 hours per year, check the battery condition by reading the indicator annually.
- *4 Every 1000 hours or every 1 year, whichever comes first.
- *5 Every 2000 hours or every 2 years, whichever comes first.

LUBRICANTS, FUEL AND COOLANT

No.	Locations	Capacities	Lubricants	
1	Fuel	175 L	No.2-D diesel fuel No.1-D diesel fuel if temperature is below -10 °C	
2	Coolant	9.6 L (Recovery tank: 1.1 L)	Fresh clean water with anti-freeze	
3	Washer liquid	1.3 L	Automobile washer liquid	
4	Engine crankcase (with filter)	10.7 L	• Engine oil: API Service Classification CD, CE or CF	
			Above 25 °C	SAE30, SAE10W-30 or 15W-40
			0 to 25 °C	SAE20, SAE10W-30 or 15W-40
			Below 0 °C	SAE10W, SAE10W-30 or 15W-40
5	Transmission case	60 L	• KUBOTA UDT or SUPER UDT fluid*	
6	Brake oil (reservoir and lines)	0.3 L	<ul style="list-style-type: none"> • KUBOTA UDT or SUPER UDT fluid* or Turbine oil 32 (See below) regular type, multipurpose straight mineral oil Mobile DTE Oil #32 TEXACO Regal Oil #32 CHEVRON -GST Oil #32 TERESSO OIL #32 Never use automotive brake oil. 	
7	Front differential case oil	7 L	• KUBOTA UDT or SUPER UDT fluid* or SAE 80 - SAE 90 gear oil	
8	Front axle gear case oil	3.5 L		
9	Greasing	No. of greasing points	Capacity	Type of grease
	Top link	2	Until grease overflows.	Multipurpose Grease NLGI-2 OR NLGI-1(GC-LB)
	Top link bracket	2		
	Lift rod	3		
	Front axle gear case support	2		
	Front axle support	2		
	Steering joint shaft	1		
	Assist cylinder (if equipped)	2		
	Battery terminal	2	A small amount	

NOTE :

* KUBOTA UDT or SUPER UDT fluid... KUBOTA original transmission hydraulic fluid

NOTE :

- Engine Oil:
 - Oil used in the engine should have an American Petroleum Institute (API) service classification and Proper SAE Engine Oil according to the ambient temperatures as shown above:
 - With the emission control now in effect, the CF-4 and CG-4 lubricating oils have been developed for use of a low-sulfur fuel on on-road vehicle engines. When an off-road vehicle engine runs on a high-sulfur fuel, it is advisable to employ the CF, CD or CE lubricating oil with a high total base number. **If the CF-4 or CG-4 lubricating oil is used with a high-sulfur fuel, change the lubricating oil at shorter intervals.**
 - Lubricating oil recommended when a low-sulfur or high-sulfur fuel is employed.
○ : Recommendable X : Not Recommendable

Lubricating oil class	Fuel		Remark
	Low-sulfur	High-sulfur	
CF	○	○	TBN \geq 10
CF-4	○	X	
CG-4	○	X	

- Transmission oil:

The oil used to lubricate the transmission is also used as hydraulic fluid. To insure proper operation of the hydraulic system and to complete lubrication of the transmission, it is important that a multi-grade transmission fluid is used in this system. We recommend the use of **KUBOTA UDT or SUPER UDT fluid** for optimum protection and performance. (Consult your local KUBOTA Dealer for further detail.)
Do not mix different brands together.
- Indicated capacities of water and oil are manufacturer's estimate.

PERIODIC SERVICE



WARNING

To avoid personal injury or death:

- Do not work under any hydraulically supported devices. They can settle, suddenly leak down, or be accidentally lowered. If necessary to work under tractor or any machine elements for servicing or adjustment, securely support them with stands or suitable blocking beforehand.

HOW TO OPEN THE HOOD



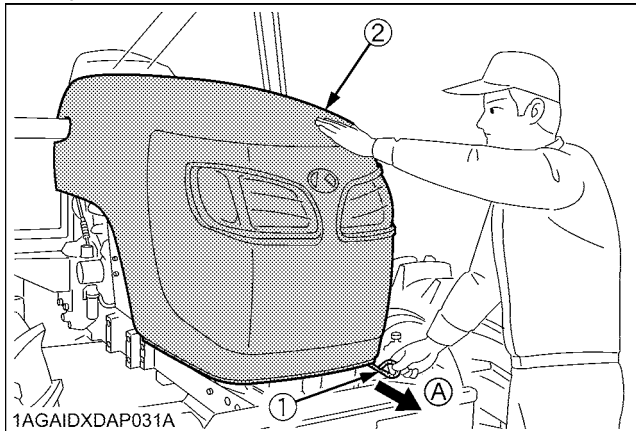
WARNING

To avoid personal injury or death from contact with moving parts;

- Never open the hood while the engine is running.
- Do not touch muffler or exhaust pipes while they are hot; Severe burns could result.
- Hold the hood with other hand while unlocking release lever.

■ Hood

To open the hood, hold the hood and pull the release lever and open the hood.

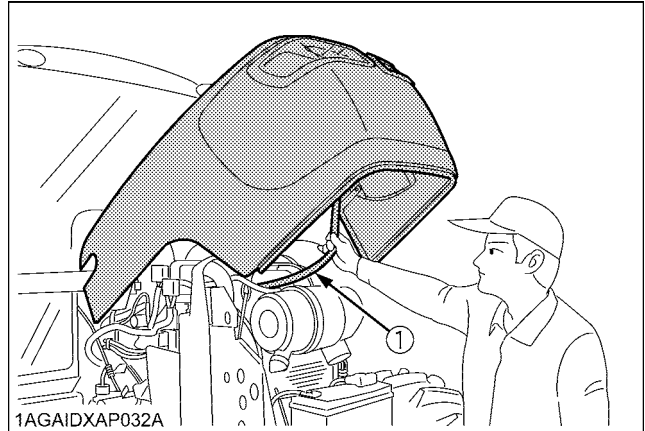


(1) Release lever
(2) Hood

(A) "PULL"

NOTE :

- To close the hood, pull down on the strap and push the hood into position using both hands.



(1) Strap

DAILY CHECK

For your own safety and maximum service life of the machine, make a thorough daily inspection before operating the machine to start the engine.



WARNING

To avoid personal injury or death:

- Be sure to check and service the tractor on a level surface with the engine shut off and the parking brake "ON" and implement lowered to the ground.

■ Walk Around Inspection

Look around and under the tractor for such items as loose bolts, trash build-up, oil or coolant leaks, broken or worn parts.

■ Checking and Refueling

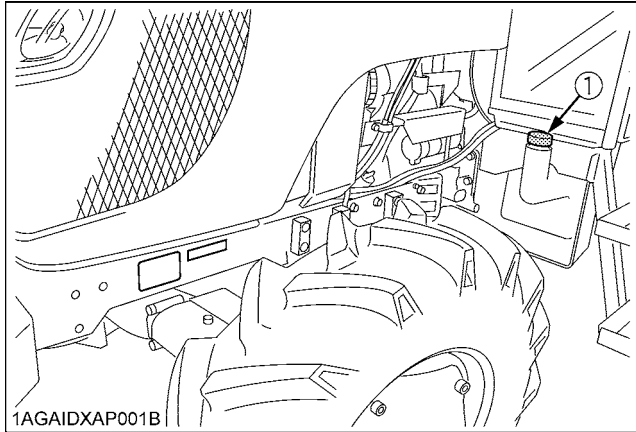


WARNING

To avoid personal injury or death:

- Do not smoke while refueling.
- Be sure to stop the engine before refueling.

1. Check the amount of fuel by fuel gauge.
2. When the fuel warning indicator lights up, it is time to add fuel.



(1) Fuel tank cap

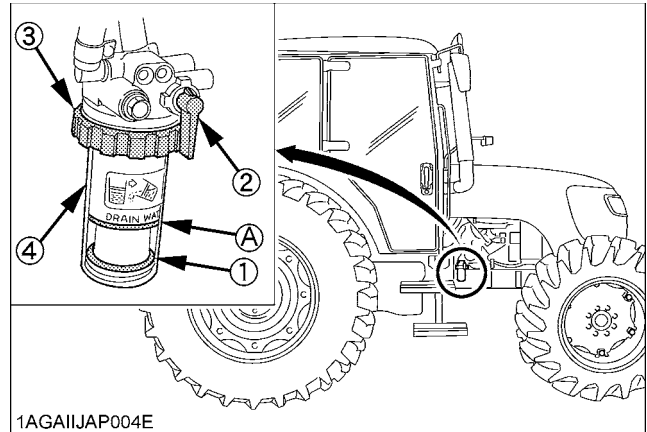
Fuel tank capacity	175 L
--------------------	-------

IMPORTANT :

- Do not permit dirt or trash to get into the fuel system.
- Be careful not to let the fuel tank become empty, otherwise air will enter the fuel system, necessitating bleeding before next engine start.
- Be careful not to spill during refueling. If a spill should occur, wipe it off at once, or it may cause a fire.
- To prevent condensation (water) accumulation in the fuel tank, fill the tank before parking overnight.

■ Checking Water Separator

1. As water is collected in the water separator, the red float is raised.
2. When the red float has reached the white line, close the fuel shutoff-valve, loosen the retainer ring, take out the cup, and clean the cup. Be careful not to break the element.
3. Place the cup back into position. Bleed the fuel system.
(See "SERVICE AS REQUIRED" in "PERIODIC SERVICE" section.)



(1) Red float

(2) Fuel cock

(3) Retainer ring

(4) Cup

(A) "WHITE LINE"

IMPORTANT :

- If water is drawn through to the fuel pump, extensive damage will occur.

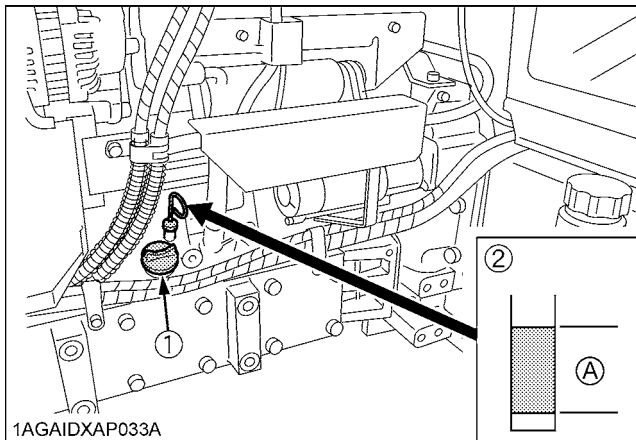
■ Checking Engine Oil Level

WARNING

To avoid personal injury or death:

- Be sure to stop the engine before checking the oil level.

1. Park the machine on a flat surface.
2. Check engine oil before starting the engine or 5 minutes or more after the engine has stopped.
3. To check the oil level, draw out the dipstick, wipe it clean, replace it, and draw it out again. Check to see that the oil level lies between the 2 notches. If the level is too low, add new oil to the prescribed level at the oil inlet.
(See "LUBRICANTS, FUEL AND COOLANT" in "MAINTENANCE" section.)



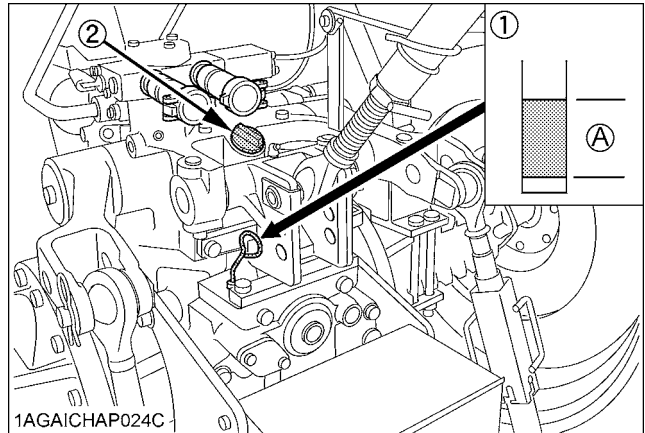
(1) Oil inlet (A) Oil level is acceptable within this range.
(2) Dipstick

IMPORTANT :

- When using an oil of different maker or viscosity from the previous one, remove all of the old oil. Never mix two different types of oil.
- If oil level is low, do not run engine.

■ Checking Transmission Fluid Level

1. Park the machine on a flat surface, lower the implement and shut off engine.
2. To check the oil level, draw out the dipstick, wipe it clean, replace it, and draw it out again. Check to see that the oil level lies between the 2 notches. If the level is too low, add new oil to the prescribed level at the oil inlet.
(See "LUBRICANTS, FUEL AND COOLANT" in "MAINTENANCE" section.)



(1) Dipstick (A) Oil level is acceptable within this range.
(2) Oil inlet

IMPORTANT :

- If oil level is low, do not run engine.

■ Checking Coolant Level

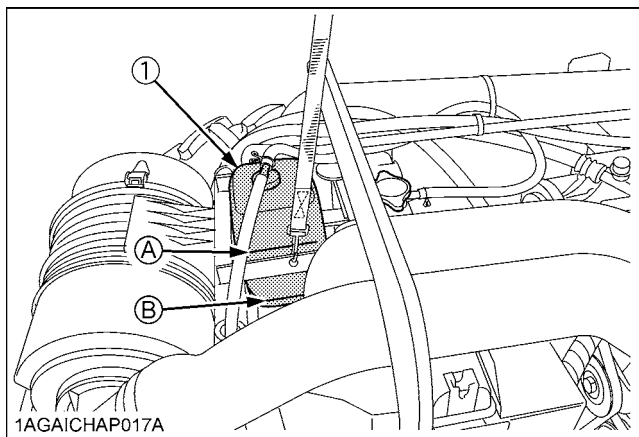


WARNING

To avoid personal injury or death:

- Do not remove radiator cap while coolant is hot. When cool, slowly rotate cap to the first stop and allow sufficient time for excess pressure to escape before removing the cap completely.

1. Check to see that the coolant level is between the "FULL" and "LOW" marks of recovery tank.
2. When the coolant level drops due to evaporation, add soft water only up to the full level.
In case of leakage, add anti-freeze and soft water in the specified mixing ratio up to the full level.
(See "Flushing Cooling System and Changing Coolant" in "EVERY 2000 HOURS or 2 YEARS" in "PERIODIC SERVICE" section.)



(1) Recovery tank

(A) "FULL"
(B) "LOW"

IMPORTANT :

- If the radiator cap has to be removed, follow the caution above and securely retighten the cap.
- Use clean, fresh soft water and anti-freeze to fill the recovery tank.
- If water should leak, consult your local KUBOTA Dealer.

■ Checking Brake Oil Level



WARNING

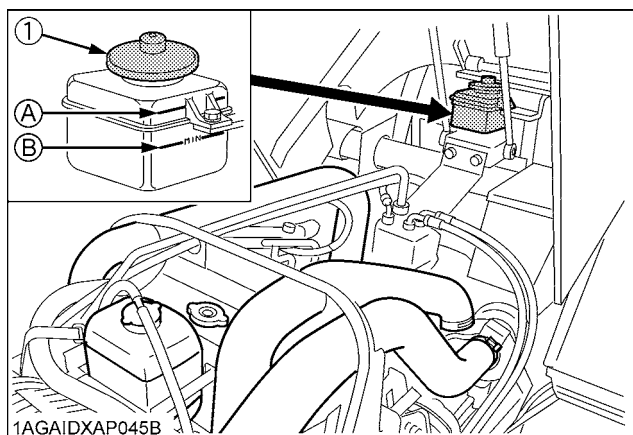
To avoid personal injury or death:

- Never operate the tractor, if the brake oil is below the "MIN" line.
- Be sure to use the recommended mineral type brake oil. (see "LUBRICANTS" in "MAINTENANCE" section.)

Never use automotive brake oil. This will cause brake failure.

- When replenishing brake oil, use the same quality of oil as the one already in the tank. Adding an oil of different make or type can cause damage, and must be avoided.

1. Check to see that the brake oil level is between the MAX and MIN marks.
2. If it is below the MIN line, consult your local KUBOTA Dealer.

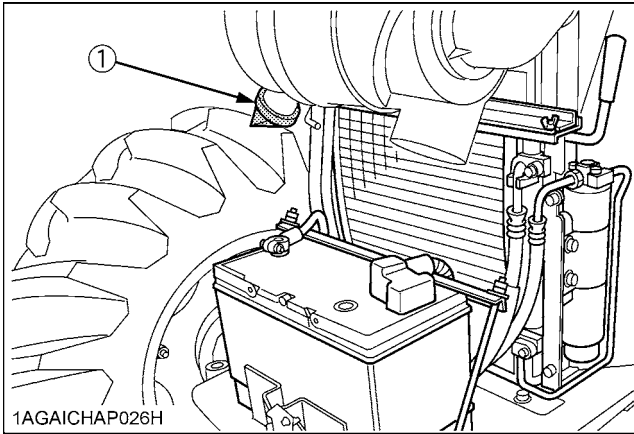


(1) Oil tank cap

(A) "MAX"
(B) "MIN"

■ Cleaning Evacuator Valve

Open the evacuator valve to get rid of large particles of dust and dirt.



1AGAICHAP026H

(1) Evacuator valve

■ Cleaning Grill, Radiator Screen, Intercooler and Oil Cooler



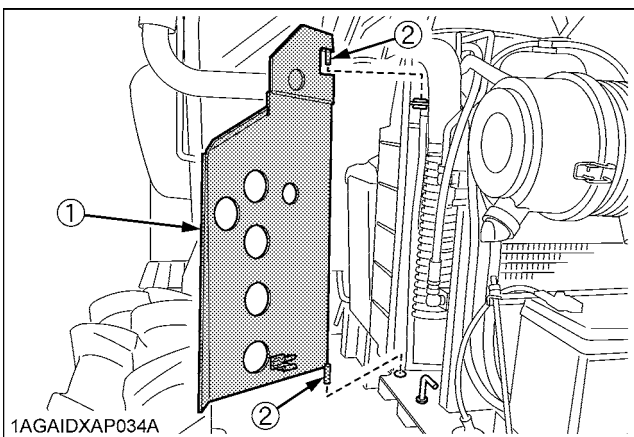
WARNING

To avoid personal injury or death:

- Be sure to stop the engine before removing the screen.
- The condenser and receiver become hot while the air conditioner is running. Before checking or cleaning them, wait until they cool down enough.

◆ Detaching the Panel [RH]

1. To open the panel (RH), pull its front outward.
2. Lift the panel until pin (A) clears the hole.
3. Pull the panel.
4. Attaching the panel is performed vice versa.

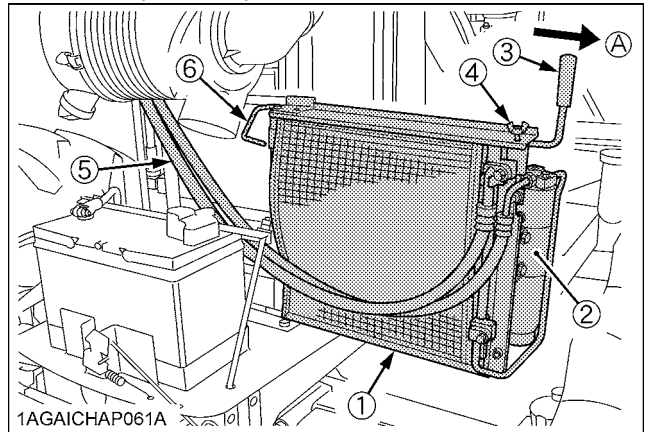


1AGAIDXAP034A

(1) Panel (RH)
(2) Pin (A)

◆ Detaching the Panel (LH)

1. Release the air conditioner hoses off the hook.
2. Loosen the wing nut.
3. Hold the handle, slide the air conditioner condenser assembly toward yourself.



1AGAICHAP061A

(1) Condenser

(2) Receiver

(3) Handle

(4) Wing nut

(5) Air conditioner hose

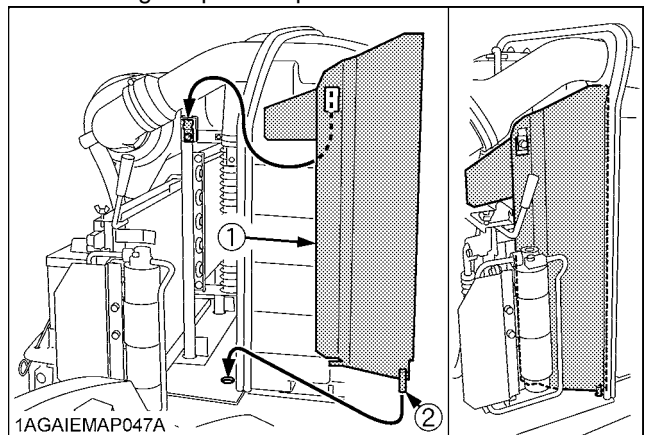
(6) Hook

(A) "PULL"

IMPORTANT :

- Do not hold the air conditioner receiver or the air conditioner pipes when sliding out the condenser for cleaning.

4. Lift the panel (LH) until pin (A) clears the hole.
5. Pull the panel (LH).
6. Attaching the panel is performed vice versa.



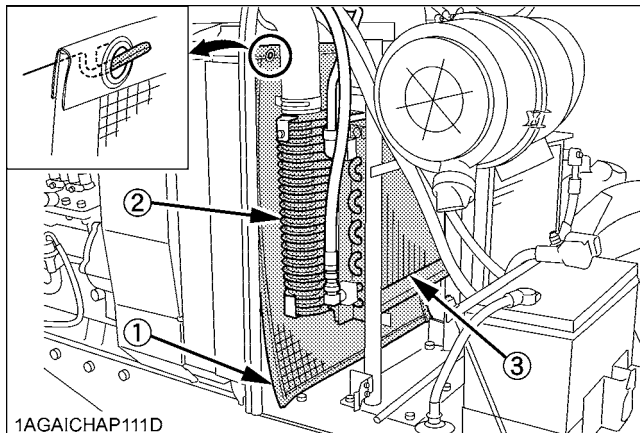
1AGAIEMAP047A

(1) Panel (LH)

(2) Pin (A)

◆ Cleaning

1. Check front grill to be sure it is clean from debris.
2. Detach the radiator screen and remove all foreign materials.
3. Check oil cooler and intercooler to be sure they are clean from debris.



- 1AGAICHAP111D
- (1) Radiator screen
(2) Intercooler
(3) Oil cooler

IMPORTANT :

- Grill and screen must be clean from debris to prevent engine from overheating and to allow good air intake for air cleaner.

■ Cleaning Air Conditioner Condenser Screen

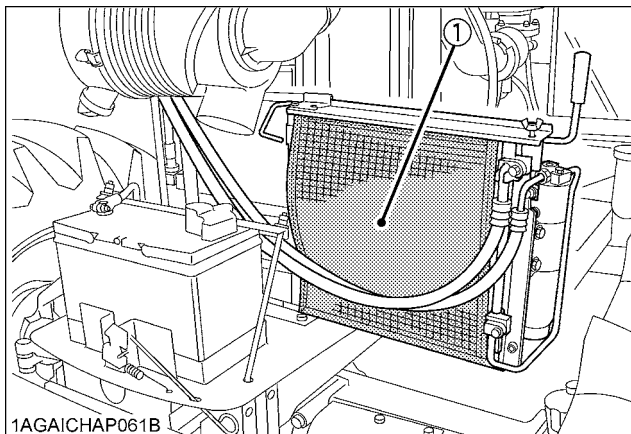


WARNING

To avoid personal injury or death:

- Be sure to stop the engine before removing the screen.

1. Detach the air conditioner condenser screen and remove all foreign materials.



- 1AGAICHAP061B
- (1) Air conditioner condenser screen

IMPORTANT :

- Grill and screen must be clean from debris to prevent engine from overheating and to allow good air intake for air cleaner.

■ Checking Brake Pedal



WARNING

To avoid personal injury or death:

- Be sure brake pedals have equal adjustment when using locked together. Incorrect or unequal brake pedal adjustment can cause the tractor to swerve or roll-over.

1. Inspect the brake pedals for free travel, and smooth operation.
2. Adjust if incorrect measurement is found:
(See "Adjusting Brake Pedal" in "EVERY 100 HOURS" in "PERIODIC SERVICE" section.)

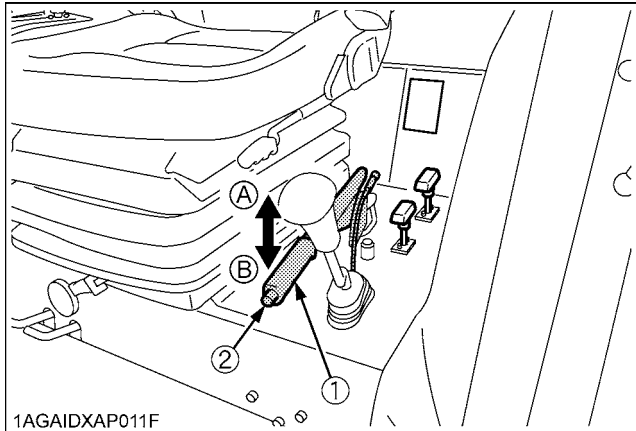
■ Checking Parking Brake

Pull the parking brake lever to apply the brakes. With the key switch at "ON" position, the parking brake indicator on the instrument panel lights up.

To release the brakes, push in the button at the tip of the parking brake lever and tilt down the lever.

NOTE :

- Make sure the (ⓘ) lamp on the instrument panel goes off when parking brake lever is down.



(1) Parking brake lever
(2) Release button

(A) "PULL"
(B) "RELEASE"

■ Checking Gauges, Meter and Easy Checker (TM)

1. Inspect the instrument panel for broken gauge(s), meter(s) and Easy Checker (TM).
2. Replace if broken.

■ Checking Head Light, Hazard Light etc.

1. Inspect the lights for broken bulbs and lenses.
2. Replace if broken.

■ Checking Seat Belt

1. Always check condition of seat belt attaching hardware before operating tractor.
2. Replace if damaged.

■ Checking Movable Parts

If any of the movable parts, such as levers and pedals, is not smoothly moved because of rust or sticky material, do not attempt to force it into motion.

In the above case, remove the rust or the sticky material, and apply oil or grease on the relevant spot.

Otherwise, the machine may get damaged.

EVERY 50 HOURS

■ Checking Engine Start System



WARNING

To avoid personal injury or death:

- Do not allow anyone near the tractor while testing.
- If the tractor does not pass the test, do not operate the tractor.

◆ Preparation before testing.

1. Place all control levers in the "NEUTRAL" position.
2. Set the parking brake and stop the engine.

◆ Test: Switch for the main gear shift lever.

1. Follow the instruction of "PARKING THE TRACTOR". (See "PARKING THE TRACTOR" in "SAFE OPERATION" section.)
2. Sit on the operator's seat.
3. Shift the main gear shift lever to the desired position.
4. Depress the clutch pedal fully.
5. Disengage the PTO clutch control switch or lever.
6. Turn the key to "START" position.
7. The engine must not crank.
8. If it cranks, consult your local KUBOTA Dealer for this service.

◆ Test: Switch for the PTO clutch control switch or lever.

1. Follow the instruction of "PARKING THE TRACTOR". (See "PARKING THE TRACTOR" in "SAFE OPERATION" section.)
2. Sit on the operator's seat.
3. Engage the PTO clutch control switch or lever.
4. Depress the clutch pedal fully.
5. Shift the main gear shift lever to the neutral position.
6. Turn the key to "START" position.
7. The engine must not crank.
8. If it cranks, consult your local KUBOTA Dealer for this service.

◆ Test: Checking Operator Presence Control (O.P.C.) System.

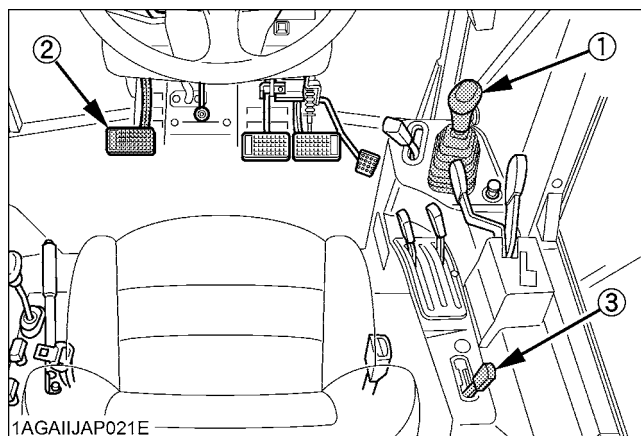
1. Follow the instruction of "PARKING THE TRACTOR". (See "PARKING THE TRACTOR" in "SAFE OPERATION" section.)
2. Make sure the PTO drive shaft is disconnected from the tractor.
3. Sit on the operator's seat.
4. Start the engine.
5. Engage the PTO clutch control switch or lever. The PTO should begin to rotate. Disengage the PTO clutch control switch or lever.
6. While lifting yourself from the seat, engage the PTO clutch control switch or lever.
 - (1) The PTO should begin to rotate and a buzzer should sound.
 - (2) Disengage the PTO clutch control switch or lever.

- (3) If the buzzer does not sound, shut off the engine and consult your local KUBOTA Dealer for immediate servicing of the PTO OPC.
- 7. If the PTO OPC is operating properly, shut off the engine, and reconnect the implement drive shaft to the PTO. Restart the engine per the available instructions.

WARNING

To avoid personal injury or death:

- Before checking the PTO OPC, make sure that the PTO drive shaft should be disconnected from the tractor.
- If the buzzer does not sound during the PTO OPC check procedure, shut off engine and consult your local KUBOTA Dealer for immediate servicing of the PTO OPC.
- The unit should not be operated until servicing is completed.



- (1) Main gear shift lever
- (2) Clutch pedal
- (3) PTO clutch control lever

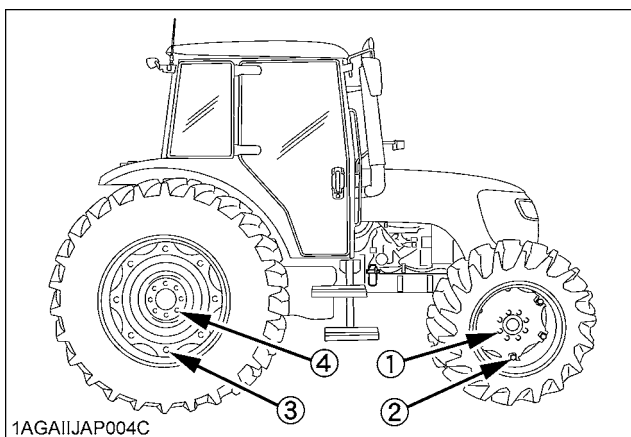
Checking Wheel Bolt Torque

WARNING

To avoid personal injury or death:

- Never operate tractor with a loose rim, wheel, or axle.
- Any time bolts and nuts are loosened, retighten to specified torque.
- Check all bolts and nuts frequently and keep them tight.

Check wheel bolts and nuts regularly especially when new. If they are loose, tighten them as follows.



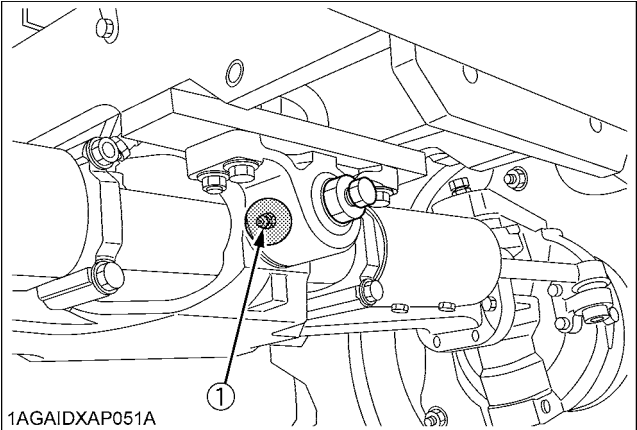
N-m (kgf-m)

(1), (2), (3)	(4)
260 to 303 (26.5 to 31.0)	343 to 401 (35.0 to 41.0)

EVERY 100 HOURS

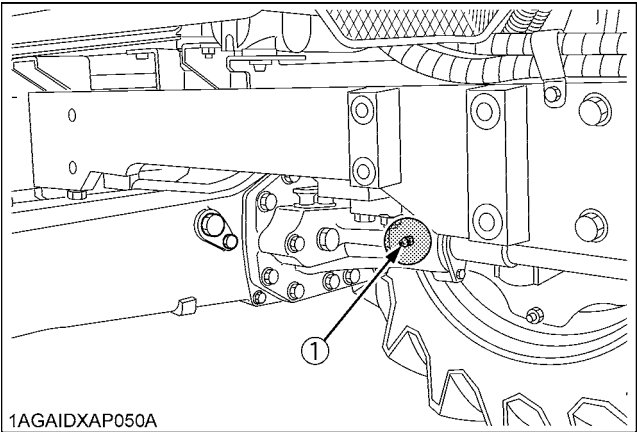
■ Lubricating Grease Fittings

Apply a small amount of multipurpose grease to the following points every 100 hours:
If you operated the machine in extremely wet and muddy conditions, lubricate grease fittings more often.



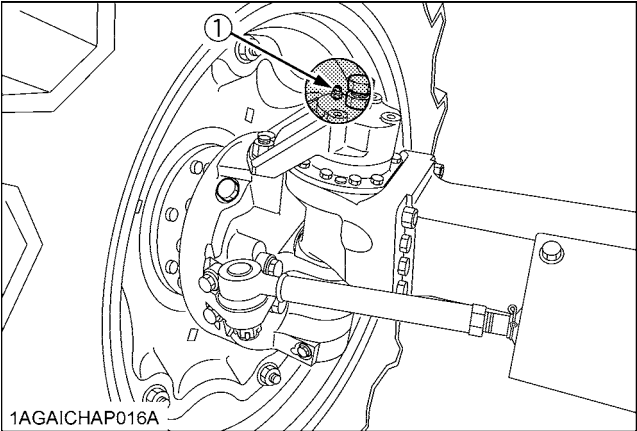
1AGAIDXAP051A

(1) Grease fitting (Front axle support)



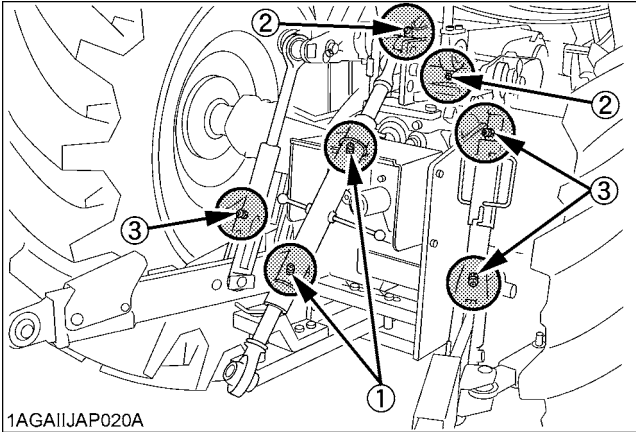
1AGAIDXAP050A

(1) Grease fitting (Front axle support)



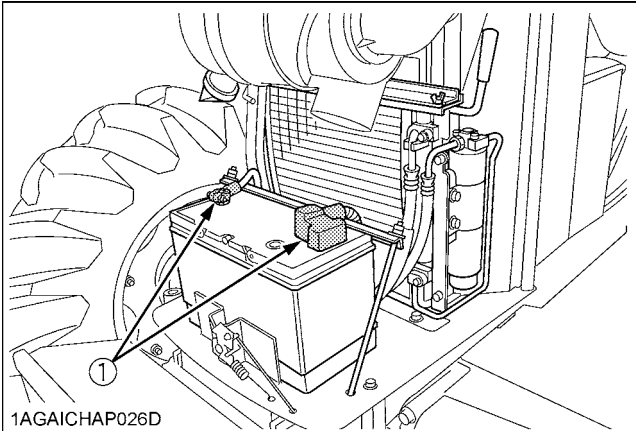
1AGAICHAP016A

(1) Grease fitting (Front axle gear case support) [RH, LH]



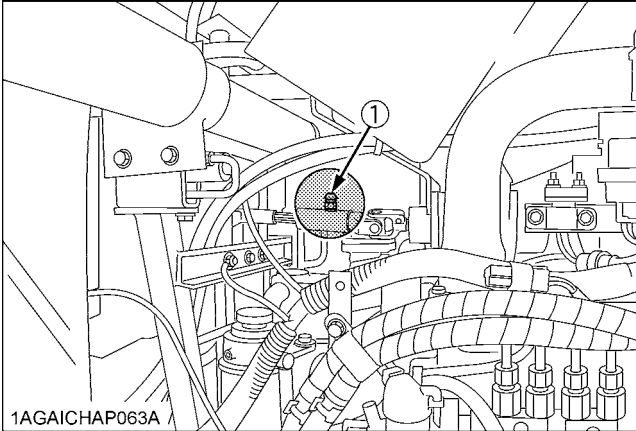
1AGAIJAP020A

- (1) Grease fitting (Top link)
- (2) Grease fitting (Top link bracket)
- (3) Grease fitting (Lifting rod)



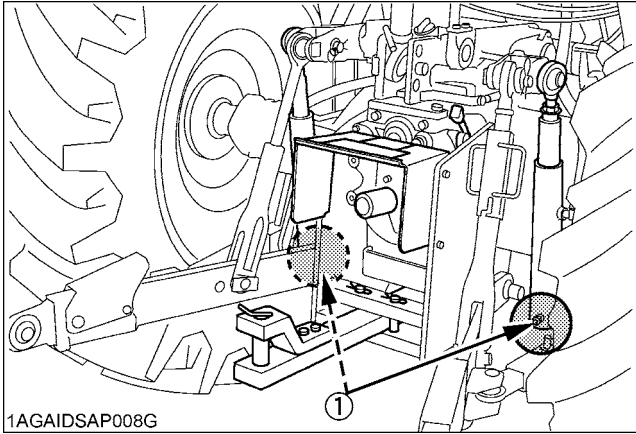
1AGAICHAP026D

(1) Battery terminals



1AGAICHAP063A

(1) Grease fitting (Steering joint shaft)



1AGAIDSAP008G

(1) Grease fitting (Assist cylinder) (if equipped)

■ Checking Battery Condition

! DANGER

To avoid the possibility of battery explosion:
For the refillable type battery, follow the instructions below.

- Do not use or charge the refillable type battery if the fluid level is below the LOWER (lower limit level) mark. Otherwise, the battery component parts may prematurely deteriorate, which may shorten the battery's service life or cause an explosion. Check the fluid level regularly and add distilled water as required so that the fluid level is between the UPPER and LOWER levels.

! WARNING

To avoid personal injury or death:

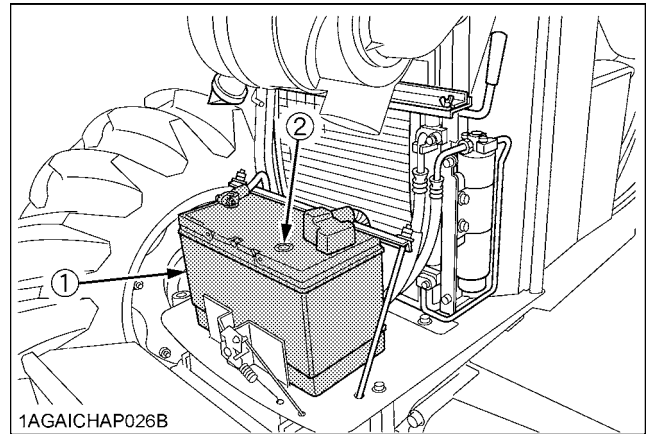
- Never remove the battery cap while the engine is running.
- Keep electrolyte away from eyes, hands and clothes. If you are splattered with it, wash it away completely with water immediately and get medical attention.
- Keep open sparks and flames away from the battery at all times. Hydrogen gas mixed with oxygen becomes very explosive.
- Wear eye protection and rubber gloves when working around battery.

The factory-installed battery is of non-refillable type. If the indicator turns white, do not charge the battery but replace it with new one.

Mishandling the battery shortens the service life and adds to maintenance costs.

The original battery is maintenance free, but needs some servicing.

If the battery is weak, the engine will be difficult to start and the lights will be dim. It is important to check the battery periodically.



1AGAICHAP026B

(1) Battery
(2) Indicator

◆ How to read the indicator

Check the battery condition by reading the indicator.

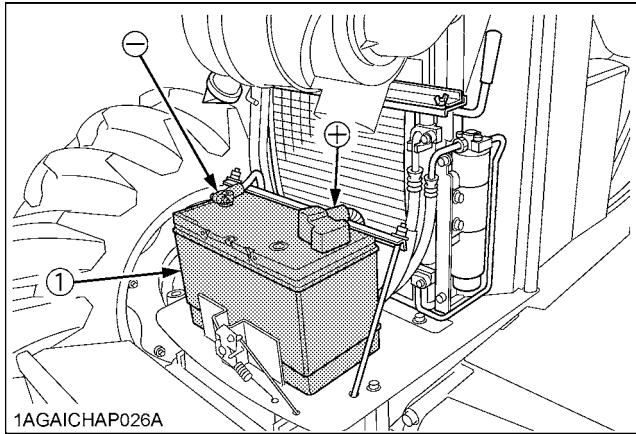
State of indicator display	
Green	Specific gravity of electrolyte and quality of electrolyte are both in good condition.
Black	Needs charging battery.
White	Needs replacing battery.

◆ Battery Charging

! WARNING

To avoid personal injury or death:

- When the battery is being activated, hydrogen and oxygen gases in the battery are extremely explosive. Keep open sparks and flames away from the battery at all times, especially when charging the battery.
- When charging the battery, ensure the vent caps are securely in place. (if equipped)
- When disconnecting the cable from the battery, start with the negative terminal first. When connecting the cable to the battery, start with the positive terminal first.
- Never check battery charge by placing a metal object across the posts. Use a voltmeter or hydrometer.



(1) Battery

1. To slow charge the battery, connect the battery positive terminal to the charger positive terminal and the negative to the negative, then recharge in the standard fashion.
2. A boost charge is only for emergencies. It will partially charge the battery at a high rate and in a short time. When using a boost-charged battery, it is necessary to recharge the battery as early as possible. Failure to do this will shorten the battery's service life.
3. The battery is charged if the indicator display turns green from black.
4. When exchanging an old battery for a new one, use battery of equal specification shown in **table 1**.

Table 1

Battery Type	Volts (V)	Capacity at 5H.R(A.H)
GP31 (105E41R)	12	85.3
Reserve Capacity (min)	Cold Cranking Amps	Normal Charging Rate (A)
160	900	11

◆ **Direction for Storage**

1. When storing the tractor for long periods of time, remove the battery from tractor, adjust the electrolyte to the proper level and store in a dry place out of direct sunlight.
2. The battery self-discharges while it is stored. Recharge it once every 3 months in hot seasons and once every 6 months in cold seasons.

IMPORTANT :

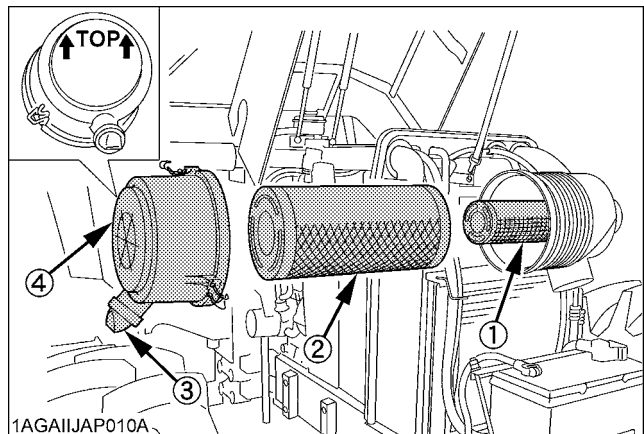
- In checking and refilling the battery, be careful not to spill battery fluid. Spilt battery fluid may affect the engine controller (ECU) located below the battery, resulting in damage.

■ **Cleaning Air Cleaner Primary Element**

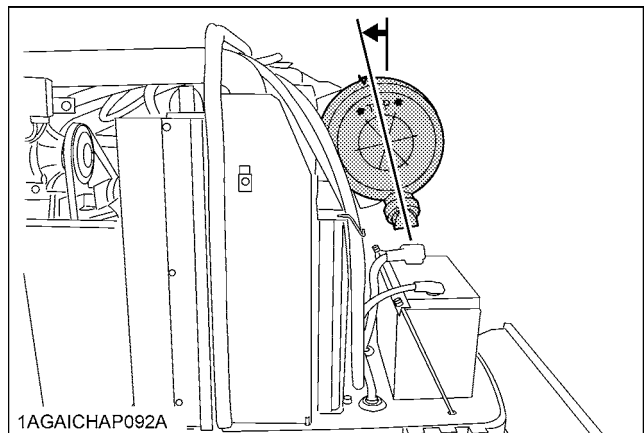
1. Remove the air cleaner cover and primary element.
2. Clean the primary element:
 - (1) When dry dust adheres to the element, blow compressed air from the inside, turning the element. Pressure of compressed air must be under 205 kPa (2.1 kgf/cm², 30 psi).
 - (2) When carbon or oil adheres to the element, soak the element in detergent for 15 minutes then wash it several times in water, rinse with clean water and dry it naturally. After element is fully dried, inspect inside of the element with a light and check if it is damaged or not.
3. Replace air cleaner primary element: Once every 1000 hours or yearly, whichever comes first.

NOTE :

- Check to see if the evacuator valve is blocked with dust.



- (1) Secondary (safety) element
- (2) Primary element
- (3) Evacuator valve
- (4) Cover



IMPORTANT :

- The air cleaner uses a dry element, never apply oil.
- Do not run the engine with filter element removed.
- Be sure to refit the cover with the arrow ↑ (on the rear of cover) upright. If the cover is improperly fitted, evacuator valve will not function and dust will adhere to the element.
- Do not touch the secondary element except in cases where replacing is required.
(See "Replacing Air Cleaner Secondary Element" in "EVERY 1000 HOURS or 1 YEAR" in "PERIODIC SERVICE" section.)

◆ **Evacuator Valve**

Open the evacuator valve once a week under ordinary conditions - or daily when used in a dusty place - to get rid of large particles of dust and dirt.

■ **Adjusting Fan Belt Tension**



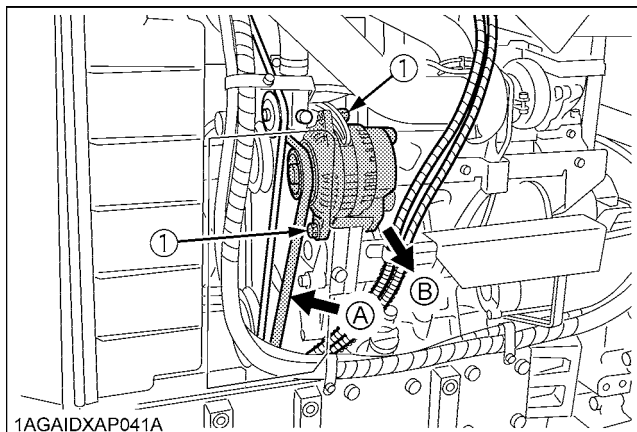
WARNING

To avoid personal injury or death:

- Be sure to stop the engine before checking belt tension.

Proper fan belt tension	A deflection of between 10 to 12 mm when the belt is pressed in the middle of the span.
-------------------------	---

1. Stop the engine and remove the key.
2. Apply moderate thumb pressure to belt between pulleys.
3. If tension is incorrect, loosen the alternator mounting bolts and, using a lever placed between the alternator and the engine block, pull the alternator out until the deflection of the belt falls within acceptable limits.
4. Replace fan belt if it is damaged.



(1) Bolt

(A) Check the belt tension

(B) To tighten

■ **Adjusting Brake Pedal**



WARNING

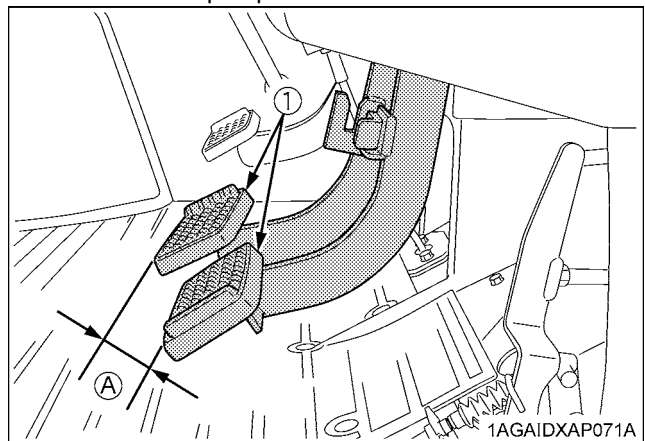
To avoid personal injury or death:

- Stop the engine and chock the wheels before checking brake pedal.
- To prevent uneven braking, the specification must be within the recommended limit. If found out of the specifications, contact your local KUBOTA Dealer for adjusting the brakes.

◆ **Checking the brake pedal free travel**

Proper brake pedal free travel	7 to 14 mm on the pedal
	Keep the free travel in the right and left brake pedals equal.

1. Release the parking brake.
2. Slightly depress the brake pedals and measure free travel at the top of pedal stroke.



(1) Brake pedals

(A) "FREE TRAVEL"

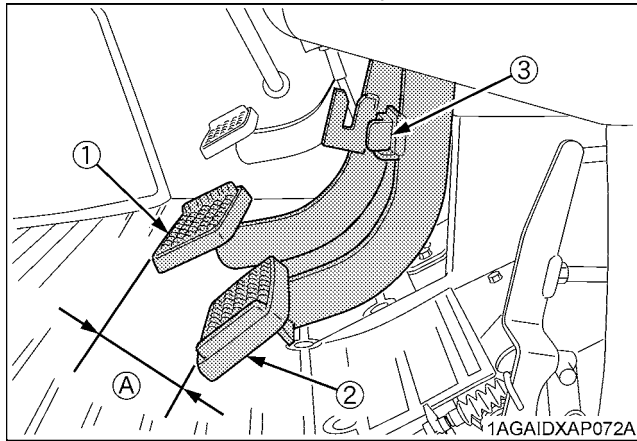
NOTE :

- Brake pedals should be equal when depressed.

◆ **Checking the brake pedal stroke**

Pedal stroke	Less than 100 mm at each pedal
--------------	--------------------------------

1. Disengage the brake pedal lock.
2. Step on the right-hand pedal and measure the level difference (pedal stroke) between this pedal and the left-hand pedal.
3. Do the same for the left-hand pedal.



(1) Brake pedal (LH) (2) Brake pedal (RH) (3) Brake pedal lock
(A) "PEDAL STROKE"
1AG AIDXAP072A

◆ **Checking the equalizer working level (anti-imbalance device)**

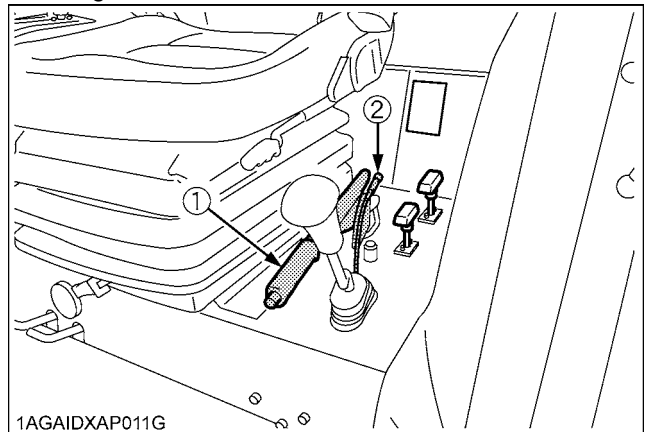
1. Gently step on both brake pedals at once.
2. Further step on the right-hand pedal (the left-hand pedal slightly raises itself) and measure the level difference between the pedals.
3. Do the same for the left-hand pedal.

Equalizer working level	Level difference of over 10 mm between both pedals
-------------------------	--

■ **Adjusting Parking Brake Lever**

Proper parking brake lever free travel	2 notches (Ratchet sound 2).
--	------------------------------

1. Raise the parking brake lever to the parking position while counting the ratchet sound made by the parking brake lever.
2. If adjustment is needed, loosen the lock nut and adjust the parking brake cable length with in acceptable limit.
3. Retighten the lock nut.

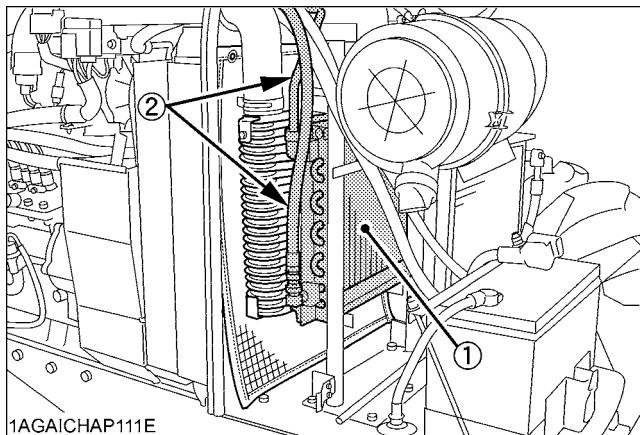


(1) Parking brake lever (2) Lock nut
1AG AIDXAP011G

EVERY 200 HOURS

■ Checking Oil Cooler Line

1. Check to see that all lines and hose clamps are tight and not damaged.
2. If hoses and clamps are found worn or damaged, replace or repair them at once.



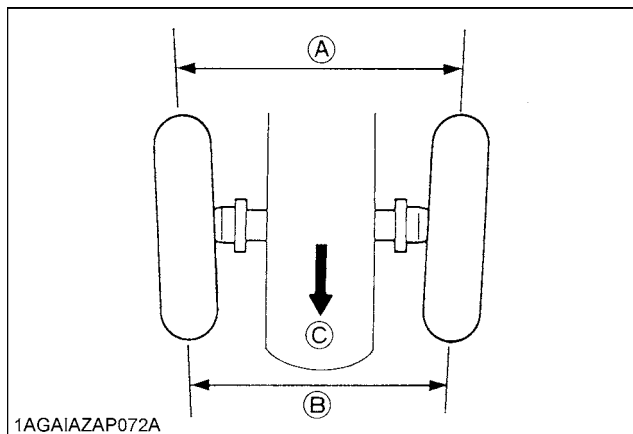
1AGAICHAP111E

- (1) Oil cooler
(2) Oil cooler line

■ Adjusting Toe-in

Proper toe-in	2 to 8 mm
---------------	-----------

1. Park tractor on a flat place.
2. Turn steering wheel so front wheels are in the straight ahead position.
3. Lower the implement, lock the park brake and stop the engine.
4. Measure distance between tire beads at front of tire, at hub height.
5. Measure distance between tire beads at rear of tire, at hub height.
6. Front distance should be shorter than rear distance. If not, adjust tie rod length.

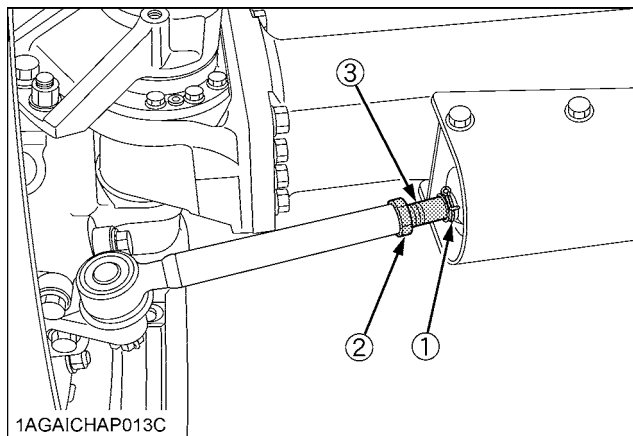


1AGAIAZAP072A

- (A) Wheel - to - wheel distance at rear
(B) Wheel - to - wheel distance at front
(C) "FRONT"

◆ Adjusting procedures

1. Detach the snap ring.
2. Loosen the tie-rod nut.
3. Turn the tie-rod joint to adjust the rod length until the proper toe-in measurement is obtained.
4. Retighten the tie-rod nut.
5. Attach the snap ring of the tie-rod joint.

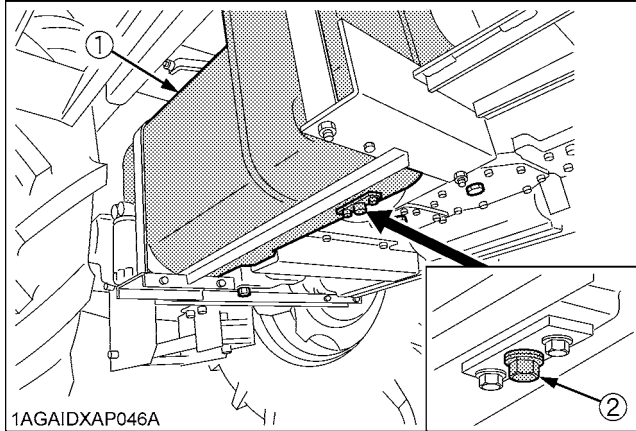


1AGAICHAP013C

- (1) Snap ring
(2) Tie-rod nut
167 to 196 N-m (17 to 20 kgf-m)
(3) Tie-rod joint

■ Draining Fuel Tank Water

Loosen the drain plug at the bottom of the fuel tank to let sediments, impurities and water out of the tank. Finally tighten up the plug.



(1) Fuel Tank (Right)
(2) Drain plug

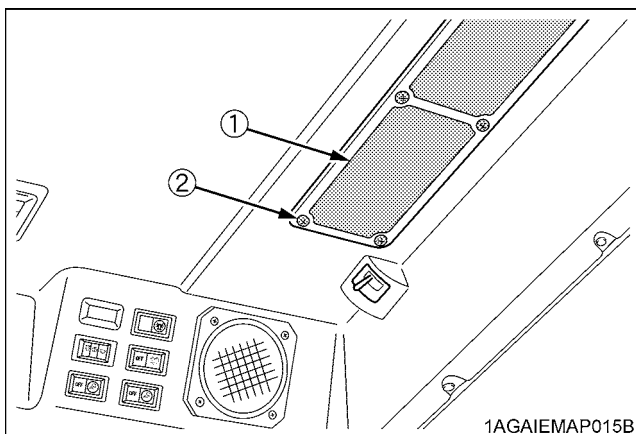
IMPORTANT :

- If the fuel contains impurities, such as water, drain the fuel tank at shorter intervals.
- Drain the fuel tank before operating the tractor after a long period of storage.

■ Cleaning Inner Air Filter

Remove the inner filter, and blow air from the direction opposite to the filter's normal air flow.

Pressure of compressed air must be under 205 kPa (2.1 kgf/cm², 30 psi).

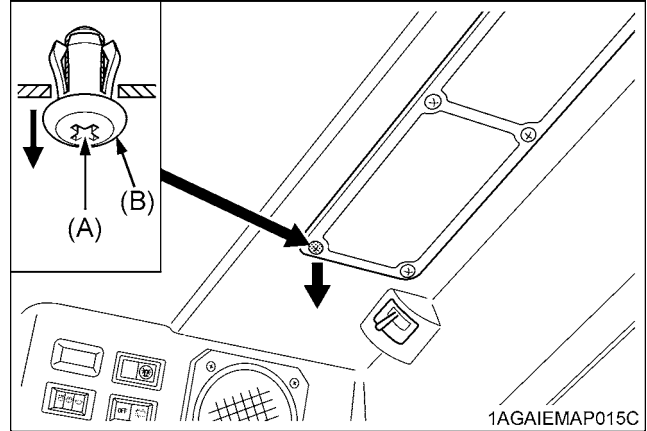


(1) Inner air filter
(2) Push-rivet

◆ How to attach and detach the push-rivet assy.

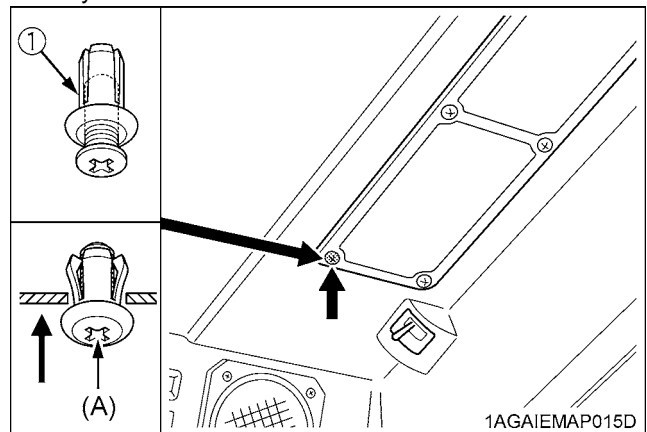
● Detaching procedure

To remove the push rivet of the indoor air filter, hold the rivet around its head (B), apply a Phillips screwdriver to the recess (A) and turn the rivet counterclockwise.



● Attaching procedure

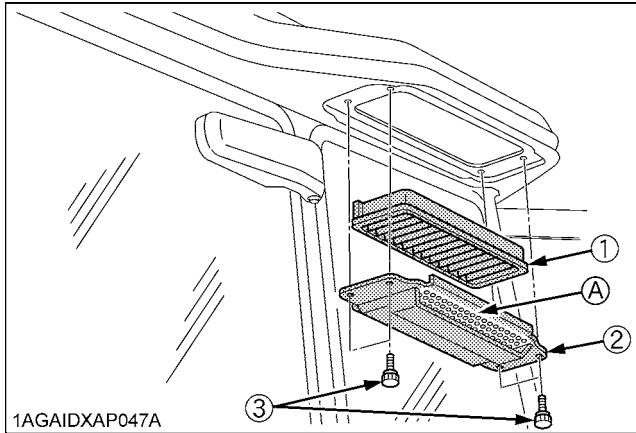
To fix the push rivet in the indoor air filter, put the rivet end in the filter and push on the rivet head (A) all the way.



(1) Push rivet removed

■ Cleaning Fresh Air Filter

Remove the knob bolts and pull out filter.



(1) Fresh air filter

(A) Air inlet port

(2) Cover

(3) Knob bolt

NOTE :

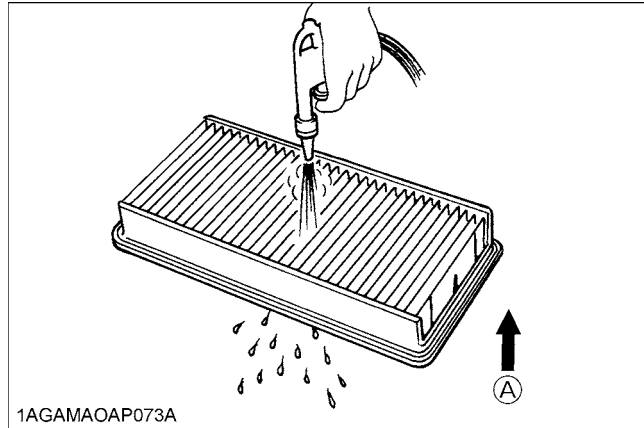
- Attach the filter and cover as the illustration above.

◆ Cleaning the air filter

- Normal use
Blow air from the opposite direction to the filter's normal air flow.
Pressure of compressed air must be under 205 kPa (2.1 kg/cm², 30 psi).

IMPORTANT :

- Do not hit the filter. If the filter becomes deformed, dust may enter into the air-conditioner, which may cause damage and malfunction.



(A) "AIR CONDITIONER AIRFLOW"

NOTE :

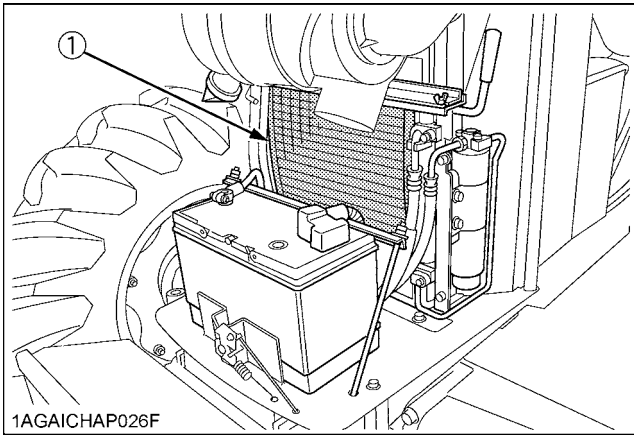
- If the filter is very dirty:
Dip the filter in lukewarm water with mild dish washing detergent.
Move it up and down as well as left and right to loosen dirt. Rinse the filter with clean water and let it air-dry.

IMPORTANT :

- Do not use gasoline, thinner or similar chemicals to clean the filter as damage to the filter may occur.
- It may also cause an unpleasant odor in the CAB when the system is used next.

■ Checking Air Conditioner Condenser

Check air conditioner condenser to be sure it is clean of debris.



(1) Air conditioner condenser

◆ Sliding the air conditioner condenser

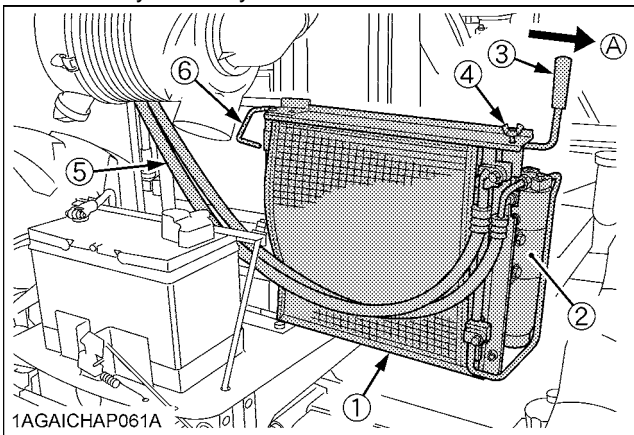


CAUTION

To avoid personal injury:

- The condenser and receiver become hot while the air conditioner is running. Before checking or cleaning them, wait long enough until they cool down.

1. Release the air conditioner hoses off the hook.
2. Loosen the wing nut.
3. Hold the handle, slide the air conditioner condenser assembly toward yourself.



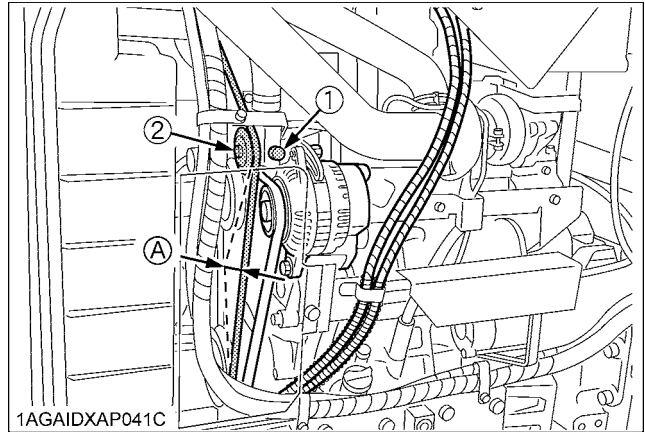
(1) Condenser (A) "PULL"
 (2) Receiver
 (3) Handle
 (4) Wing nut
 (5) Air conditioner hose
 (6) Hook

IMPORTANT :

- Do not hold the air conditioner receiver or the air conditioner pipes when sliding out the condenser for cleaning.

■ Adjusting Air-Conditioner Belt Tension

1. Push on the belt between the pulleys with a finger. A deflection of 10 to 12 mm under a 98 N (10 kgf) load is appropriate.
2. If tension is incorrect, loosen the tension pulley mounting nut and turn the adjusting bolt to adjust the belt tension within acceptable limits.



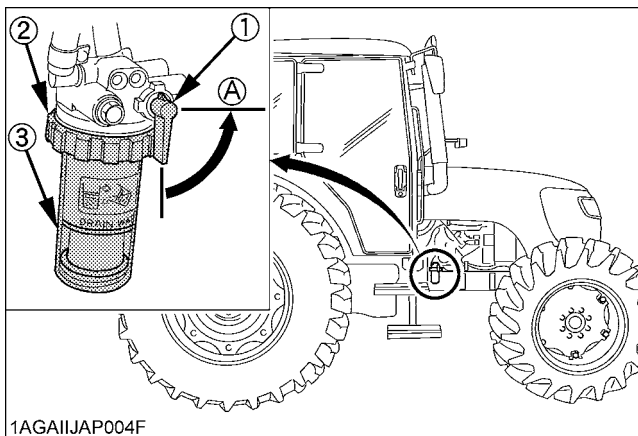
(1) Adjusting bolt (A) 10 to 12 mm
 (2) Tension pulley mounting nut

EVERY 400 HOURS

■ Cleaning Water Separator

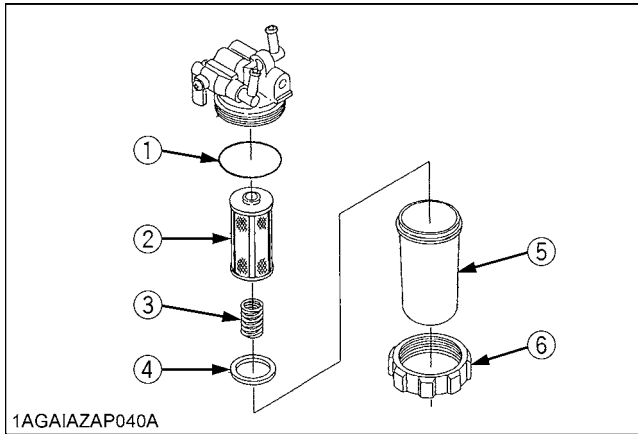
This job should not be done in the field, but in a clean place.

1. Close the fuel shutoff-valve.
2. Unscrew the retainer ring and remove the cup, and rinse the inside with kerosene.
3. Take out the element and dip it in the kerosene to rinse.
4. After cleaning, reassemble the water separator, keeping out dust and dirt.
5. Bleed the fuel system.
(See "Bleeding Fuel System" in "SERVICE AS REQUIRED" in "PERIODIC SERVICE" section.)



1AGAIJAP004F

- (1) Fuel cock
(2) Retainer ring
(3) Cup
(A) "CLOSE"



1AGAIAZAP040A

- (1) O ring
(2) Element
(3) Spring
(4) Red float
(5) Cup
(6) Retainer ring

EVERY 500 HOURS

■ Changing Engine Oil



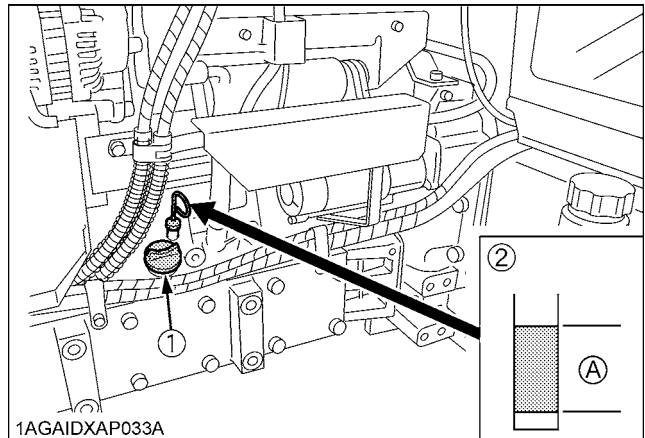
WARNING

To avoid personal injury or death:

- Be sure to stop the engine before changing the oil.
- Allow engine to cool down sufficiently, oil can be hot and can burn.

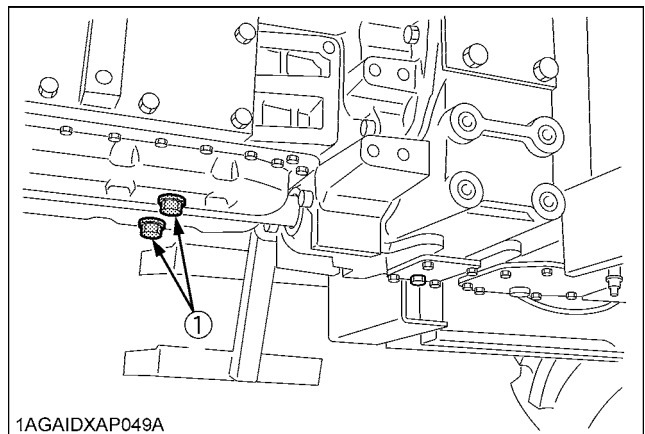
1. To drain the used oil, remove the drain plug at the bottom of the engine and drain the oil completely into the oil pan.
2. After draining reinstall the drain plug.
3. Fill with the new oil up to the upper notch on the dipstick.
(See "LUBRICANTS, FUEL AND COOLANT" in "MAINTENANCE" section.)

Oil capacity with filter	10.7 L
--------------------------	--------



1AGAIDXAP033A

- (1) Oil inlet (A) Oil level is acceptable within this range
(2) Dipstick



1AGAIDXAP049A

- (1) Drain plug

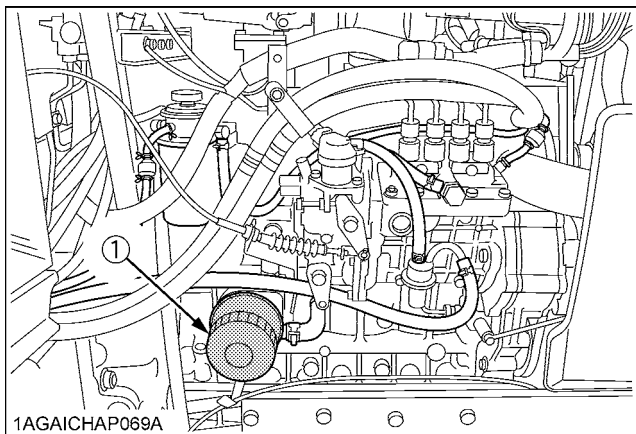
■ Replacing Engine Oil Filter

WARNING

To avoid personal injury or death:

- Be sure to stop the engine before replacing the oil filter cartridge.
- Allow engine to cool down sufficiently, oil can be hot and can burn.

1. Remove the oil filter.
2. Put a film of clean engine oil on the rubber seal of the new filter.
3. Tighten the filter quickly until it contacts the mounting surface.
Tighten filter by hand an additional 1/2 turn only.
4. After the new filter has been replaced, the engine oil normally decreases a little. Make sure that the engine oil does not leak through the seal and be sure to check the oil level on the dipstick. Then, replenish the engine oil up to the prescribed level.



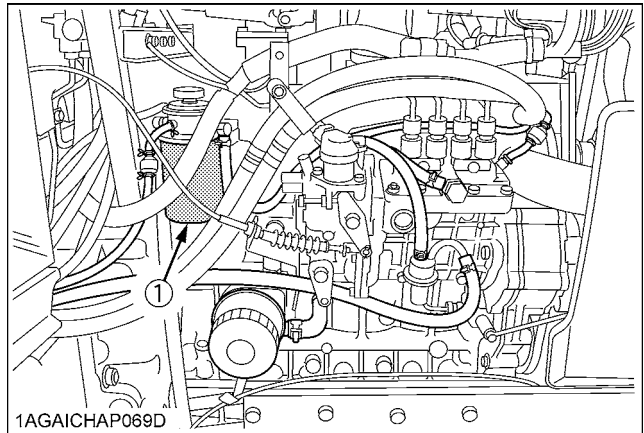
(1) Engine oil filter

IMPORTANT :

- To prevent serious damage to the engine, use only a KUBOTA genuine filter.

■ Replacing Fuel Filter

1. Remove the fuel filter.
2. Put a film of clean fuel on rubber seal of new filter.
3. Tighten the filter quickly until it contacts the mounting surface.
Tighten filter by hand an additional 1/2 turn only.
4. Bleed the fuel system.
(See "Bleeding Fuel System" in "SERVICE AS REQUIRED" in "PERIODIC SERVICE" section.)



(1) Fuel filter

■ Replacing Hydraulic Oil Filter

◆ Cleaning Magnetic Filter

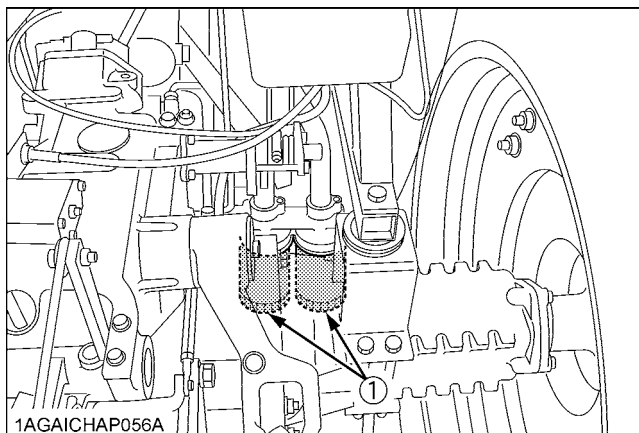


WARNING

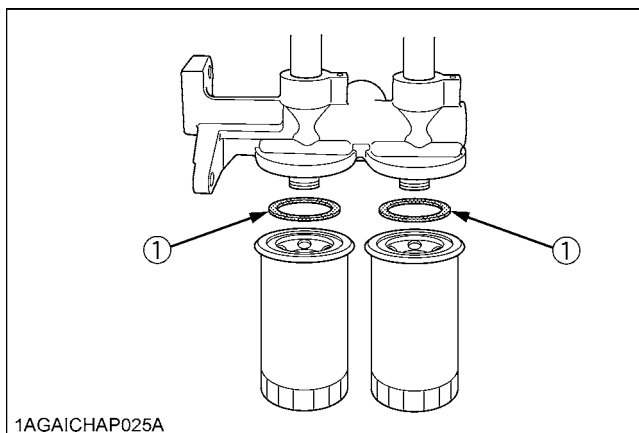
To avoid personal injury or death:

- Be sure to stop the engine before changing the oil filter cartridge.
- Allow engine to cool down sufficiently, oil can be hot and can burn.

1. Remove the 2 oil filters.
2. Clean off metal filings with clean rags at the magnetic filters.
3. Put a film of clean transmission oil on rubber seal of new filters.
4. Tighten the filter quickly until it contacts the mounting surface.
Tighten filter by hand an additional 1/2 turn only.
5. After the new filter has been replaced, the transmission fluid level will decrease a little. Make sure that the transmission fluid does not leak through the seal, and check the fluid level.
Top up if necessary.



(1) Hydraulic Oil filter



(1) Magnetic filter (Clean off metal filings)

IMPORTANT :

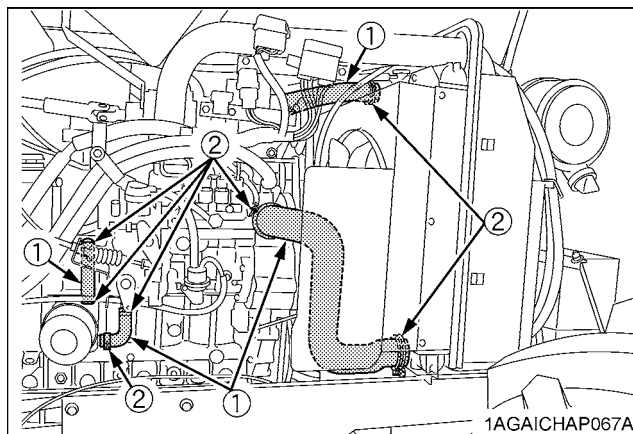
- To prevent serious damage to the hydraulic system, use only a KUBOTA genuine filter.

■ Checking Radiator Hose and Clamp

Check to see if radiator hoses are properly fixed every 500 hours of operation.

1. If hose clamps are loose or water leaks, tighten bands securely.
2. Replace hoses and tighten hose clamps securely, if radiator hoses are swollen, hardened or cracked.

Replace hoses and hose clamps every 4 years or earlier if checked and found that hoses are swollen, hardened or cracked.



- (1) Radiator hoses
- (2) Hose clamps

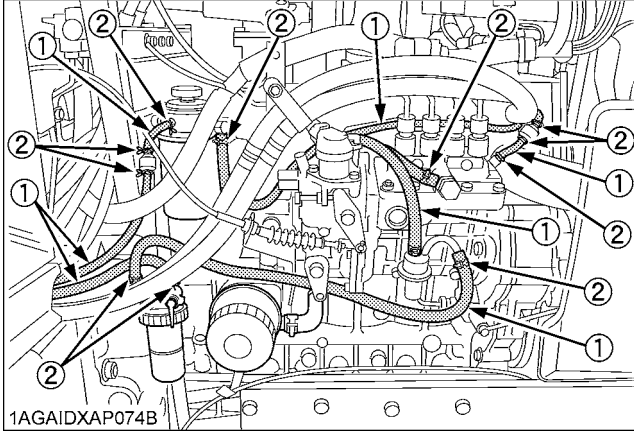
◆ Precaution at Overheating

Take the following actions in the event the coolant temperature is nearly or more than the boiling point, what is called "Overheating"

1. Park the tractor in a safe place and keep the engine unloaded idling.
2. Don't stop the engine suddenly, but stop it after about 5 minutes of unloaded idling.
3. Keep yourself well away from the machine for further 10 minutes or while the steam blows out.
4. Check that there are no dangers such as burns. Get rid of the causes of overheating according to the manual, see "TROUBLESHOOTING" section, and then, start again the engine.

■Checking Fuel Line

1. Check to see that all lines and hose clamps are tight and not damaged.
2. If hoses and clamps are found worn or damaged, replace or repair them at once.



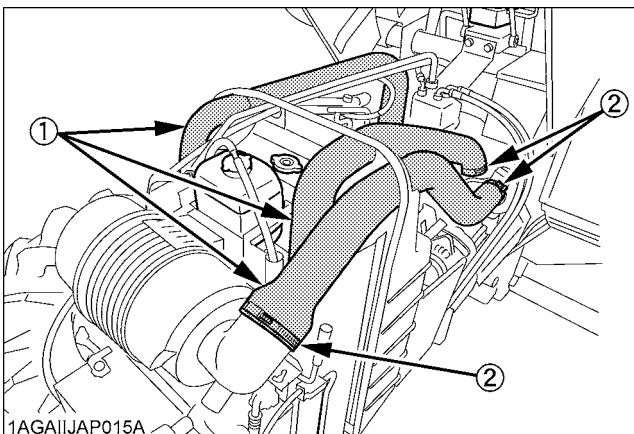
- (1) Fuel lines
- (2) Clamp bands

NOTE :

- If the fuel line is removed, be sure to properly bleed the fuel system.
(See "Bleeding Fuel System" in "SERVICE AS REQUIRED" in "PERIODIC SERVICE" section.)

■Checking Intake Air Line

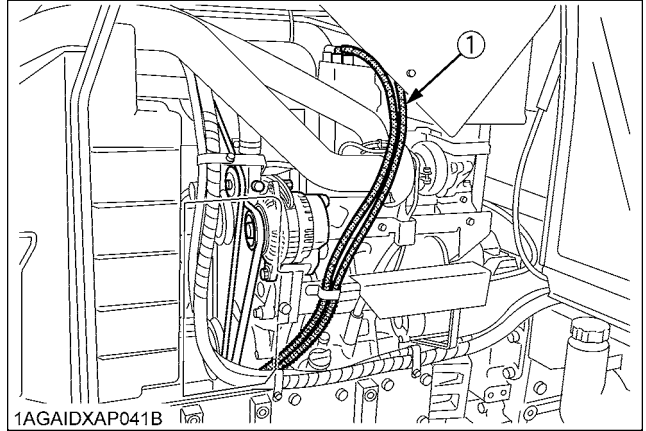
1. Check to see that hoses and hose clamps are tight and not damaged.
2. If hoses and clamps are found worn or damaged, replace or repair them at once.



- (1) Hose
- (2) Hose clamps

■Checking Power Steering Line

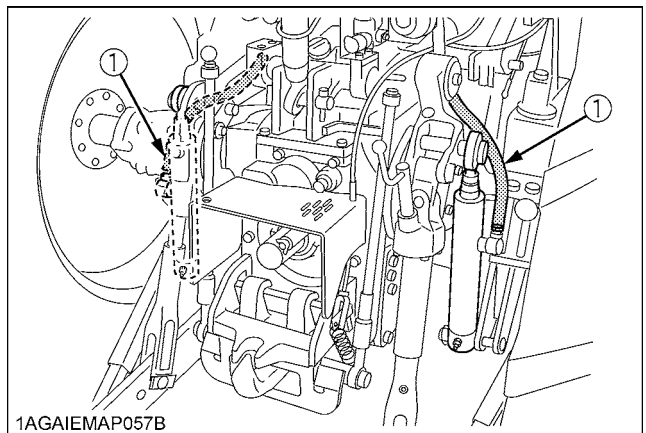
1. Check to see that all lines and hose clamps are tight and not damaged.
2. If hoses and clamps are found worn or damaged, replace or repair them at once.



- (1) Power steering pressure hoses

■Checking Assist Cylinder Hose

1. Check to see that all lines and hose clamps are tight and not damaged.
2. If hoses and clamps are found worn or damaged, replace or repair them at once.



- (1) Assist cylinder hose

3. Check to see that all lines and hose clamps are tight and not damaged.
4. If hoses and clamps are found worn or damaged, consult your local KUBOTA Dealer for this service.

■Checking Air-Conditioner Pipe and Hose

1. Check to see that all lines and hose clamps are tight and not damaged.
2. If hoses and clamps are found worn or damaged, consult your local KUBOTA Dealer for this service.

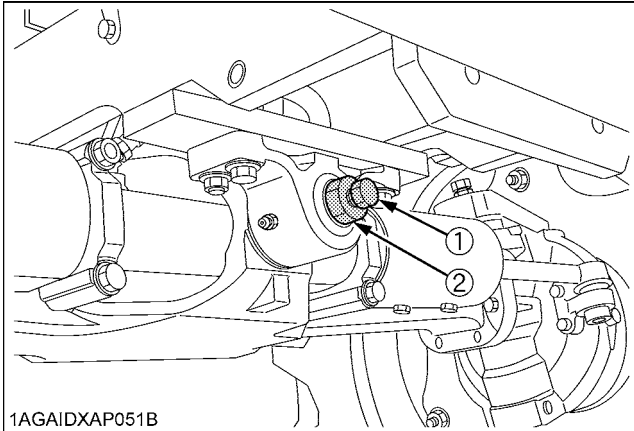
EVERY 600 HOURS

■ Adjusting Front Axle Pivot

If the front axle pivot pin adjustment is not correct, front wheel vibration can occur causing vibration in the steering wheel.

◆ Adjusting procedure

Loosen the lock nut, screw-in the adjusting screw until seated, then tighten the screw with an additional 1/6 turn. Re-tighten the lock nut.

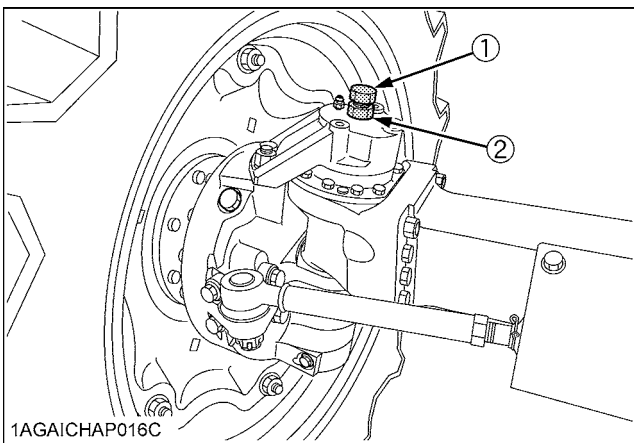


(1) Adjusting screw
(2) Lock nut

■ Adjusting King-pin Pivot

Loosen the lock nut and tighten the adjusting screw with following torque:

Adjusting screw	4.9 to 9.8 N-m, 0.5 to 1.0 kgf-m
Lock nut	98.1 to 147 N-m, 10 to 15 kgf-m



(1) Adjusting screw
(2) Lock nut

■ Changing Brake Oil

Consult your local KUBOTA Dealer for this service.

EVERY 1 000 HOURS

■ Changing Transmission Fluid



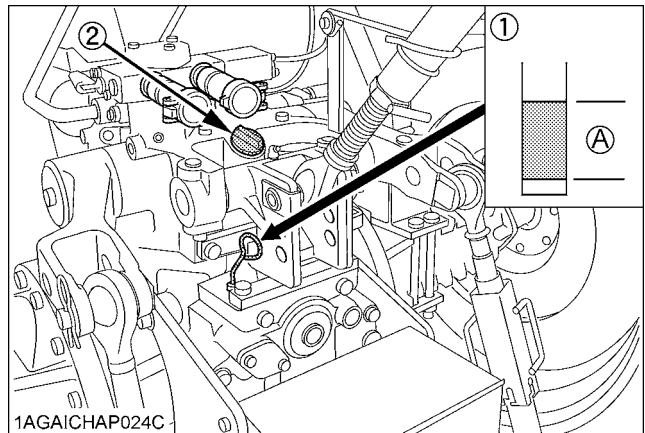
WARNING

To avoid personal injury or death:

- Allow engine to cool down sufficiently, oil can be hot and can burn.

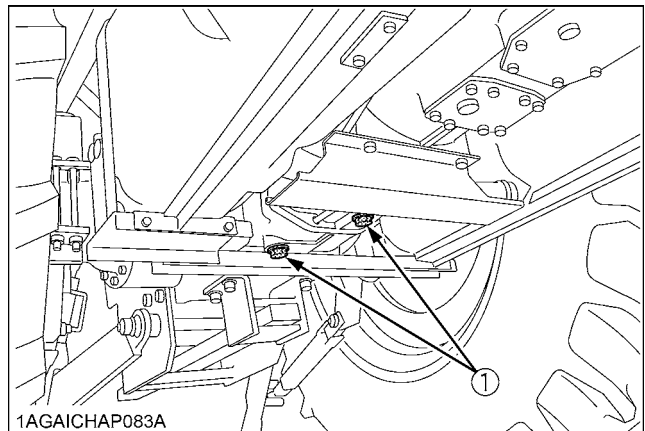
1. To drain the used oil, remove the drain plug at the bottom of the transmission case and drain the oil completely into the oil pan.
2. After draining reinstall the drain plug.
3. Fill with the new KUBOTA SUPER UDT fluid up to the upper notch on the dipstick.
(See "LUBRICANTS, FUEL AND COOLANT" in "MAINTENANCE" section.)
4. After running the engine for a few minutes, stop it and check the oil level again; add oil to prescribed level.

Oil capacity	60 L
--------------	------



(1) Dipstick
(2) Oil inlet

(A) Oil level is acceptable within this range.



(1) Drain plug

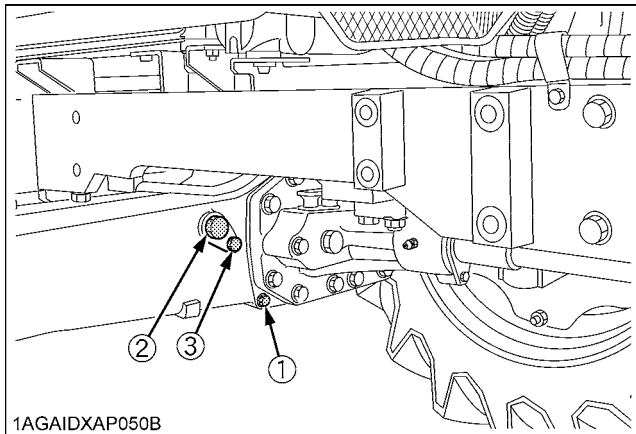
IMPORTANT :

- Do not operate the tractor immediately after changing the transmission fluid.
Run the engine at medium speed for a few minutes to prevent damage to the transmission.

Changing Front Differential Case Oil

1. To drain the used oil, remove the drain and filling plug at the front differential case and drain the oil completely into the oil pan.
2. After draining reinstall the drain plug.
3. Remove the oil level check plug.
4. Fill with the new oil up to the lower rim of check plug port.
(See "LUBRICANTS, FUEL AND COOLANT" in "MAINTENANCE" section.)
5. After filling reinstall the filling plug and check plug.

Oil capacity	7 L
--------------	-----

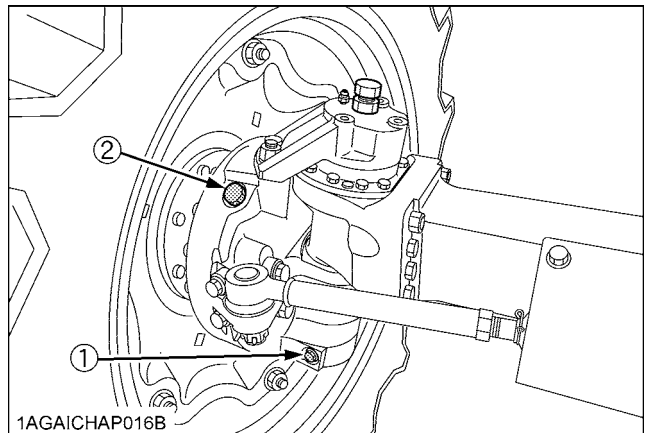


- (1) Drain plug
- (2) Filling plug
- (3) Check plug

Changing Front Axle Gear Case Oil

1. To drain the used oil, remove the right and left drain plugs and filling plugs at the front axle gear case and drain the oil completely into the oil pan.
2. After draining reinstall the drain plugs.
3. Fill with the new oil up to the filling plug port.
(See "LUBRICANTS, FUEL AND COOLANT" in "MAINTENANCE" section.)
4. After filling reinstall the filling plugs.

Oil capacity	3.5 L for each side
--------------	---------------------



- (1) Drain plug
- (2) Filling plug

Adjusting Engine Valve Clearance

Consult your local KUBOTA Dealer for this service.

EVERY 1 000 HOURS or 1 YEAR

Be sure to do the following servicing once every 1 000 hours or yearly, whichever comes first.

Replacing Air Cleaner Primary Element and Secondary Element

(See "Cleaning Air Cleaner Primary Element" in "EVERY 100 HOURS" in "PERIODIC SERVICE" section.)

EVERY 1 500 HOURS

Checking Fuel Injection Nozzle (Injection Pressure)

Consult your local KUBOTA Dealer for this service.

EVERY 2 000 HOURS or 2 YEARS

Be sure to do the following service once every 2000 hours or every 2 years whichever comes faster.

■ Flushing Cooling System and Changing Coolant



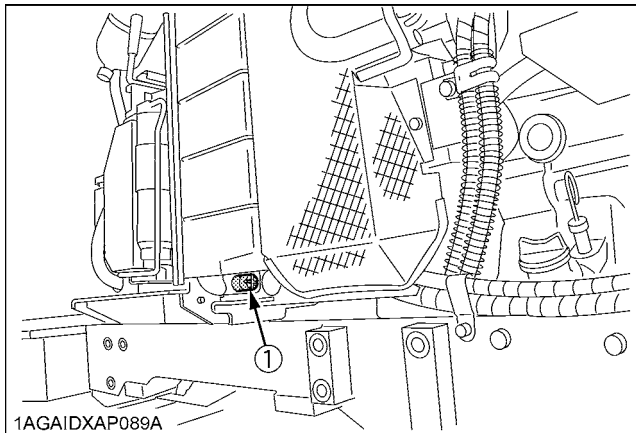
WARNING

To avoid personal injury or death:

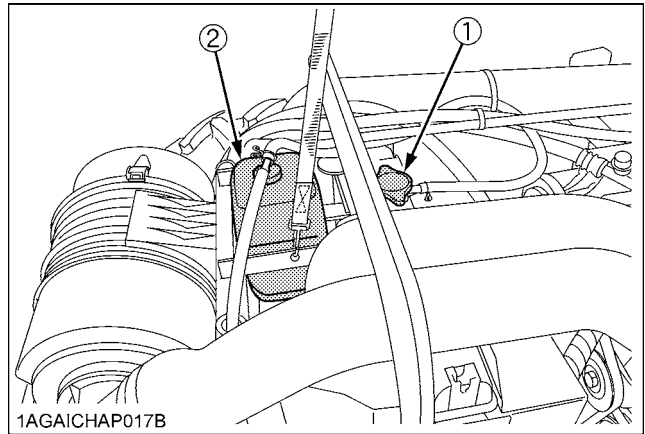
- Do not remove radiator cap while coolant is hot. When cool, slowly rotate cap to the first stop and allow sufficient time for excess pressure to escape before removing the cap completely.

1. Stop the engine, remove the key and let it cool down.
2. To drain the coolant, open the radiator drain plug and remove radiator cap. The radiator cap must be removed to completely drain the coolant.
3. After all coolant is drained, reinstall the drain plug.
4. Fill with clean soft water and cooling system cleaner.
5. Follow directions of the cleaner instruction.
6. After flushing, fill with clean soft water and anti-freeze until the coolant level is just below the radiator cap. Install the radiator cap securely.
7. Fill with coolant up to the "FULL" mark of recovery tank.
8. Start and operate the engine for few minutes.
9. Stop the engine, remove the key and let cool.
10. Check coolant level of recovery tank and add coolant if necessary.
11. Properly dispose of used coolant.

Coolant capacity	9.6 L
------------------	-------



(1) Drain plug ((+) Plus screwdriver)



(1) Radiator cap
(2) Recovery tank

IMPORTANT :

- Do not start engine without coolant.
- Use clean, fresh soft water and anti-freeze to fill the radiator and recovery tank.
- When mixing the anti-freeze with water, the anti-freeze mixing ratio is 50%.
- Securely tighten radiator cap. If the cap is loose or improperly fitted, water may leak out and the engine could overheat.

NOTE :

- On cab type machines, coolant circulates through the heater. This means that one more liter or so of coolant is required.

In changing coolant, pour coolant up to the filler port of the recovery tank. Turn ON the heater (shift the temperature control dial toward WARM), and run the engine for a while in order to warm coolant. Then stop the engine.

When coolant has cooled down, some of the coolant in the recovery tank is sucked. Now the recovery tank is appropriately filled with coolant.

■ **Anti-Freeze**



WARNING

To avoid personal injury or death:

- When using antifreeze, put on some protection such as rubber gloves (Antifreeze contains poison.).
- If it is swallowed, seek immediate medical help. Do NOT make a person throw up unless told to do so by poison control or a health care professional. Use standard first aid and CPR for signs of shock or cardiac arrest. Call your local Poison Control Center or your local emergency number for further assistance.
- When antifreeze comes in contact with the skin or clothing, wash it off immediately.
- Do not mix different types of Antifreeze. The mixture can produce chemical reaction causing harmful substances.
- Antifreeze is extremely flammable and explosive under certain conditions. Keep fire and children away from antifreeze.
- When draining fluids from the engine, place some container underneath the engine body.
- Do not pour waste onto the ground, down a drain, or into any water source.
- Also, observe the relevant environmental protection regulations when disposing of antifreeze.

Always use a 50/50 mix of long-life coolant and clean soft water in KUBOTA engines.

Consult your local KUBOTA Dealer concerning coolant for extreme conditions.

1. Long-life coolant (hereafter LLC) comes in several types. Use ethylene glycol (EG) type for this engine.
2. Before employing LLC-mixed cooling water, fill the radiator with fresh water and empty it again. Repeat this procedure 2 or 3 times to clean up the inside.
3. Mixing the LLC
Premix 50% LLC with 50% clean soft water. When mixing, stir it up well, and then fill into the radiator.
4. The procedure for the mixing of water and antifreeze differs according to the make of the antifreeze and the ambient temperature. Refer to SAE J1034 standard, more specifically also to SAE J814c.

Vol % Anti-freeze	Freezing Point °C	Boiling Point* °C
50	-37	108

* At 1.013 x 10⁵Pa (760mmHg) pressure (atmospheric). A higher boiling point is obtained by using a radiator pressure cap which permits the development of pressure within the cooling system.

5. Adding the LLC
 - (1) Add only water if the mixture reduces in amount by evaporation.
 - (2) If there is a mixture leak, add the LLC of the same manufacturer and type in the same mixture percentage.
 - * Never add any long-life coolant of different manufacturer. (Different brands may have different additive components, and the engine may fail to perform as specified.)
6. When the LLC is mixed, do not employ any radiator cleaning agent. The LLC contains anticorrosive agent. If mixed with the cleaning agent, sludge may build up, adversely affecting the engine parts.
7. Kubota's genuine long-life coolant has a service life of 2 years. Be sure to change the coolant every 2000 hours or every 2 years whichever comes faster.

NOTE :

- The above data represent industry standards that necessitate a minimum glycol content in the concentrated antifreeze.

EVERY 3 000 HOURS

■ **Checking Turbocharger**

Consult your local KUBOTA Dealer for this service.

■ **Checking Intake Air Heater**

Consult your local KUBOTA Dealer for this service.

EVERY 1 YEAR

■ **Checking CAB Isolation Cushion**

Check the cushion for any breakage or fatigue. Replace them if they are deteriorated.

EVERY 2 YEARS**■ Replacing Oil Cooler Line**

Consult your local KUBOTA Dealer for this service.

■ Replacing Brake Hose

Consult your local KUBOTA Dealer for this service.

EVERY 3 YEARS**■ Replacing Parking Brake Cable**

Consult your local KUBOTA Dealer for this service.

EVERY 4 YEARS**■ Replacing Radiator Hose (Water pipes)**

Replace the hoses and clamps.

(See "Checking Radiator Hose and Clamp" in "EVERY 500 HOURS" in "PERIODIC SERVICE" section.)

■ Replacing Fuel Hose

Consult your local KUBOTA Dealer for this service.

■ Replacing Power Steering Hose

Consult your local KUBOTA Dealer for this service.

■ Replacing Intake Air Line

(See "Checking Intake Air Line" in "EVERY 500 HOURS" in "PERIODIC SERVICE" section.)

■ Replacing Master Cylinder Kit

Consult your local KUBOTA Dealer for this service.

■ Replacing Equalizer Kit

Consult your local KUBOTA Dealer for this service.

■ Replacing Brake Seal 1 and 2

Consult your local KUBOTA Dealer for this service.

■ Replacing Assist Cylinder Hose

Consult your local KUBOTA Dealer for this service.

■ Replacing Air Conditioner Hose

Consult your local KUBOTA Dealer for this service.

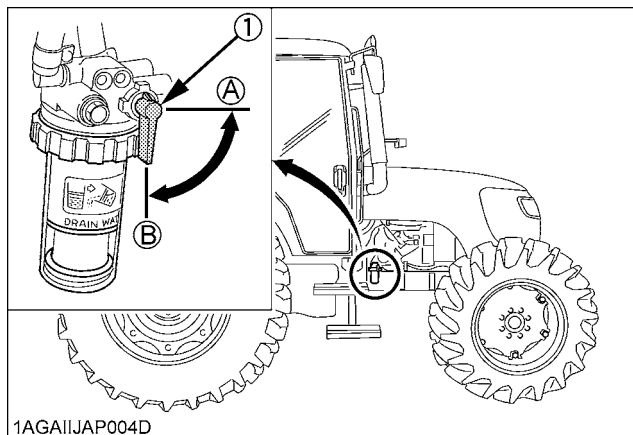
SERVICE AS REQUIRED**■ Bleeding Fuel System**

Air must be removed:

1. When the fuel filter or lines are removed.
2. When water is drained from water separator.
3. When tank is completely empty.
4. After the tractor has not been used for a long period of time.

◆ Bleeding procedure is as follows:

1. Fill the fuel tank with fuel, and open the fuel shutoff-valve.

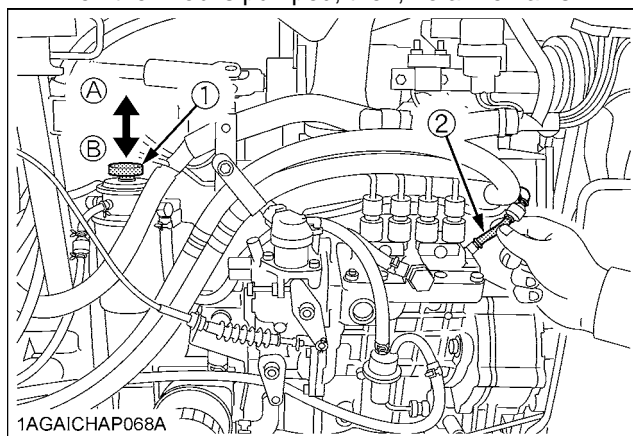


(1) Fuel shutoff-valve

(A) "CLOSE"

(B) "OPEN"

2. Pump the fuel pump knob (1) located on the top of the fuel filter. The fuel pump knob will pump easily at first and with added resistance as air is purged from the system. To make sure air is completely purged, pinch the fuel overflow hose with fingers, if a pulsation is felt when the knob is pumped, then, no air remains.



(1) Fuel pump knob

(A) "UP"

(2) Fuel overflow hose

(B) "DOWN"

- Set the hand throttle lever at the maximum speed position, turn the key switch to start the engine and then reset the throttle lever at the mid speed (around 1500 rpm) position.

If engine doesn't start, try it several times at 30 second intervals.

IMPORTANT :

- Do not hold key switch at engine start position for more than 10 seconds continuously. If more engine cranking is needed, try again after 30 seconds.

- Accelerate the engine to remove the small portion of air left in the fuel system.
- If air still remains and the engine stops, repeat the above steps.

■ Bleeding Brake System

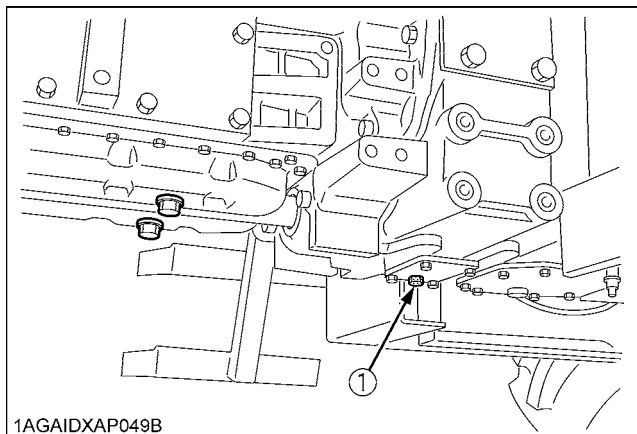
Consult your local KUBOTA Dealer for this service.

■ Draining Clutch Housing Water

The tractor is equipped with a drain plug under the clutch housing.

After operating in rain, snow or if the tractor has been washed, water may get into the clutch housing.

Remove the drain plug and drain the water, then install the plug again.



1AGAIDXAP049B

(1) Water drain plug

■ Replacing Fuse

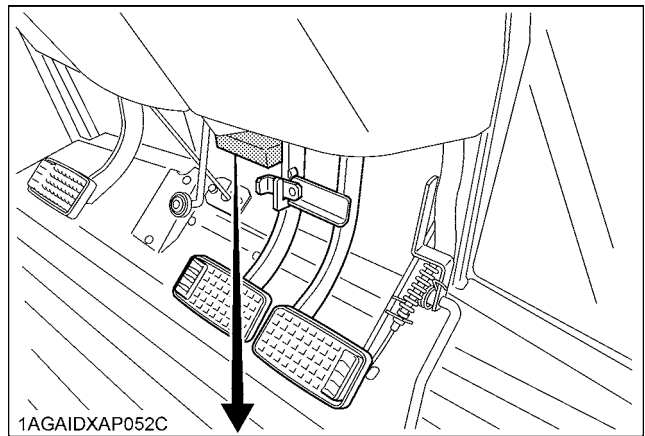
The tractor electrical system is protected from potential damage by fuses.

A blown fuse indicates that there is an overload or short somewhere in the electrical system.

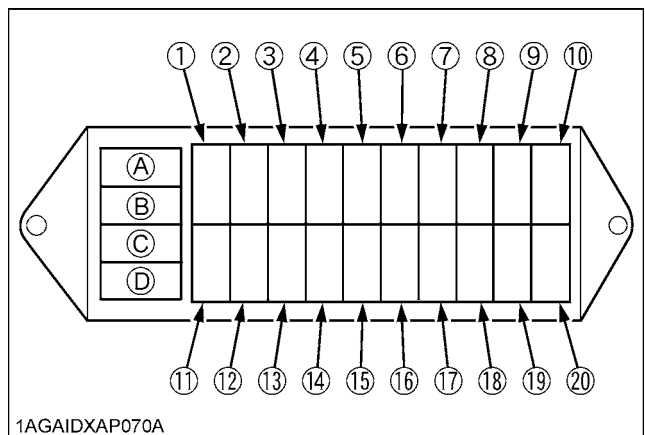
If any of the fuses should blow, replace with a new one of the same capacity.

IMPORTANT :

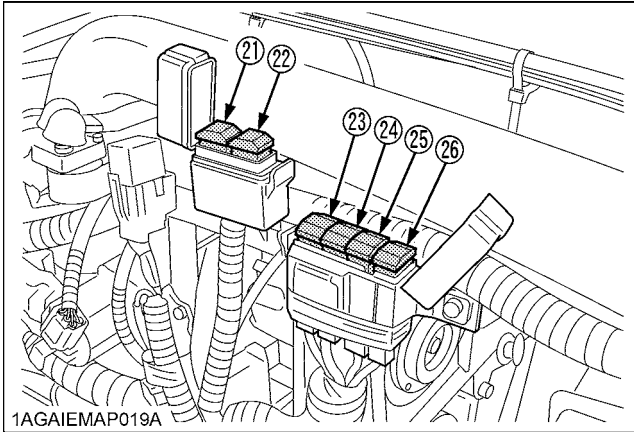
- Before replacing a blown fuse, determine why the fuse blew and make any necessary repairs. Failure to follow this procedure may result in serious damage to the tractor electrical system. Refer to the "TROUBLESHOOTING" section of this manual or your local KUBOTA Dealer for specific information dealing with electrical problems.



1AGAIDXAP052C

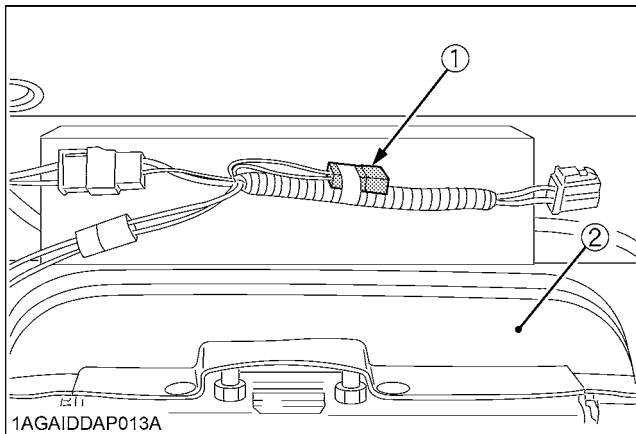


1AGAIDXAP070A



FUSE No.	CAPACITY (A)	Protected circuit
(1)	5A	Meter backup
(2)	15A	Flasher (Hazard)
(3)	15A	Dome light, Brake lamp
(4)	15A	Head light
(5)	25A	Auxiliary power
(6)	15A	Tail / Position lamp, Horn
(7)	10A	Air conditioner compressor, Front side work light
(8)	25A	Air conditioner (Fan motor)
(9)	15A	Front work light
(10)	15A	Rear work light
(11)	5A	Engine, PTO(Power Take Off), Alternator
(12)	5A	Meter panel, Buzzer
(13)	10A	Turn signal
(14)	10A	Transmission control
(15)	5A	Air conditioner, Auxiliary control
(16)	15A	Wiper
(17)	10A	Beacon
(18)	5A	Audio (Radio)
(19)	15A	Cigarette lighter
(20)	5A	Starter relay
(21)	30A	Main key
(22)	30A	Auxiliary Power
(23)	120A	Charge
(24)	120A	Heater
(25)	60A	Head light, Flasher, Dome light
(26)	60A	Air conditioner (Fan motor)
(A)	25A	Spare
(B)	15A	
(C)	10A	
(D)	5A	

◆ Air suspension seat



(1) Fuse (15 A)
(2) Seat

■ Replacing Light Bulb

1. Head light
Take the bulb out of the light body and replace with a new one.
2. Other lights
Detach the lens and replace the bulb.

Light	Capacity
Head light	60 / 55 W
Tail light	10 W
Turn signal / hazard light (Front)	21 W
Turn signal / hazard light (Rear)	21 W
Brake stop light	21 W
Front work light (Front side)	21 W
Work light	55 W
Dome light (room lamp)	10 W
Sidemarket light	10 W

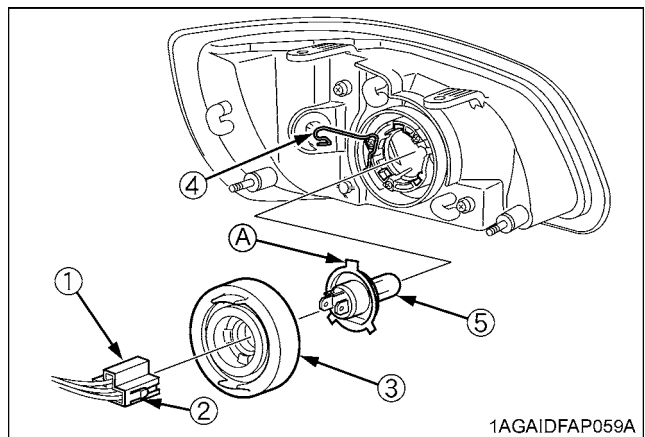
■ Replacing Head Lamp

CAUTION

To avoid personal injury:

- Be careful not to drop the bulb, hit anything against the lamp, apply excess force, and get the lamp scratched. If broken, glass may cause injury. Pay more attention to halogen lamps in particular, which have high pressure inside.
- Before replacing the lamp, be sure to turn off the light and wait until the bulb cools down, otherwise, you may get burned.

1. While pushing the right and left lock buttons, pull and remove the electrical connector.
2. Remove the rubber boot.
3. Remove the clamping fixture and take out the bulb.
4. Replace with a new bulb and reinstall the head lamp assembly in the reverse order.

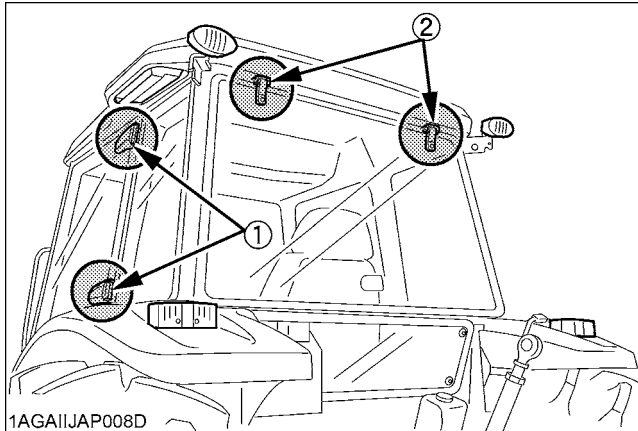


(1) Electrical connector (A) "Base's wider projection to face upward"
(2) Lock buttons
(3) Rubber boot
(4) Clamping fixture
(5) Bulb

IMPORTANT :

- Be sure to use a new bulb of the specified wattage.
- Never touch the bulb surface (glass) with bare hands. Fingerprints, for example, may break the bulb.

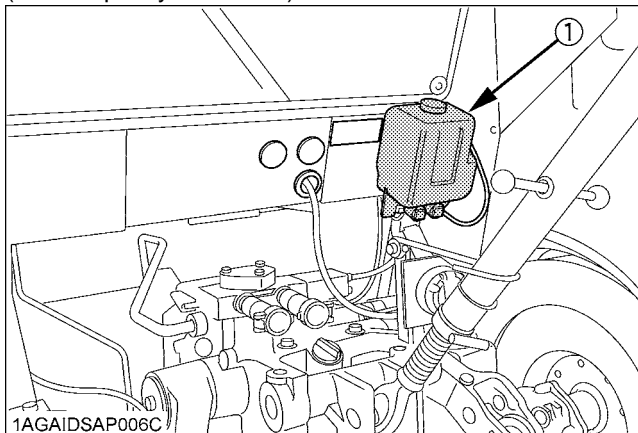
■ Lubricating Points



- (1) Door hinge
- (2) Rear window hinge

■ Adding Washer Liquid

Add a proper amount of automobile washer liquid.
(Tank capacity: 1.3 liters.)



- (1) Washer liquid tank

■ Checking the Amount of Refrigerant (gas)

⚠ WARNING

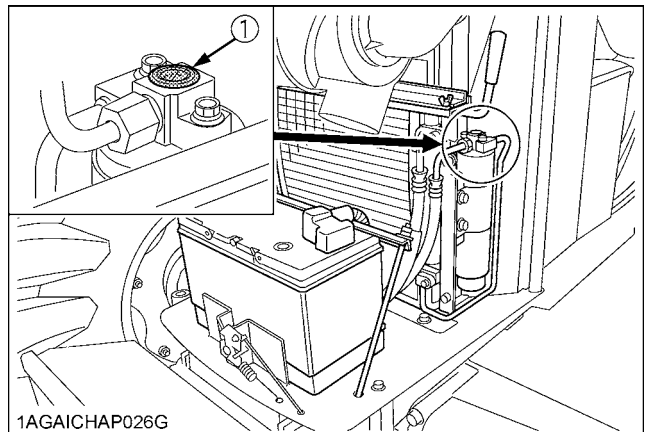
To avoid personal injury or death:

- Liquid contact with eyes or skin may cause frostbite.
- In the event of a leakage, wear safety goggles. Escaping refrigerant can cause severe injuries to eyes.
- In contact with a flame, R134a refrigerant gives a toxic gas.
- Do not disconnect any part of the refrigeration circuit of the air conditioning system. Consult your local KUBOTA Dealer for assistance and service.

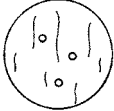
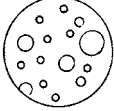
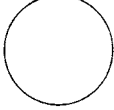
A shortage of refrigerant impairs the air-conditioner performance. Check the following points. If it is indicated that the amount of refrigerant is extremely low, ask your dealer to inspect and charge.

◆ Checking procedure

1. Run the air-conditioner in the following conditions.
 - Engine speed: About 1500 rpm
 - Temperature control dial: Maximum cooling position
 - Fan switch: Highest blow (HI)
 - Air-conditioner switch: ON
2. Look into the sight glass to see if the refrigerant is flowing through its circuit.



- (1) Sight glass

	Proper	Little or no air bubbles in the refrigerant flow.
	Low	Lots of air bubbles in the refrigerant flow (air bubbles or foam passing continuously).
	Overfull or no refrigerant	Colorless and transparent.

1AGAMA0AP077A

IMPORTANT :

- Charge only with R134a not R12 refrigerant (gas).

STORAGE



WARNING

To avoid personal injury or death:

- Do not clean the machine while the engine is running.
- To avoid the danger of exhaust fume poisoning, do not operate the engine in a closed building without proper ventilation.
- When storing, remove the key from the key switch to avoid unauthorized persons from operating the tractor and getting injured.

TRACTOR STORAGE

If you intend to store your tractor for an extended period of time, follow the procedures outlined below.

These procedures will insure that the tractor is ready to operate with minimum preparation when it is removed from storage.

1. Check the bolts and nuts for looseness, and tighten if necessary.
2. Apply grease to tractor areas where bare metal will rust also to pivot areas.
3. Detach the weights from the tractor body.
4. Inflate the tires to a pressure a little higher than usual.
5. Change the engine oil and run the engine to circulate oil throughout the engine block and internal moving parts for about 5 minutes.
6. Keep the PTO clutch control lever at "DISENGAGE" position while tractor is stored for a long period of time.
7. With all implements lowered to the ground, coat any exposed hydraulic cylinder piston rods with grease.
8. Remove the battery from the tractor. Store the battery following the battery storage procedures.
(See "Checking Battery Condition" in "EVERY 100 HOURS" in "PERIODIC SERVICE" section.)
9. Keep the tractor in a dry place where the tractor is sheltered from the elements. Cover the tractor.
10. Store the tractor indoors in a dry area that is protected from sunlight and excessive heat. If the tractor must be stored outdoors, cover it with a waterproof tarpaulin.
Jack the tractor up and place blocks under the front and rear axles so that all 4 tires are off the ground. Keep the tires out of direct sunlight and extreme heat.

IMPORTANT :

- When washing the tractor, be sure to stop the engine. Allow sufficient time for the engine to cool before washing.
- Cover the tractor after the muffler and the engine have cooled down.

REMOVING THE TRACTOR FROM STORAGE

1. Check the tire air pressure and inflate the tires if they are low.
2. Jack the tractor up and remove the support blocks from under the front and rear axles.
3. Install the battery. Before installing the battery, be sure it is fully charged.
4. Check the fan belt tension.
5. Check all fluid levels (engine oil, transmission/hydraulic oil, engine coolant and any attached implements).
6. Start the engine. Observe all gauges. If all gauges are functioning properly and reading normal, move the tractor outside. Once outside, park the tractor and let the engine idle for at least 5 minutes. Shut the engine off and walk around tractor and make a visual inspection looking for evidence of oil or water leaks.
7. With the engine fully warmed up, release the parking brake and test the brakes for proper adjustment as you move forward. Adjust the brakes as necessary.

TROUBLESHOOTING

ENGINE TROUBLESHOOTING

If something is wrong with the engine, refer to the table below for the cause and its corrective measure.

Trouble		Cause	Countermeasure
Engine is difficult to start or won't start.		<ul style="list-style-type: none"> No fuel flow. 	<ul style="list-style-type: none"> Check the fuel tank and the fuel filter. Replace filter if necessary.
		<ul style="list-style-type: none"> Air or water is in the fuel system. 	<ul style="list-style-type: none"> Check to see if the fuel line coupler bolt and nut are tight. Bleed the fuel system (See "Bleeding Fuel System" in "SERVICE AS REQUIRED" in "PERIODIC SERVICE" section.)
		<ul style="list-style-type: none"> In winter, oil viscosity increases, and engine revolution is slow. 	<ul style="list-style-type: none"> Use oils of different viscosities, depending on ambient temperatures. Use engine block heater (Optional)
		<ul style="list-style-type: none"> Battery becomes weak and the engine does not turn over quick enough. 	<ul style="list-style-type: none"> Clean battery cables & terminals. Charge the battery. In cold weather, always remove the battery from the engine, charge and store it indoors. Install it on the tractor only when the tractor is going to be used.
		<ul style="list-style-type: none"> Intake air heater system trouble. 	<ul style="list-style-type: none"> Check to see if the slow blow fuse of the intake air heater blows. Check to see if the intake air heater functions in cold weather.
Insufficient engine power.		<ul style="list-style-type: none"> Insufficient or dirty fuel. The air cleaner is clogged. 	<ul style="list-style-type: none"> Check the fuel system. Clean or replace the element.
Engine stops suddenly.		<ul style="list-style-type: none"> Insufficient fuel. 	<ul style="list-style-type: none"> Refuel. Bleed the fuel system if necessary.
Exhaust fumes are colored.	Black	<ul style="list-style-type: none"> Fuel quality is poor. Too much oil. The air cleaner is clogged. 	<ul style="list-style-type: none"> Change the fuel and fuel filter. Check the proper amount of oil. Clean or replace the element.
	Blue white	<ul style="list-style-type: none"> The inside of exhaust muffler is damp with fuel. Injection nozzle trouble. Fuel quality is poor. 	<ul style="list-style-type: none"> Check to see if the intake air heater functions in cold weather. Heat the muffler by applying load to the engine. Check the injection nozzle. Change the fuel and fuel filter.
Engine overheats		<ul style="list-style-type: none"> Engine overloaded 	<ul style="list-style-type: none"> Shift to lower gear or reduce load.
		<ul style="list-style-type: none"> Low coolant level 	<ul style="list-style-type: none"> Fill cooling system to the correct level; check radiator and hoses for loose connections or leaks.
		<ul style="list-style-type: none"> Loose or defective fan belt 	<ul style="list-style-type: none"> Adjust or replace fan belt.
		<ul style="list-style-type: none"> Dirty radiator core or grille screens 	<ul style="list-style-type: none"> Remove all trash.
		<ul style="list-style-type: none"> Coolant flow route corroded 	<ul style="list-style-type: none"> Flush cooling system.

If you have any questions, contact your local KUBOTA Dealer.

OPTIONS

Consult your local KUBOTA Dealer for further details.

- Engine Block Heater
For extremely cold weather starting
- Double Acting Remote Hydraulic Control Valve with
Detents and Self-Cancelling
- Flow Control Valve Kit
- Double Acting Remote Hydraulic Control Valve with
Detents and Self-Cancelling for Flow Control Valve
- Double Acting Remote Hydraulic Control Valve with
Float Position
- Front end weights
For front ballast
- Rear Wheel Weights
For rear ballast
- Creep Speed Kit
- 80" Wide Axle
- Fuel Tank Guard Kit
- Rear Cast Iron Disk